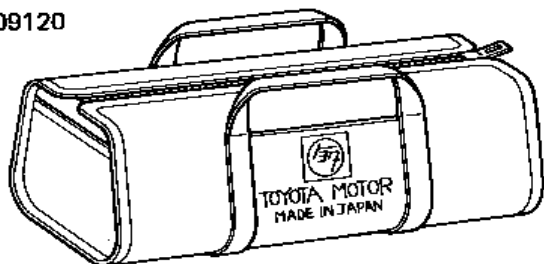


※2(8308-) Excluded out of P.N.C 09101

09101

09120

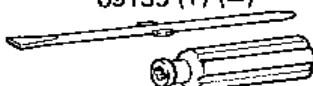


※1 W/ FREE WHEEL HUB

09130



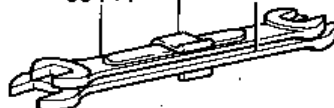
09135 (+) (-)



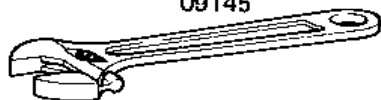
09140

09141

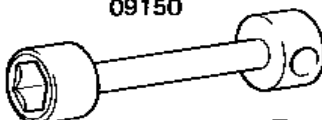
09141



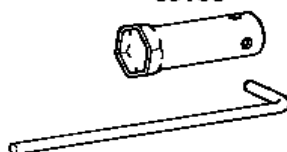
09145



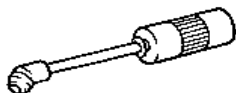
09150



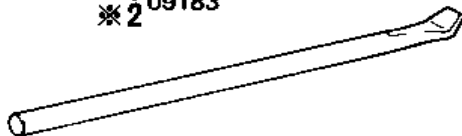
09155



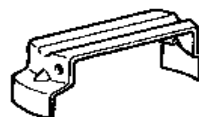
※2 09173



※1
※2 09183

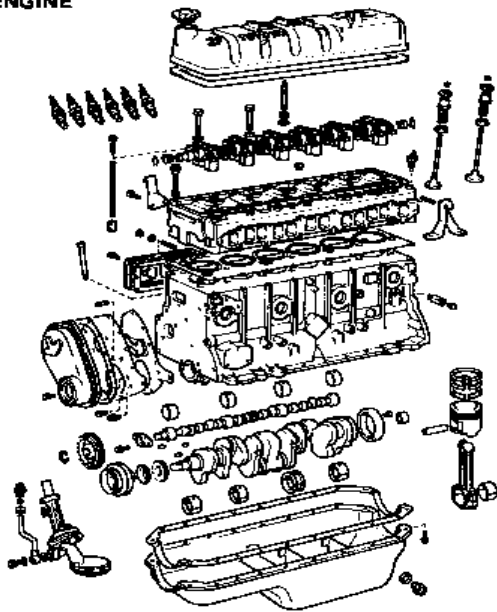


※1
※2 09183A



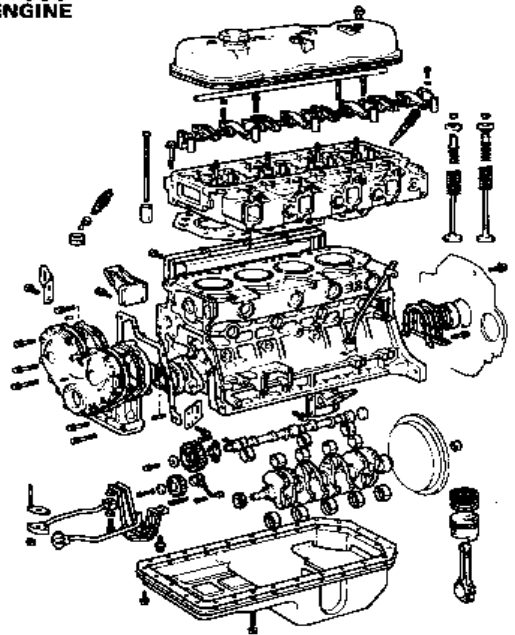
2F

11000
ENGINE



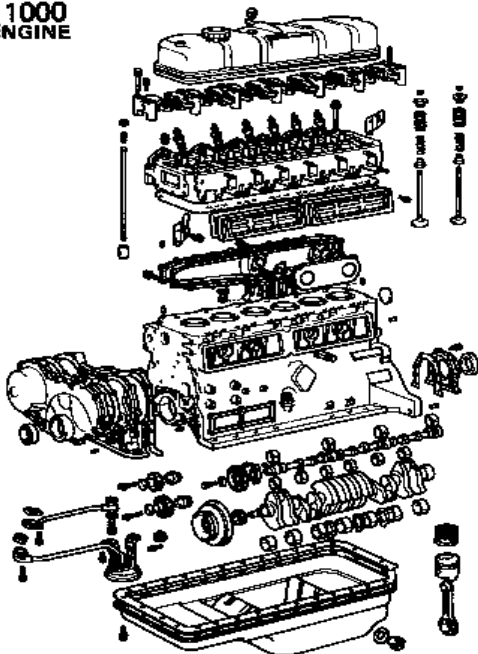
B, 3B

11000
ENGINE



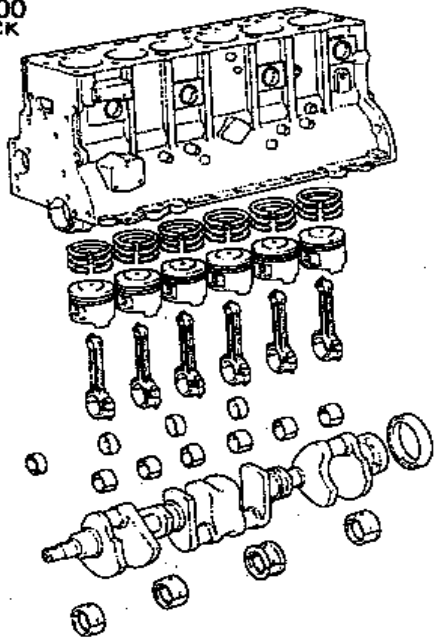
2H

11000
ENGINE



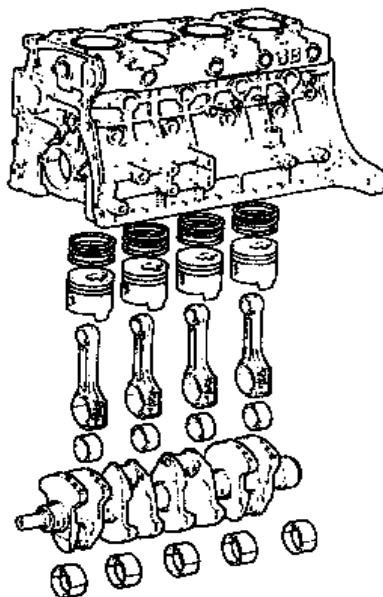
2F

11400
BLOCK



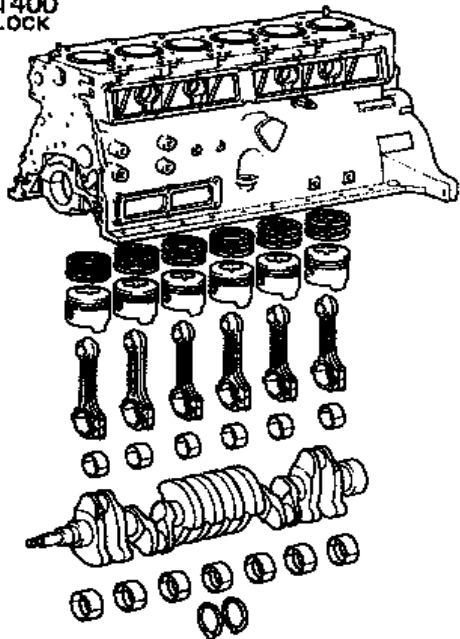
B, 3B

11400
BLOCK



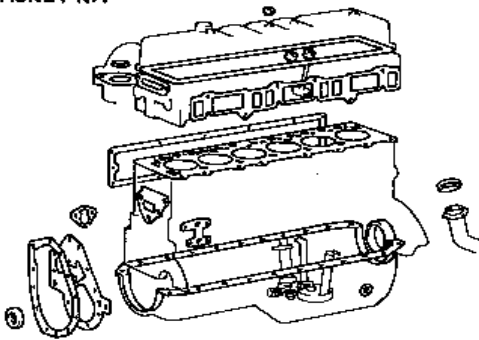
2H

11400
BLOCK

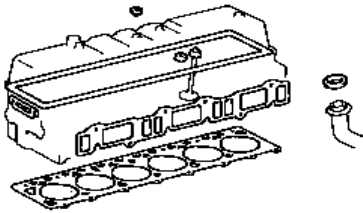


2F

11000K
GASKET KIT

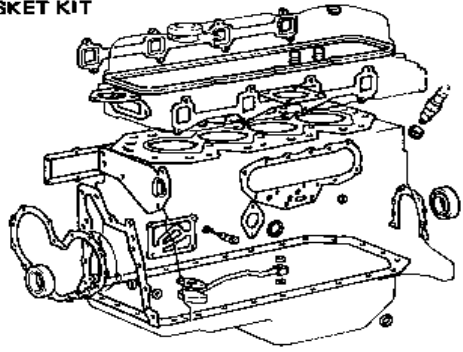


11101K
GASKET KIT

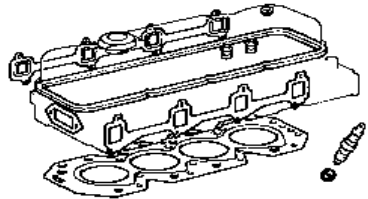


B, 3B

11000K
GASKET KIT

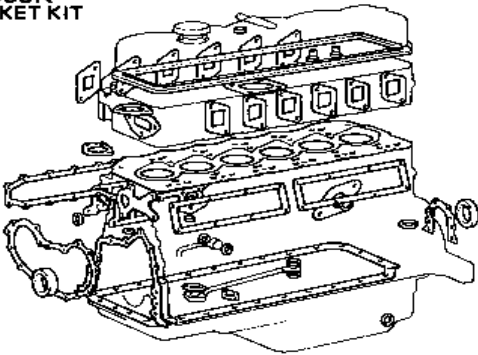


11101K
GASKET KIT

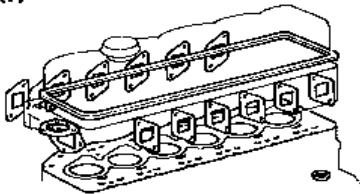


2H

11000K
GASKET KIT



11101K
GASKET KIT



11201
COVER

11201A
NUT

Refer to
FIG. 17-09

Refer to
FIG. 17-09

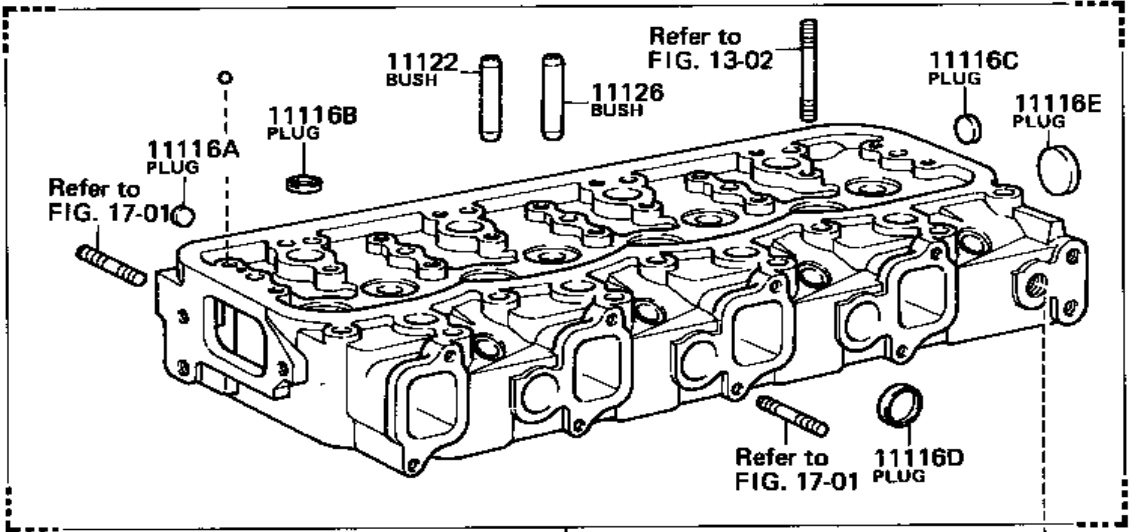
12108
CAP

12108A
GASKET

11201B
WASHER

11101A
BOLT

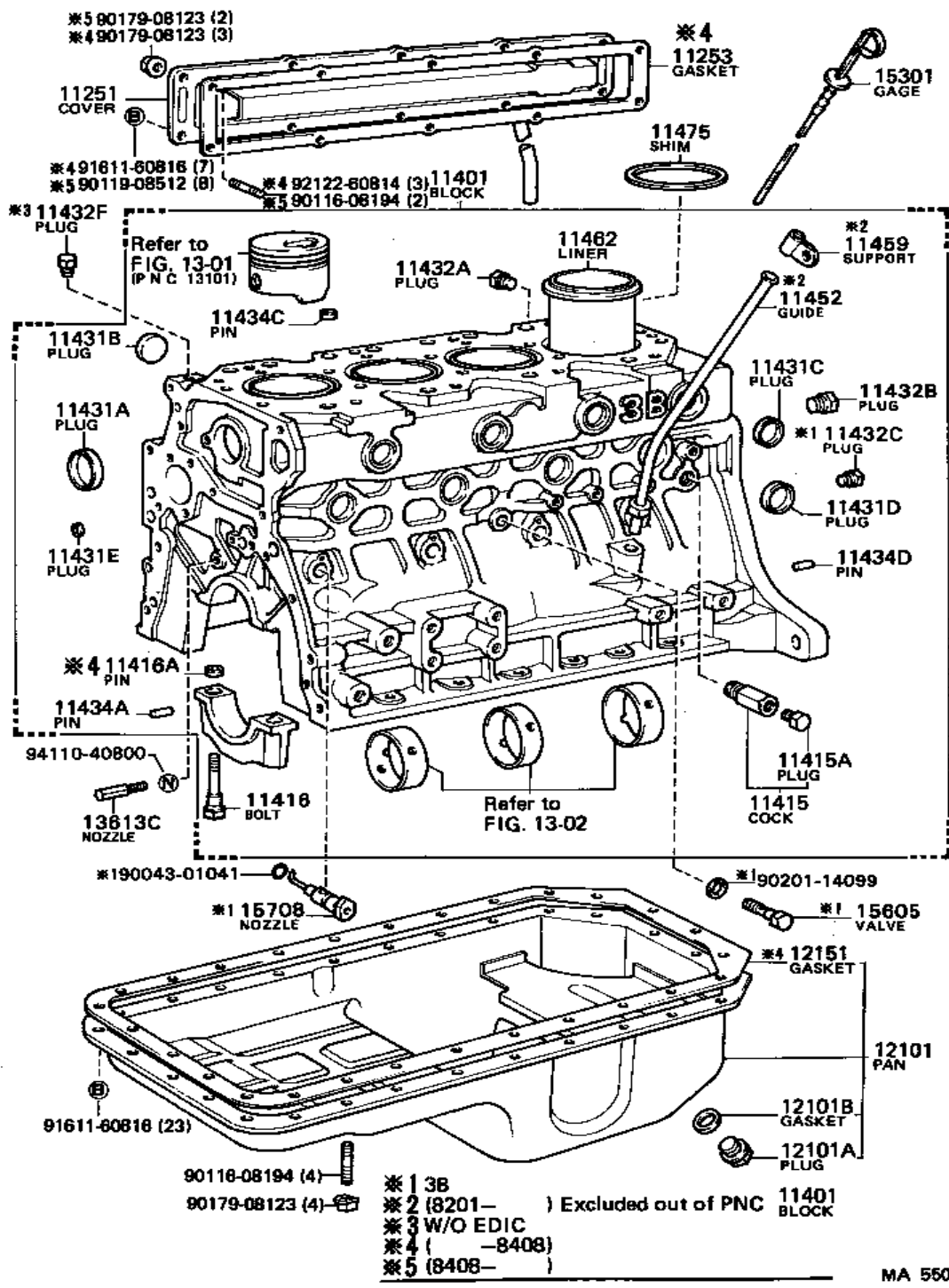
11213
GASKET

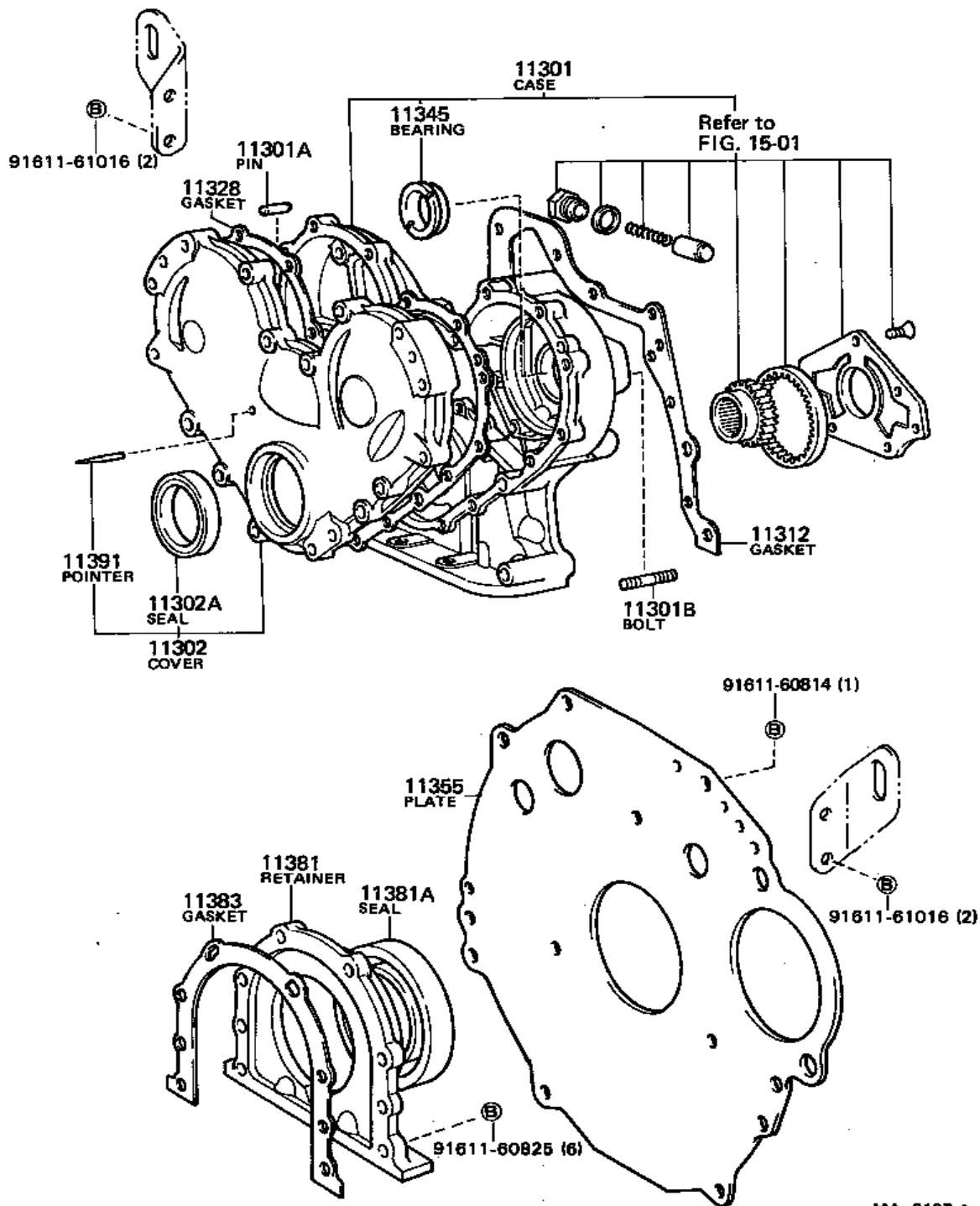


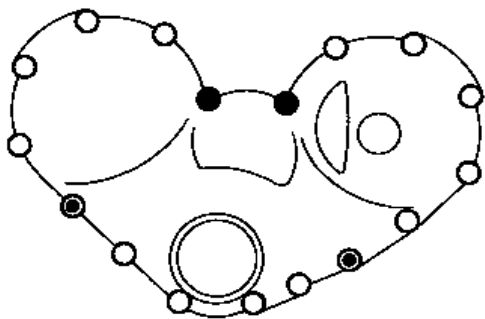
11101
HEAD


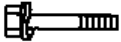
11117A
PLUG

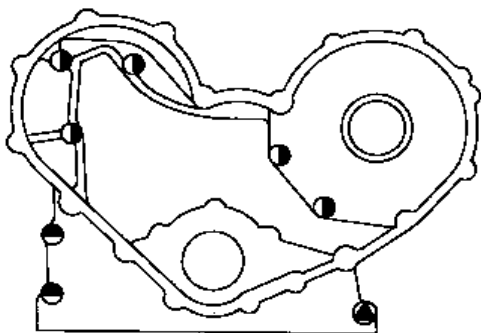
11115
GASKET

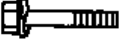




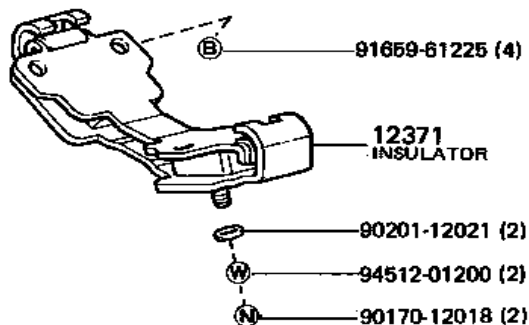
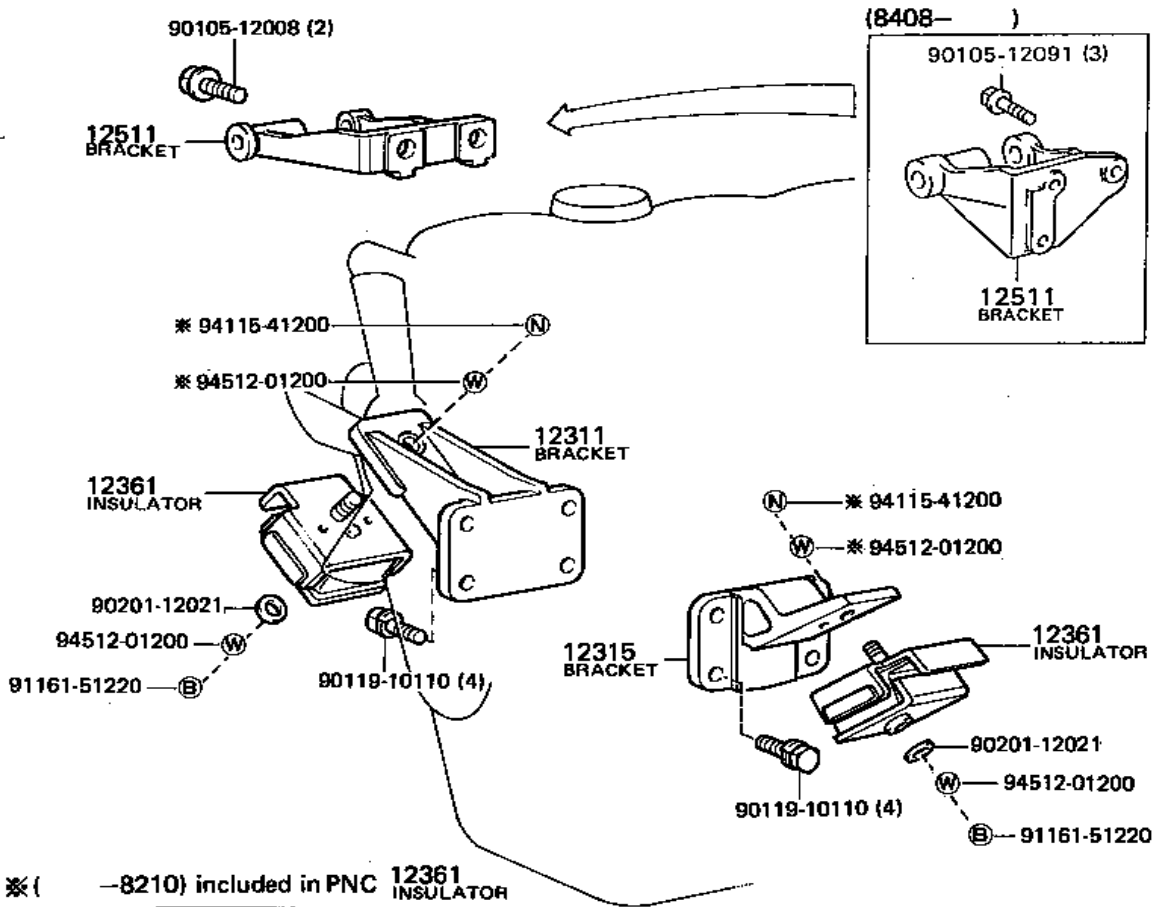


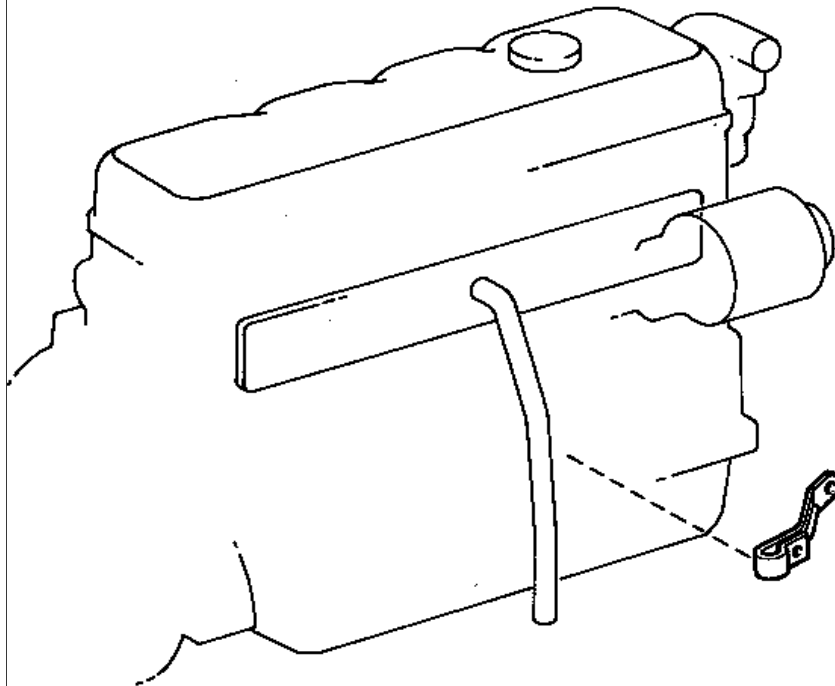
○	Ⓟ	91611-60835 (13)
●		90119-08145 (2)
●		90119-10073 (2)



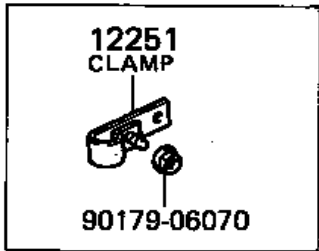
○	Ⓟ	91611-60825 (5)
●	Ⓟ	91611-61060 (2)
●		90119-10073 (1)

MA 6198



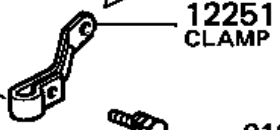


(8111-)



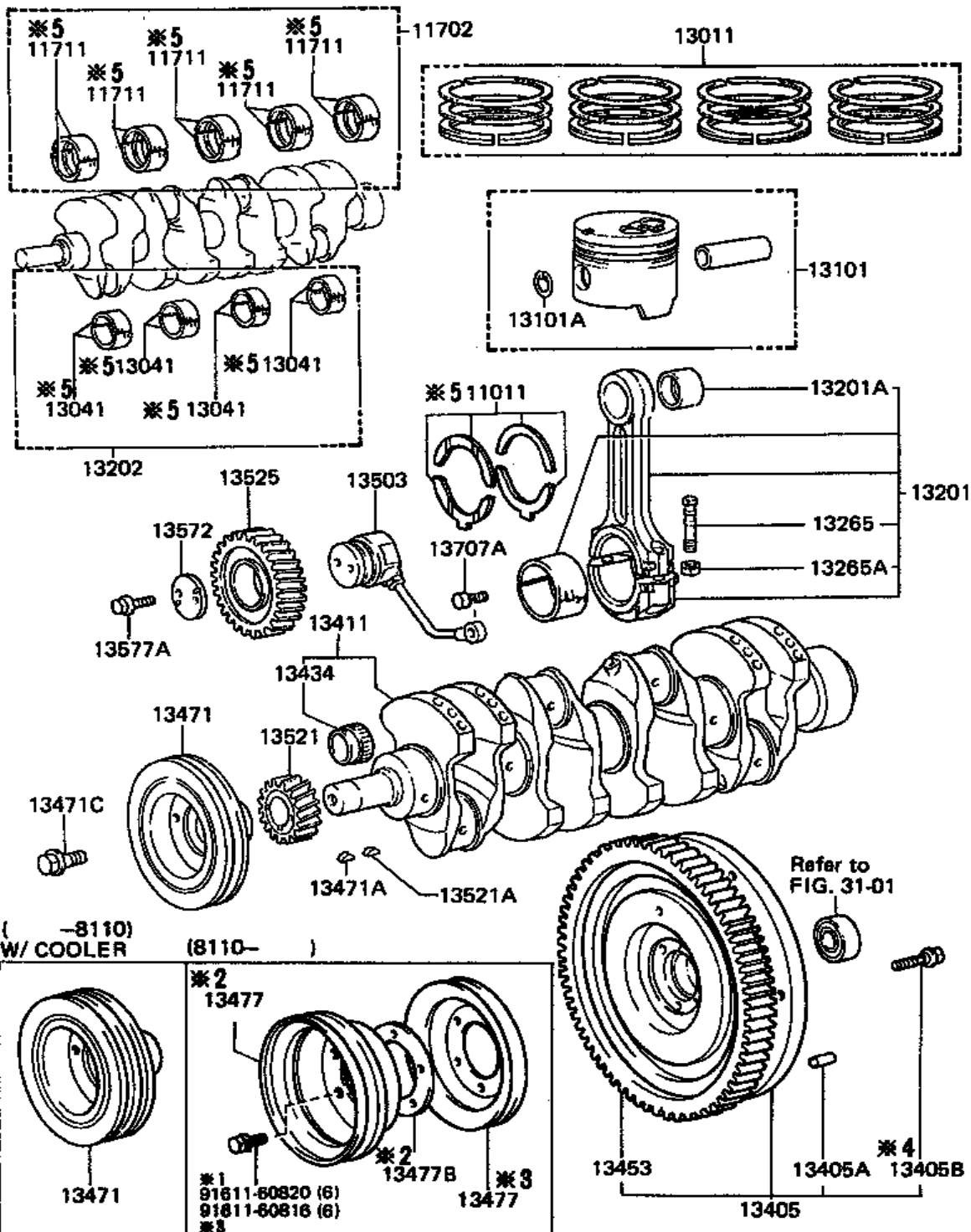
12251
CLAMP

90179-06070



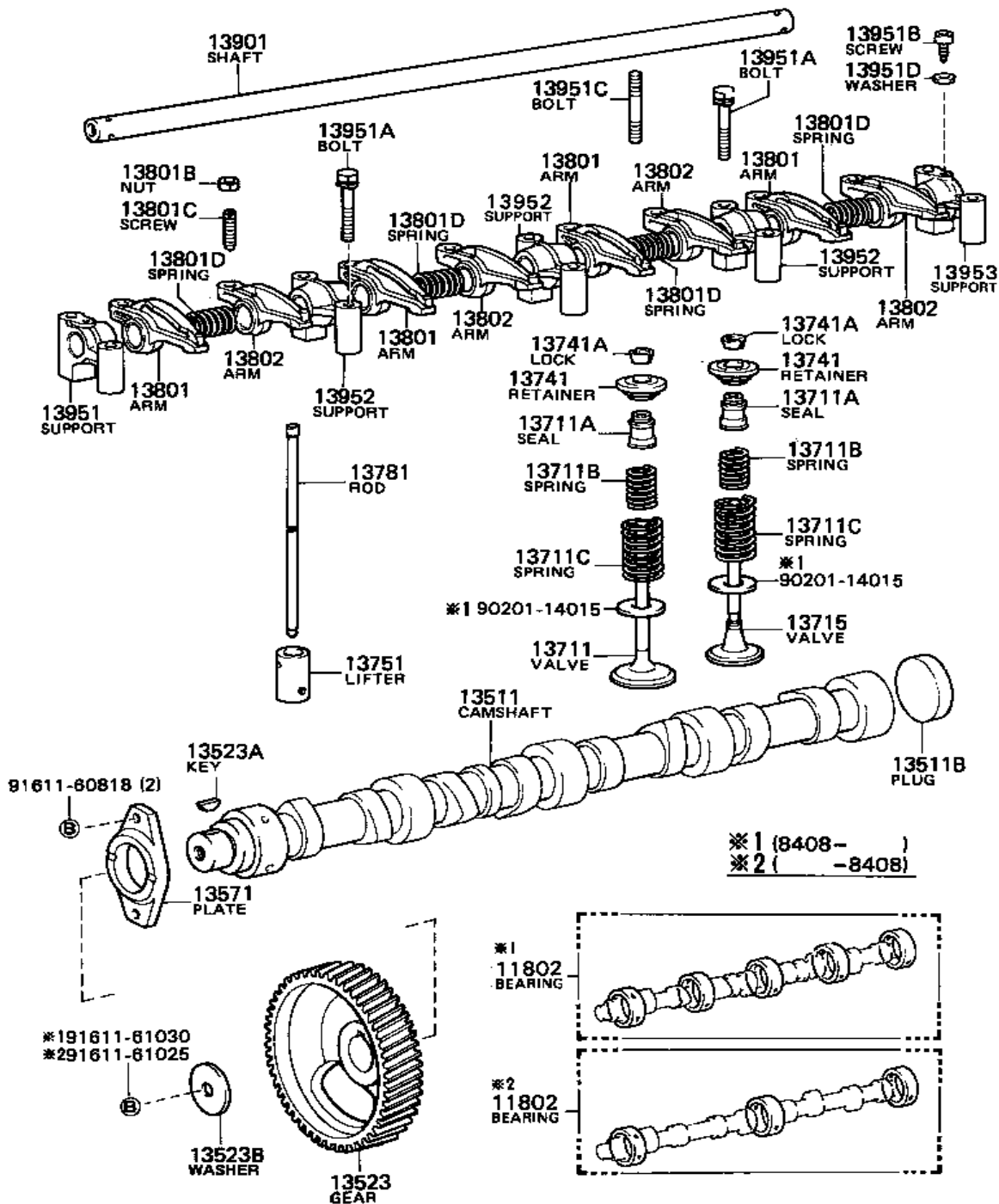
12251
CLAMP

91651-40625

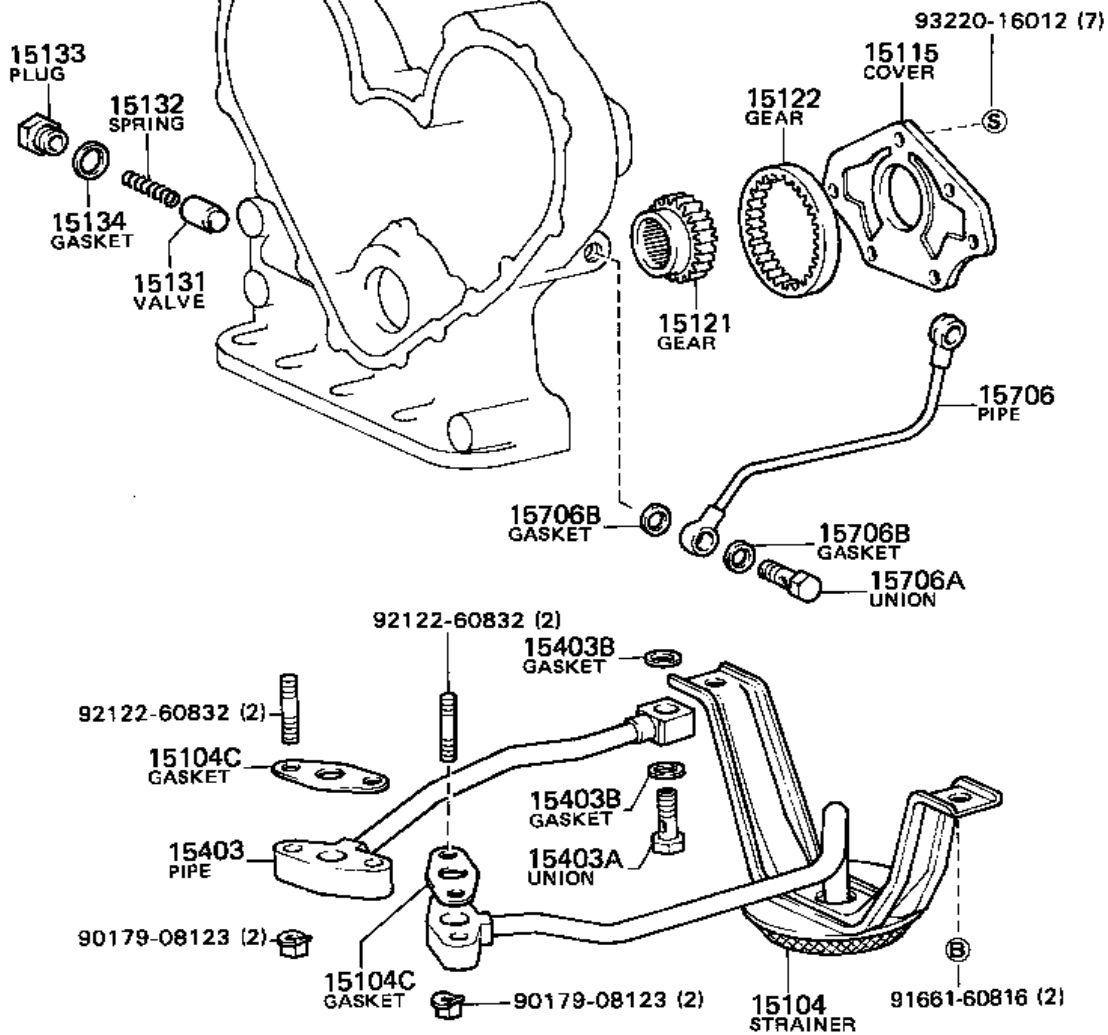


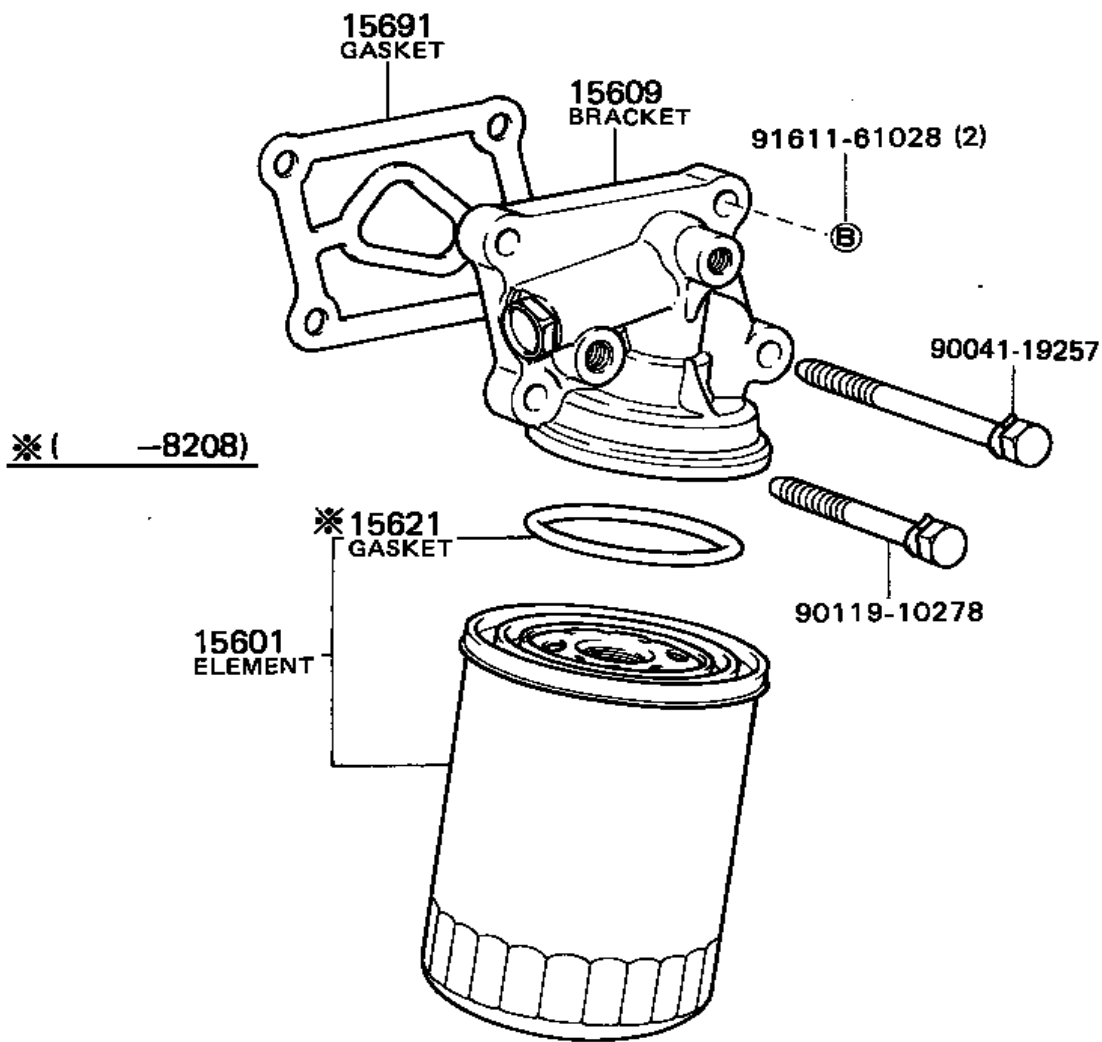
*1 W/ PS; W/ PS & COOLER
 *2 W/ PS
 *3 W/ COOLER

*4 (8406-) Excluded out of PNC 13405
 *5 (8408-)

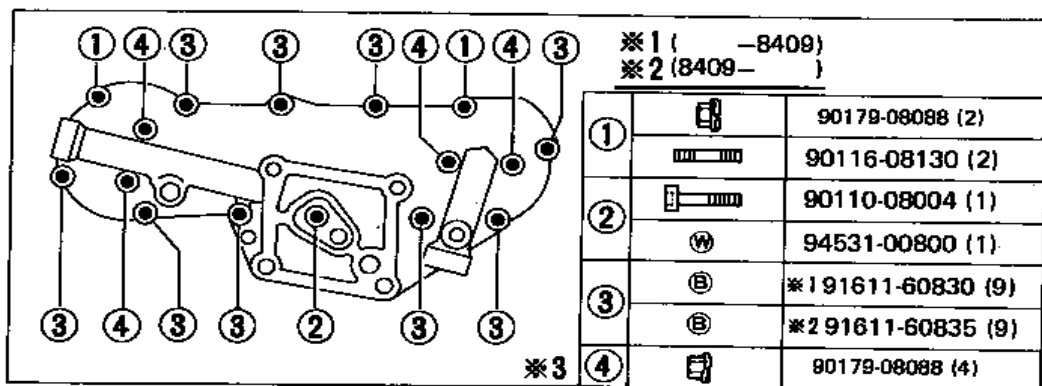


*1 (8408-)
 *2 (-8408)





MA 4683-D



*3 15710C GASKET

*3 15710B RING

*3 15710 COOLER

*3 W/ OIL COOLER

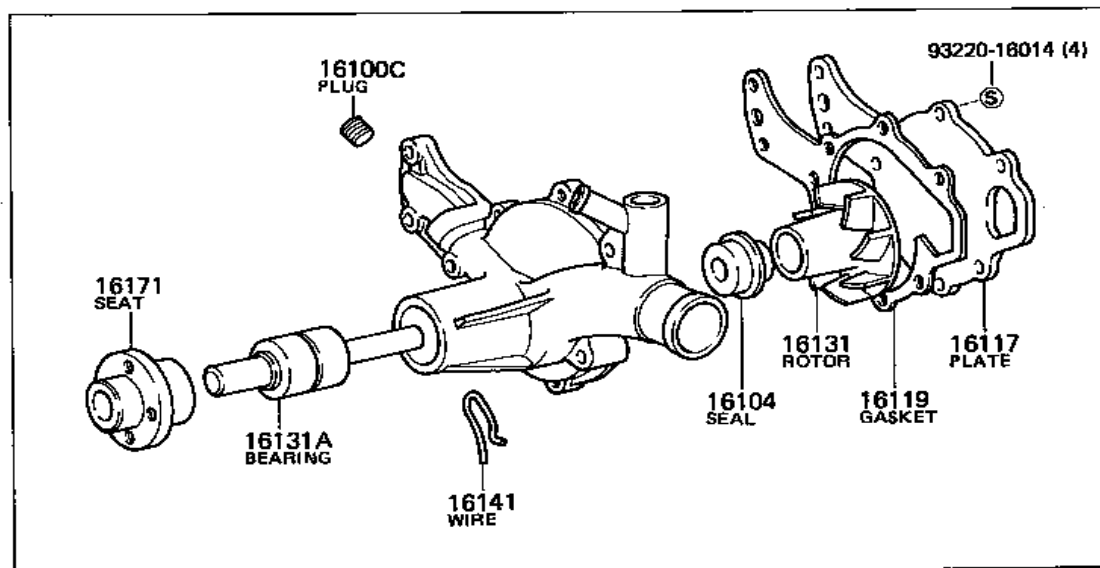
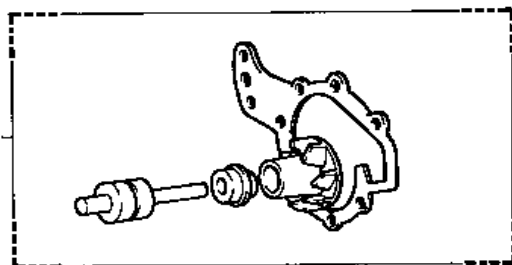
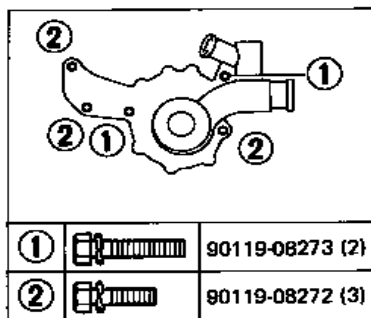
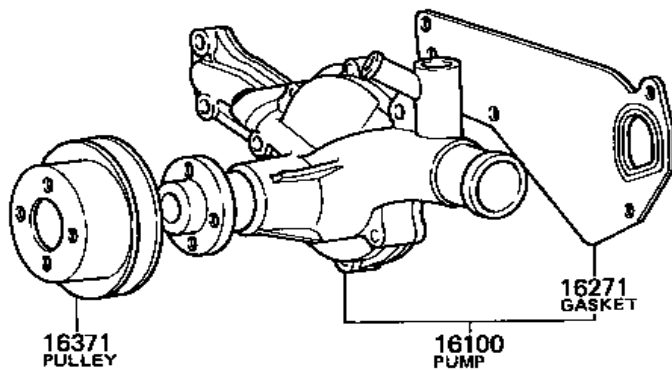
15722 GASKET

*3 90043-44011
90344-53003

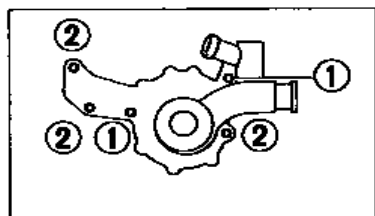
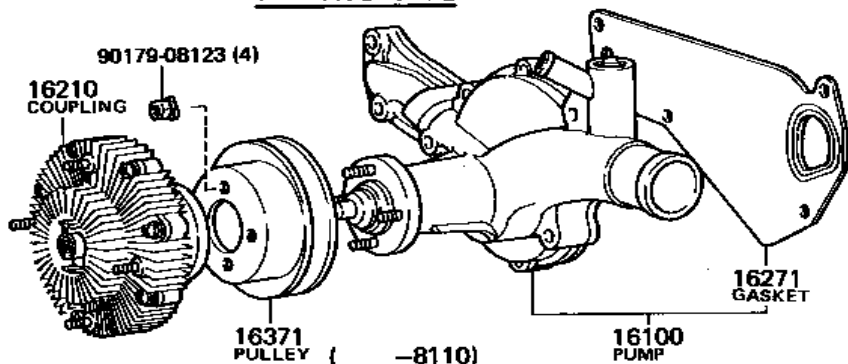
90345-53001

15791 CASE

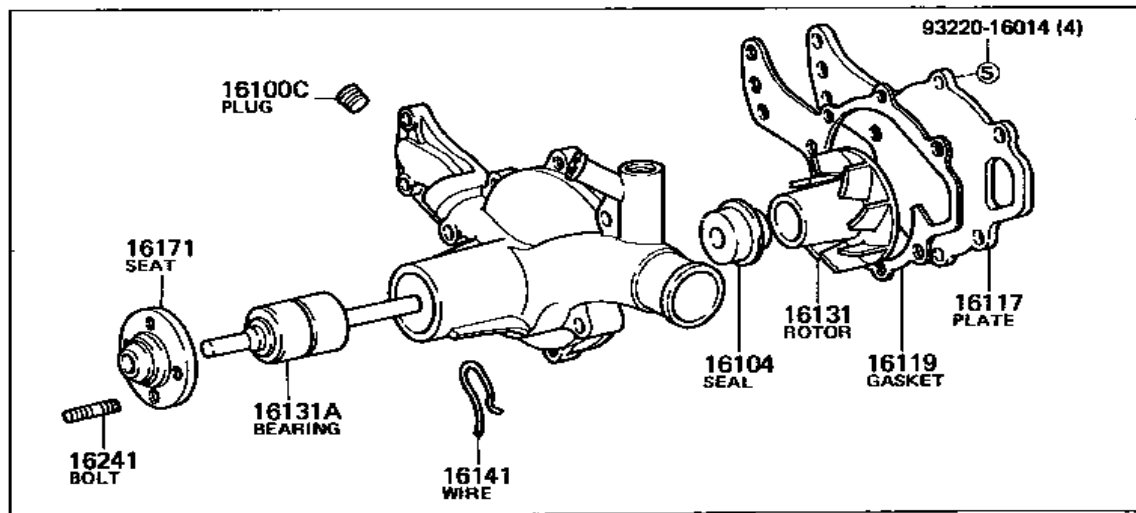
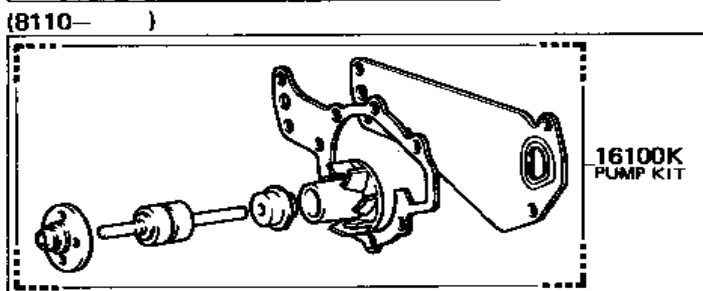
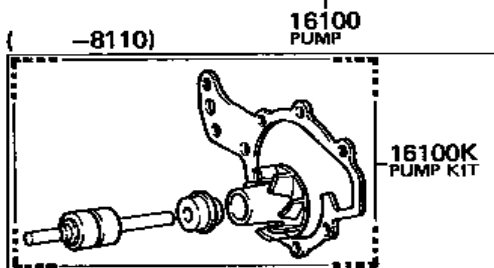
MA 6258-C



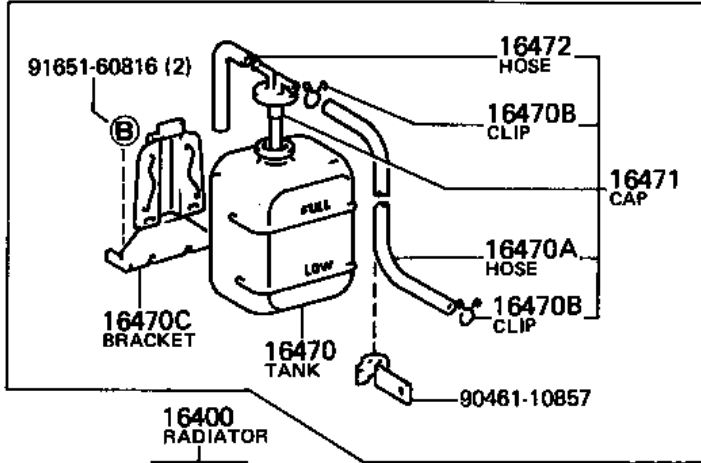
TEMPATO TYPE



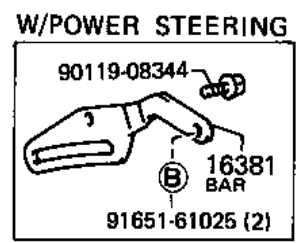
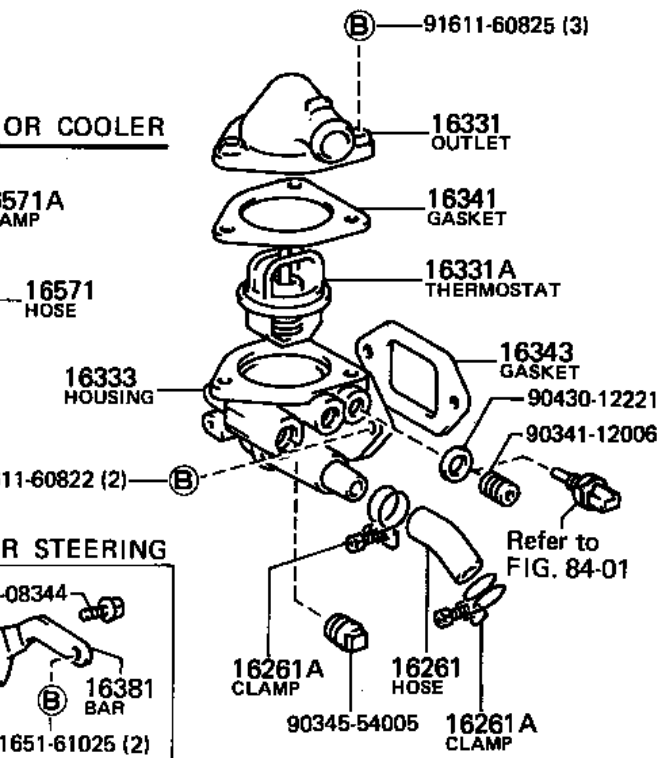
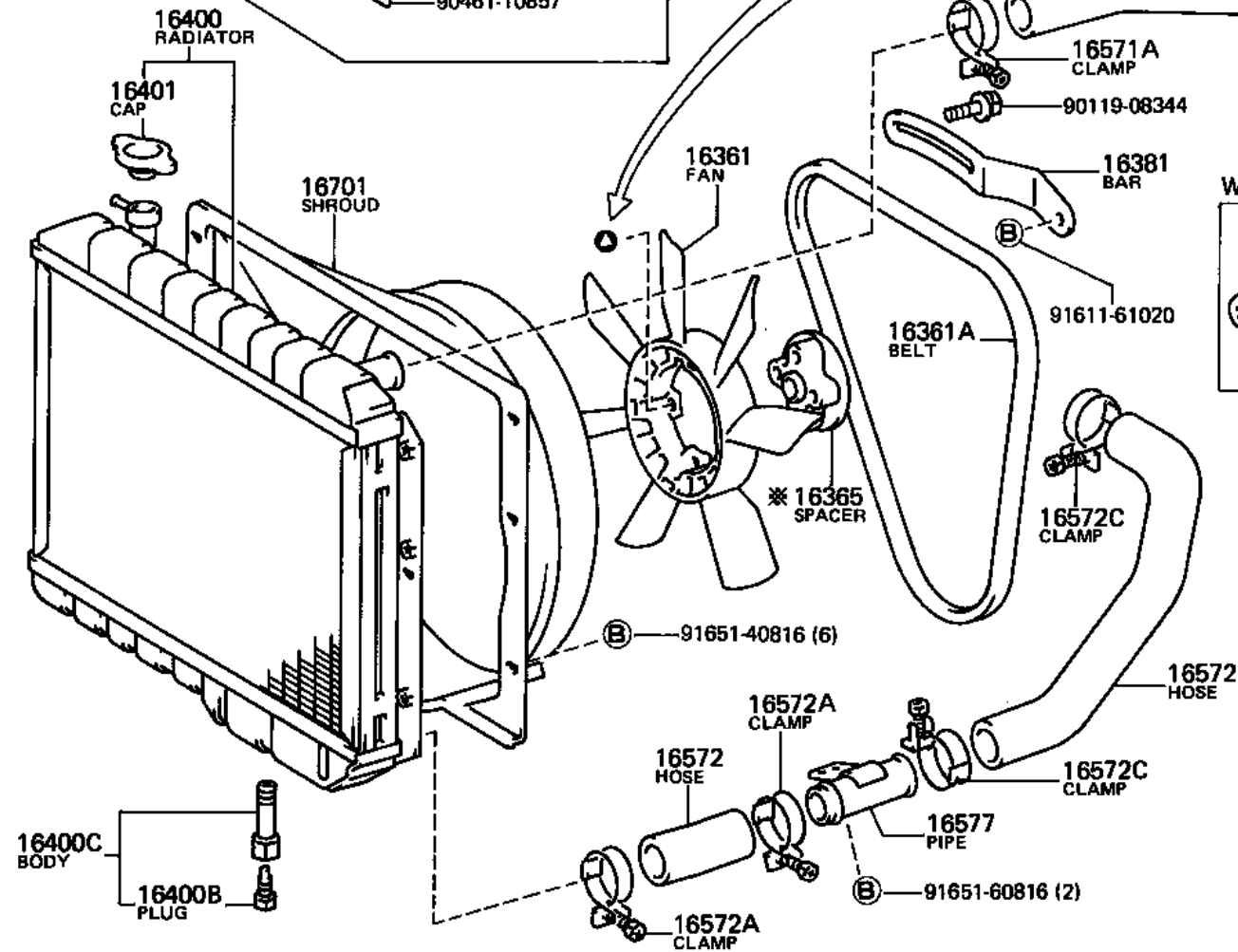
①		90119-08273 (2)
②		90119-08272 (3)



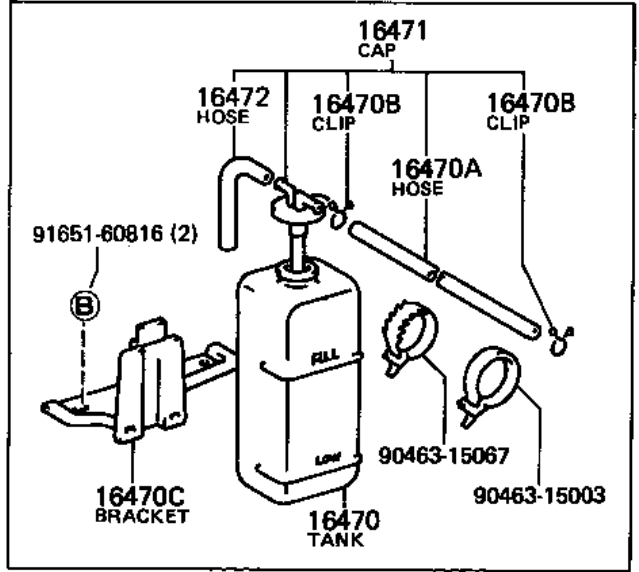
12V



W/COOLER	W/COUPLING
91111-40850 (4)	90179-06070 (4)
ⓑ Ⓜ 945:1-00800 (4)	
W/POWER STEERING	*W/POWER STEERING OR COOLER
90119-08106 (4)	
W/O COUPLING	
ⓑ 91611-60825 (4)	

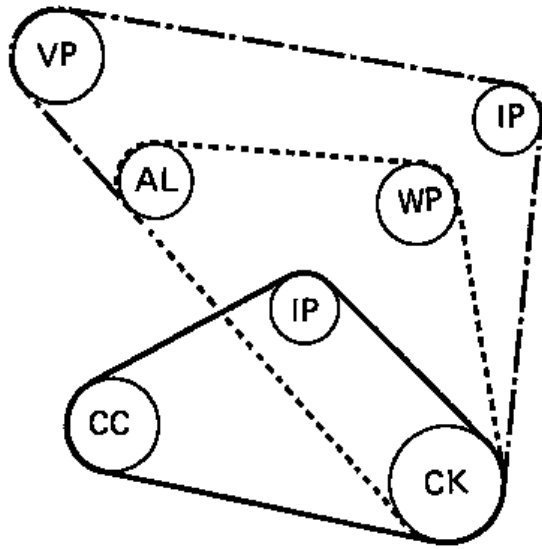


24V

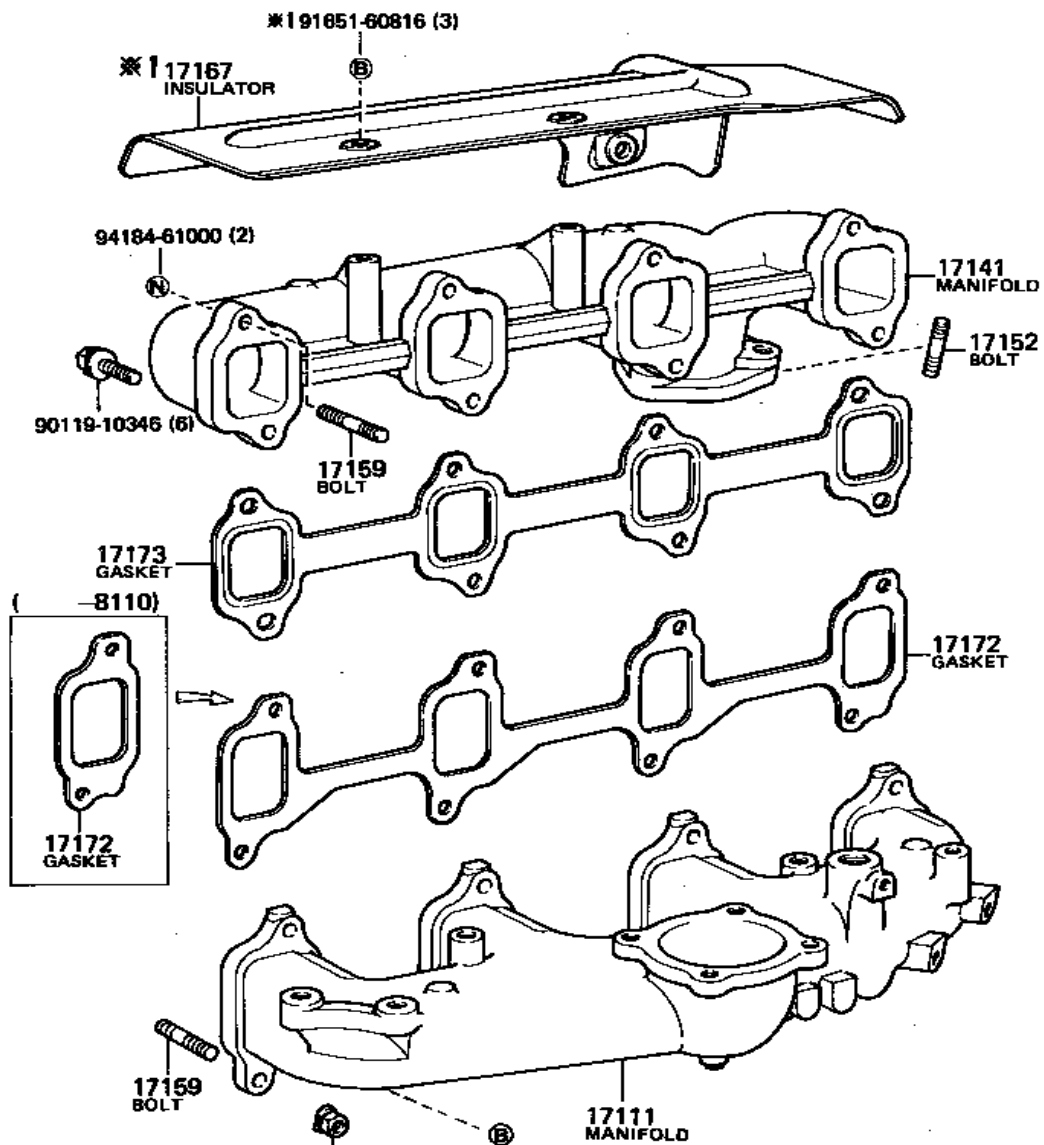


V-belt Application Chart

- CK : Crankshaft
- WP : Water Pump
- AL : Alternator
- CC : Cooler Compressor
- IP : Idle Pulley
- VP : Vane Pump



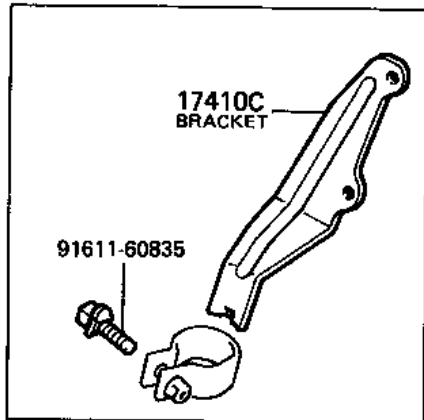
	P.N.C	FIG. NO.
————	88310A	87-19
-----	16361A	16-03
- · - · -	44310A	45-03



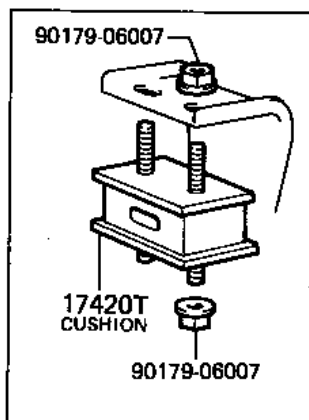
- *1 3B
- *2 (8204-8408)
- *3 (-8204)
- *4 (8408-)

- *3 90179-08123 (8)
- *2 90179-08123 (3)
- *4 90179-08123 (5) *2 91611-60825 (5)
- (5) *4 91611-60825 (3)

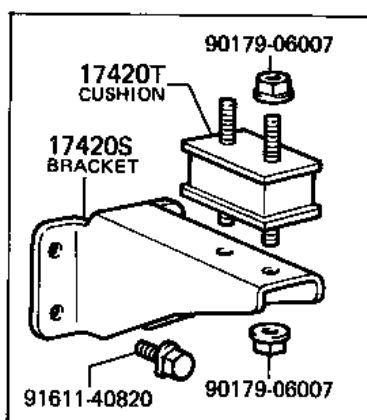
MA 5509-C



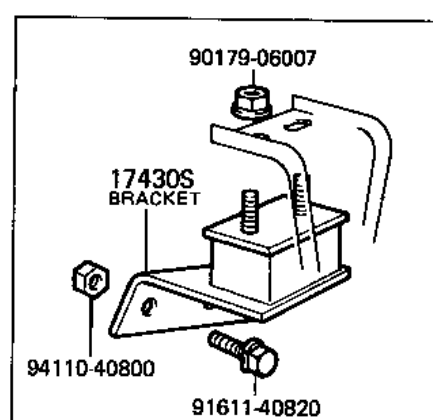
①



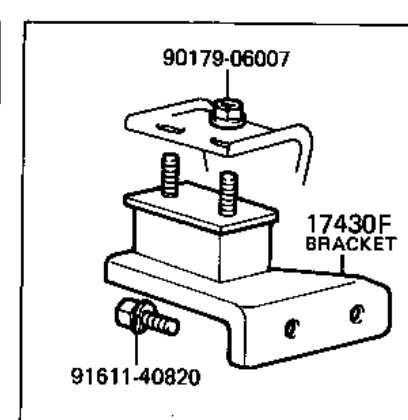
②



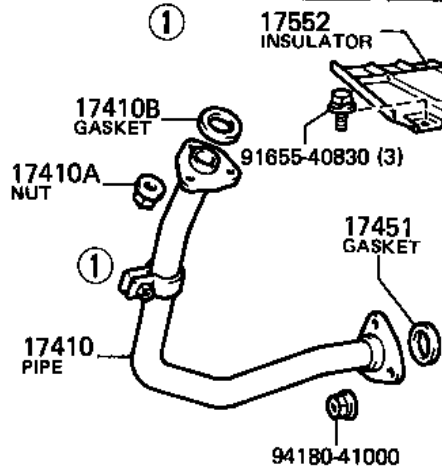
③



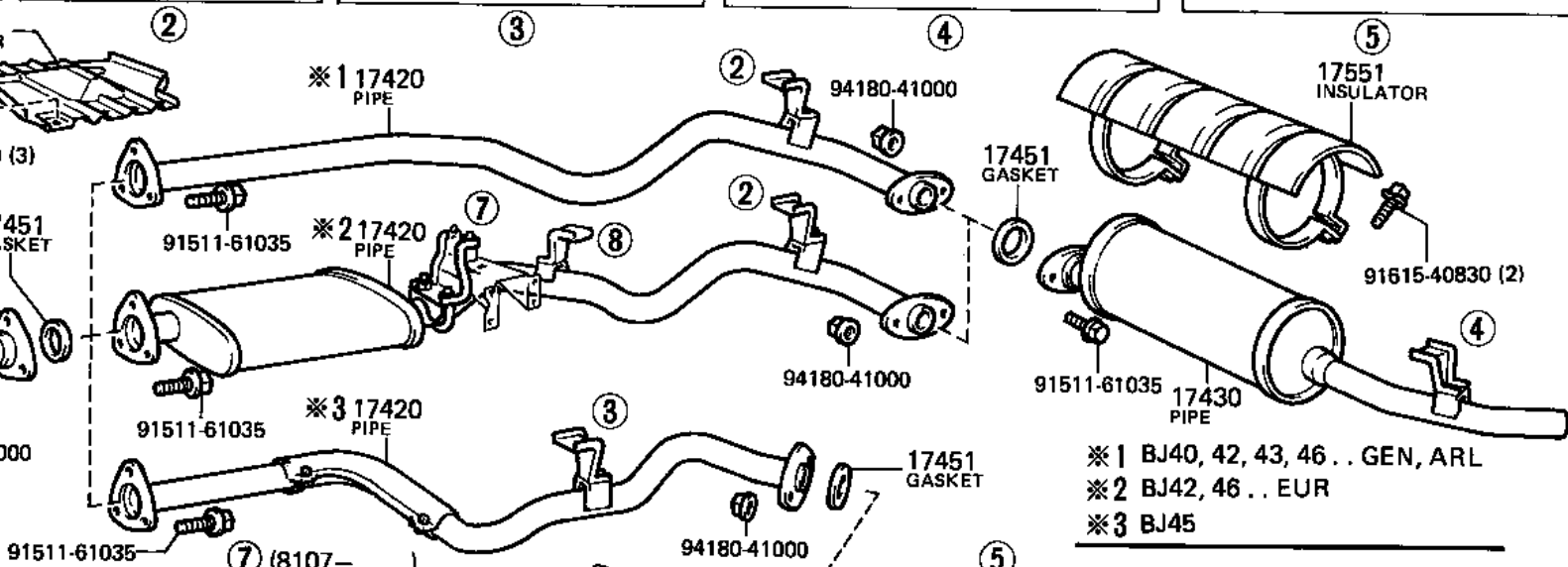
④



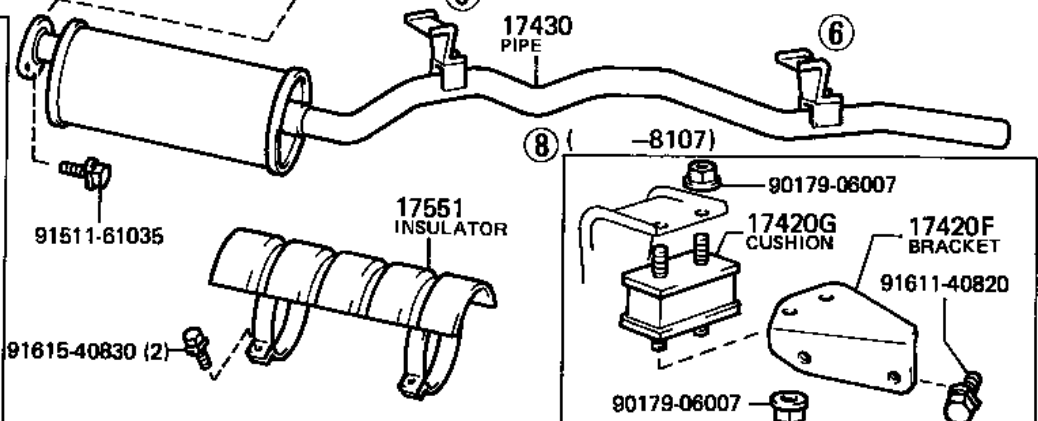
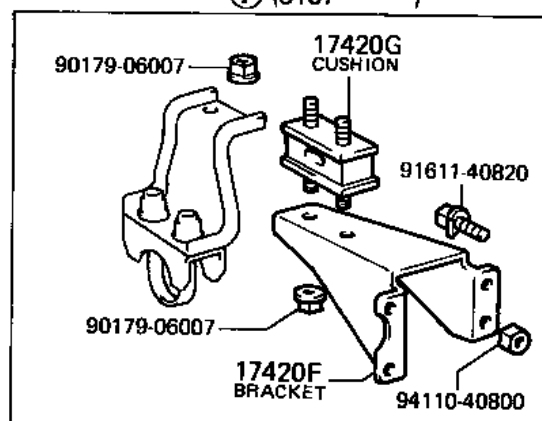
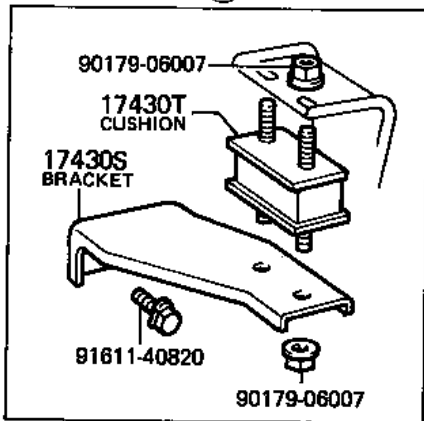
⑤

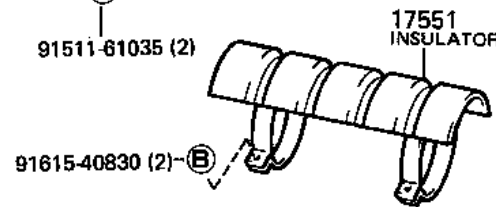
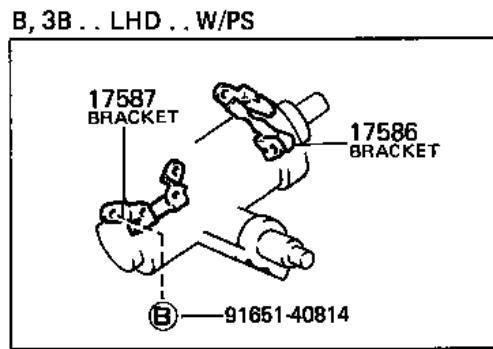
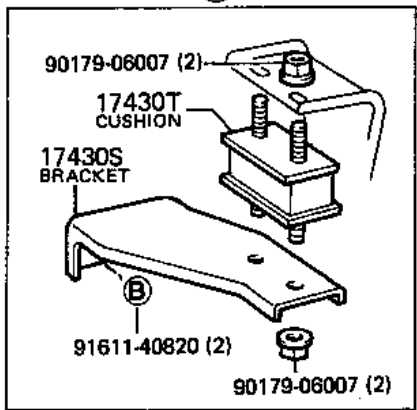
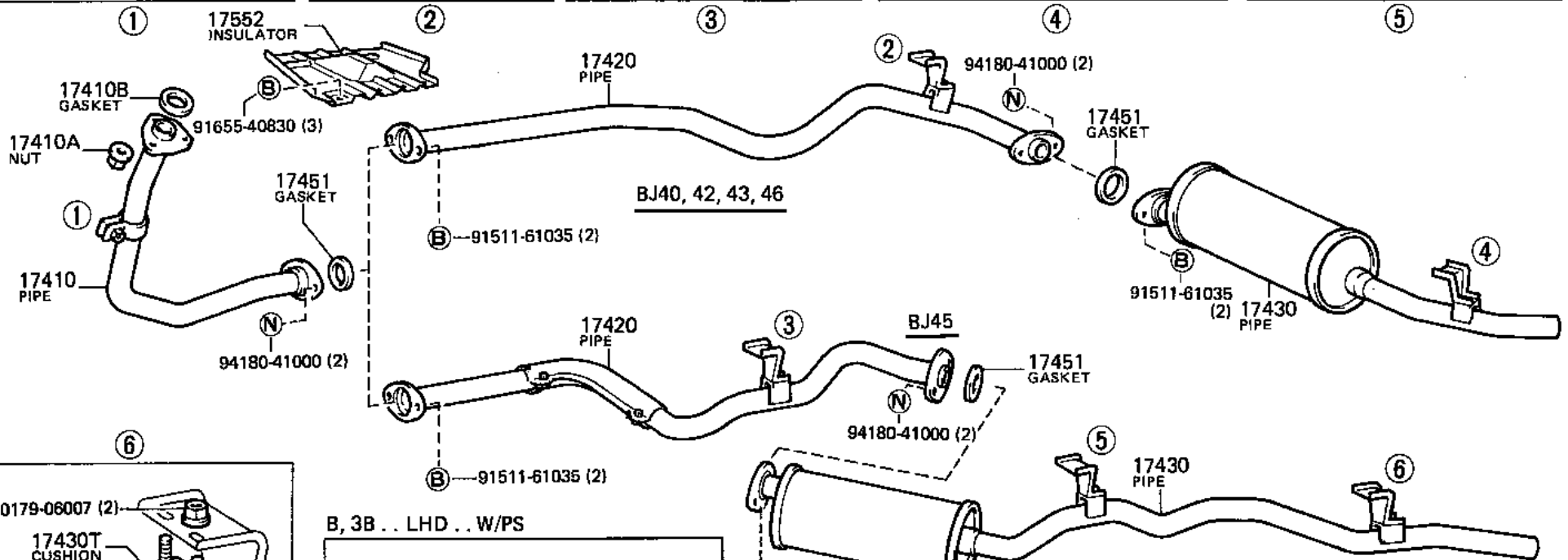
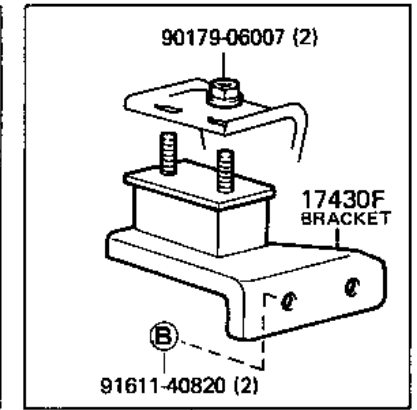
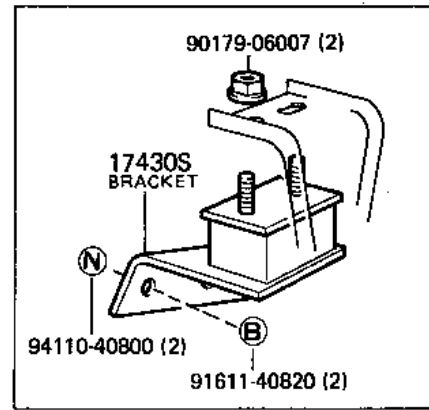
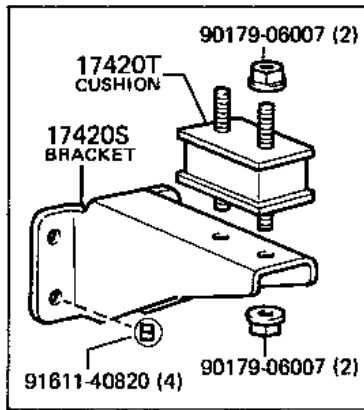
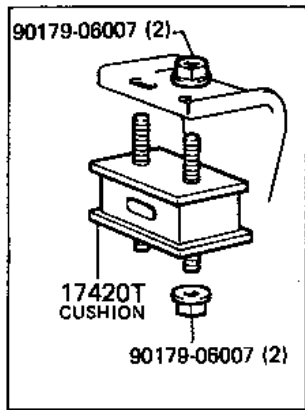
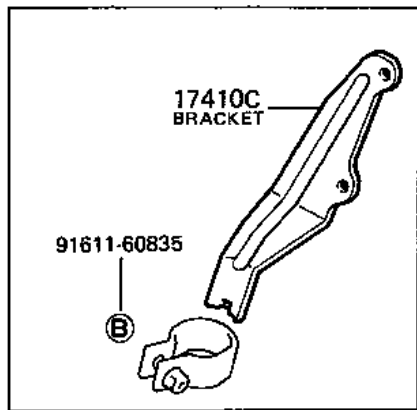


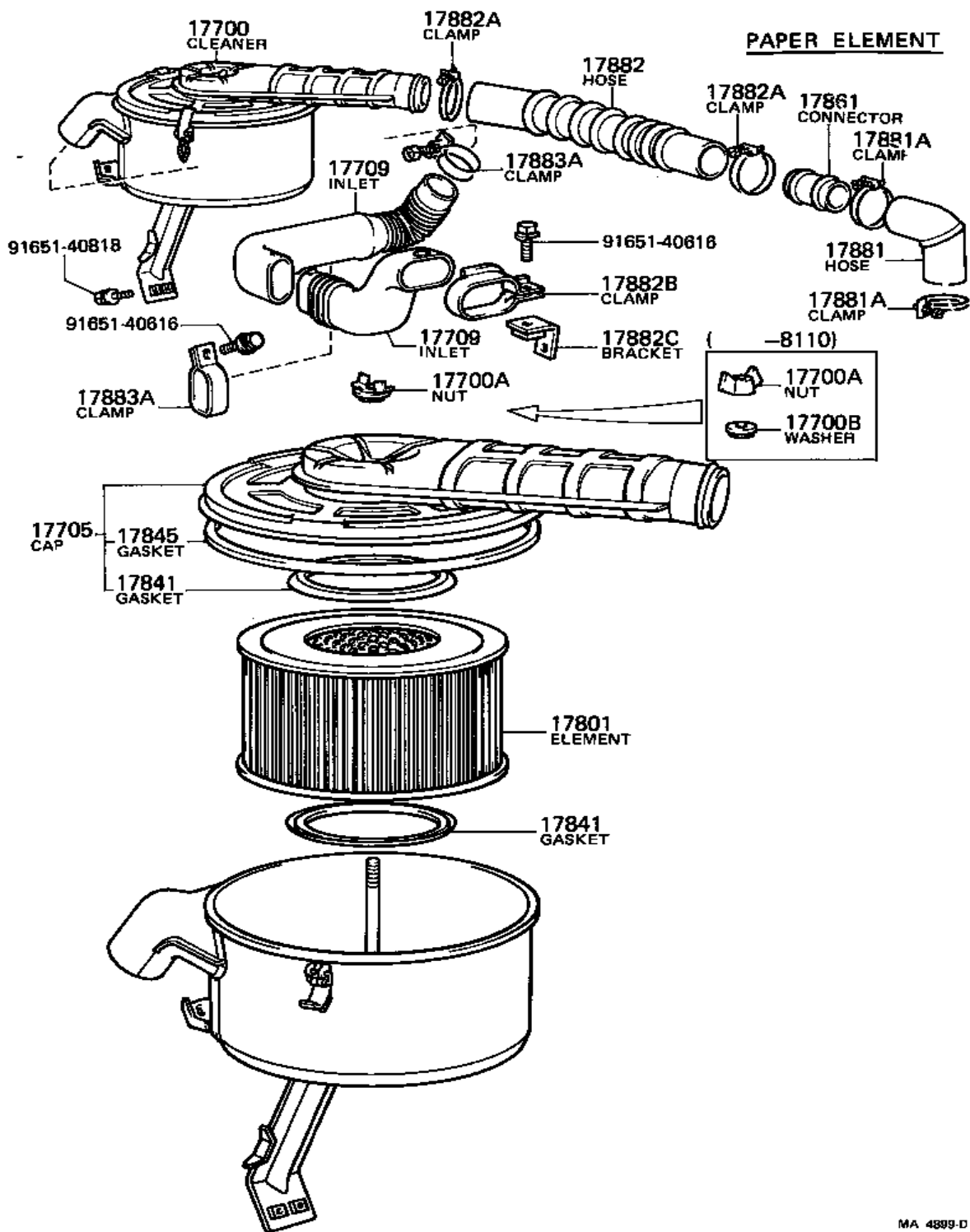
⑥



- *1 BJ40, 42, 43, 46... GEN, ARL
- *2 BJ42, 46... EUR
- *3 BJ45







17700
CLEANER

17882A
CLAMP

OIL BATH

17882
HOSE

17882A
CLAMP

17861
CONNECTOR

17881A
CLAMP

17883A
CLAMP

17709
INLET

91651-40818

91651-40616

17882B
CLAMP

17881
HOSE

17881A
CLAMP

91651-40616

17709
INLET

17882C
BRACKET

-8110

17883A
CLAMP

17700A
NUT

17700A
NUT

17700B
WASHER

17705
CAP

17845
GASKET

17841
GASKET

17801
ELEMENT

17841
GASKET

11294
PLATE

THIS ENGINE WAS MANUFACTURED
TO COMPLY WITH ADR 30
DATE /

11293
PLATE

3B	弁調整 (バルブ) VALVE CLEARANCE (HOT)

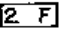
17700C
PLATE

 AIR CLEANER SERVICE	エアクリナー サービス
CLEAN ELEMENT	エレメント交換
_____	_____

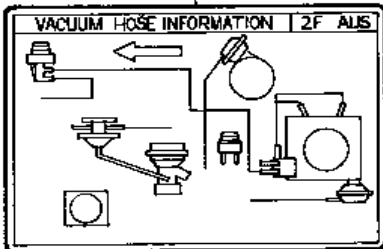
17700C
PLATE

 AIR CLEANER SERVICE	エアクリナー サービス
INSPECT AIR CLEANER ELEMENT	_____
_____	_____

17700D
PLATE


	エンジン調整表 MEASUREMENT OF ENGINE ADJUSTMENT
アイドル調整値	IDLE SETTINGS
ファストアイドル	_____
タペット	
テイス	
スパーク	

17792
PLATE

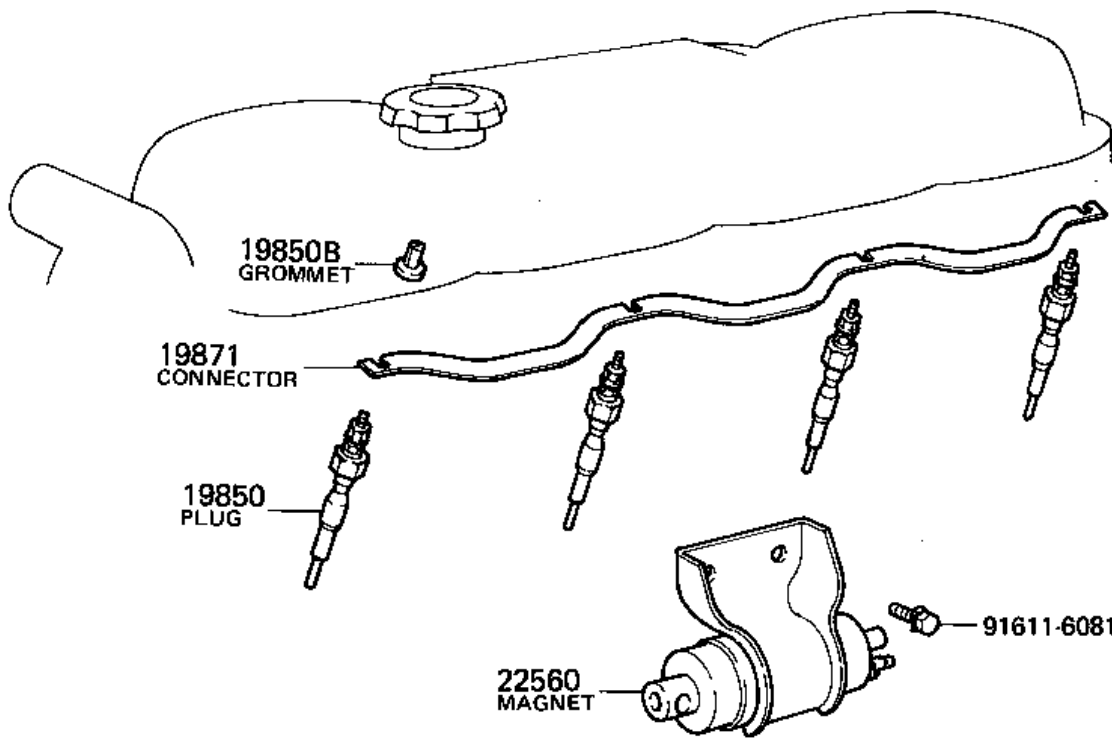


11298
PLATE

VEHICLE EMISSION CONTROL INFORMATION	

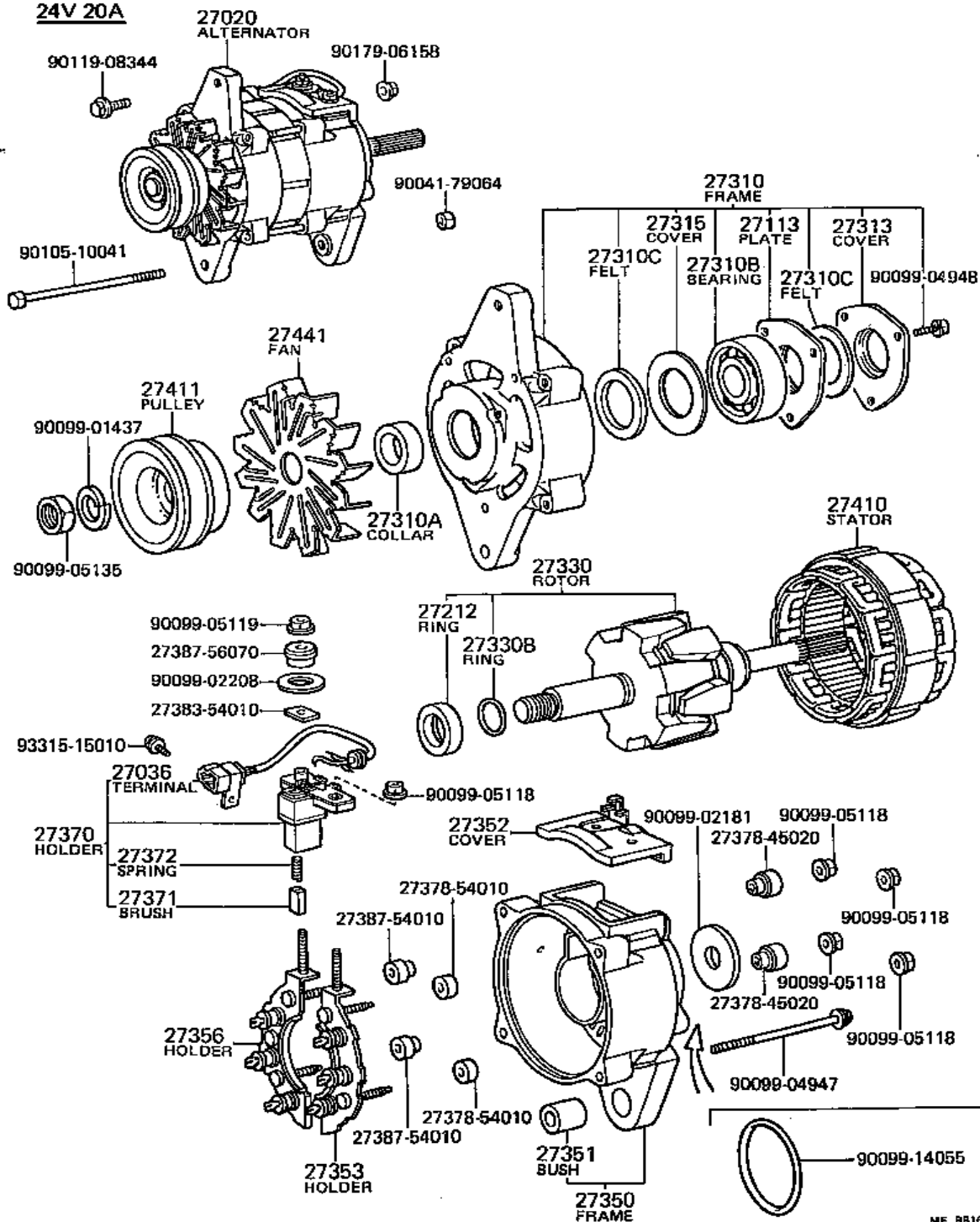
_____	_____
_____	_____
TOYOTA MOTOR CORPORATION 	
2F	AUS

MA 4850-B

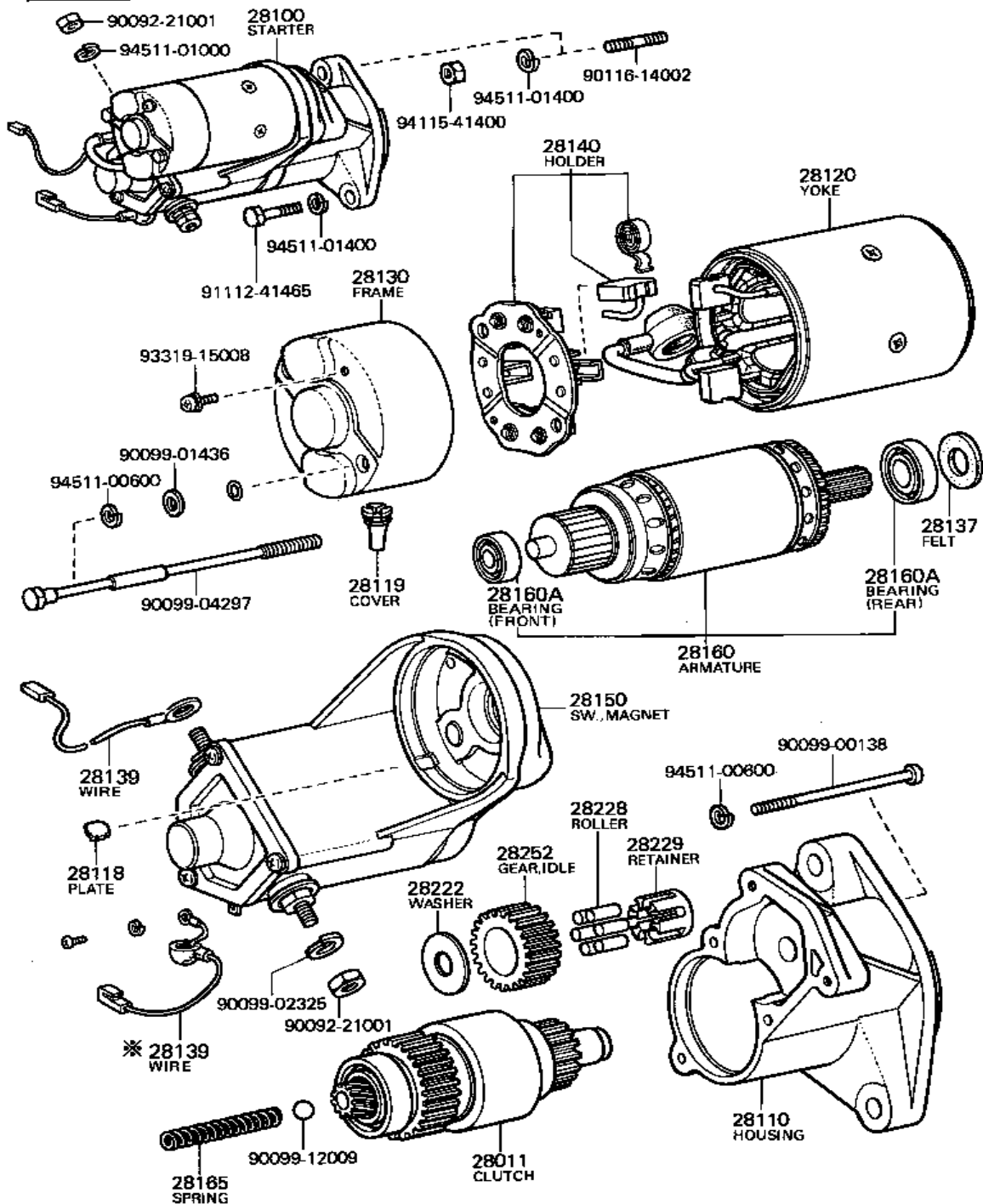


ME 9114

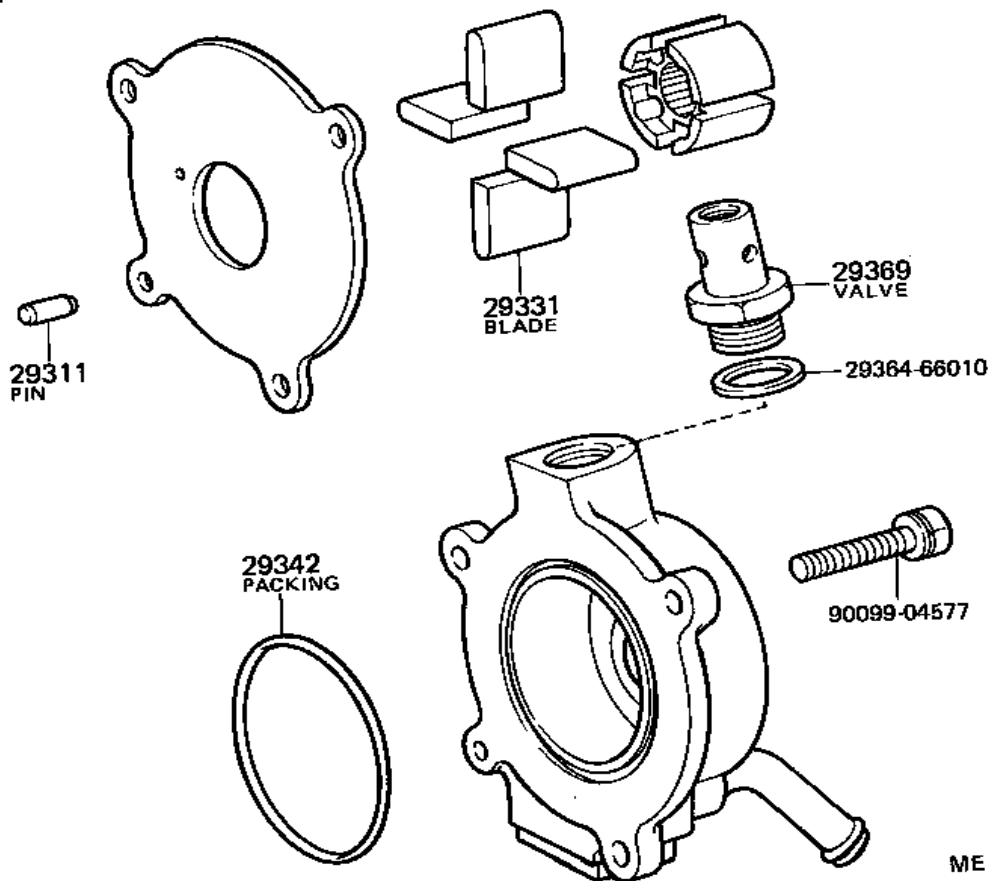
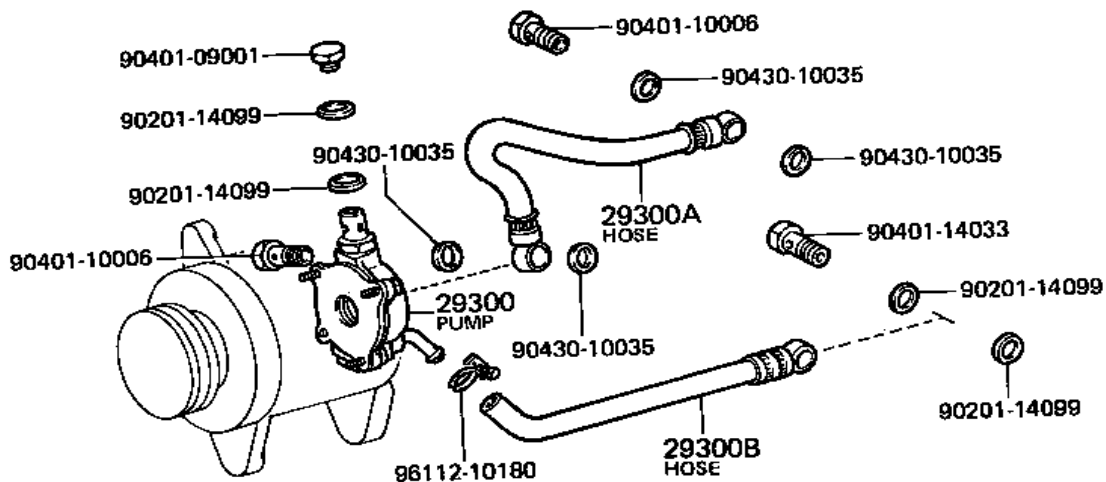
12V 40A
24V 20A



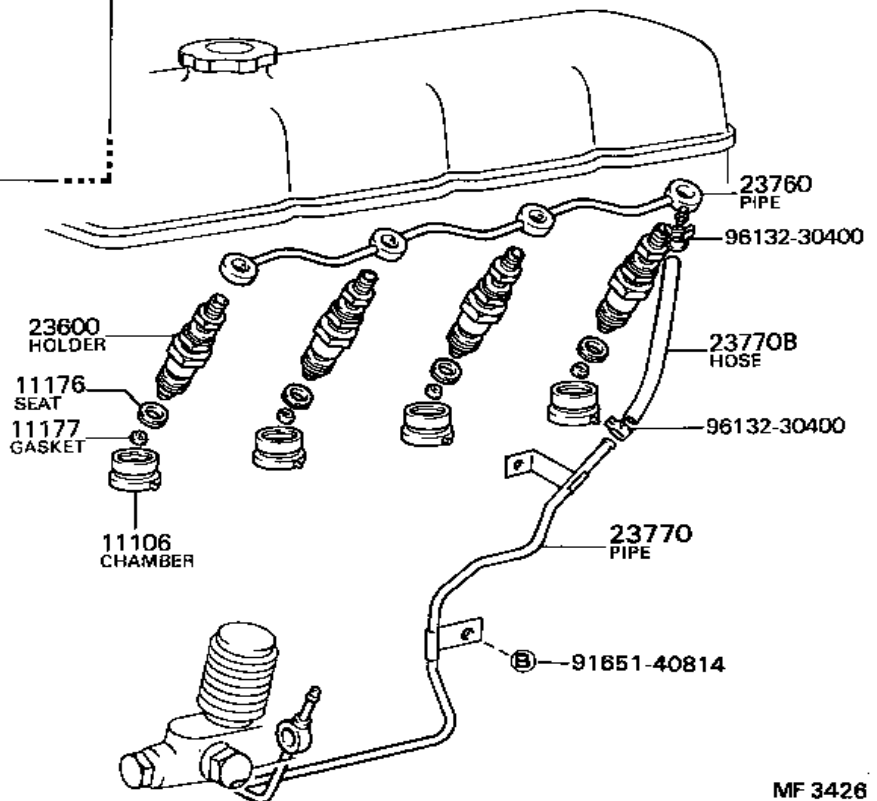
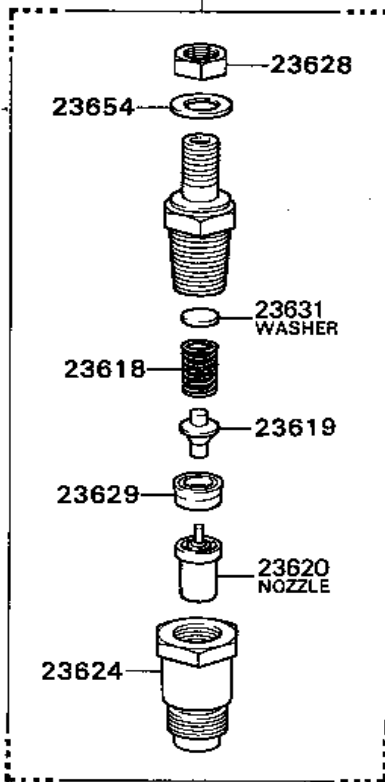
12V 2.5KW
24V 4.5KW



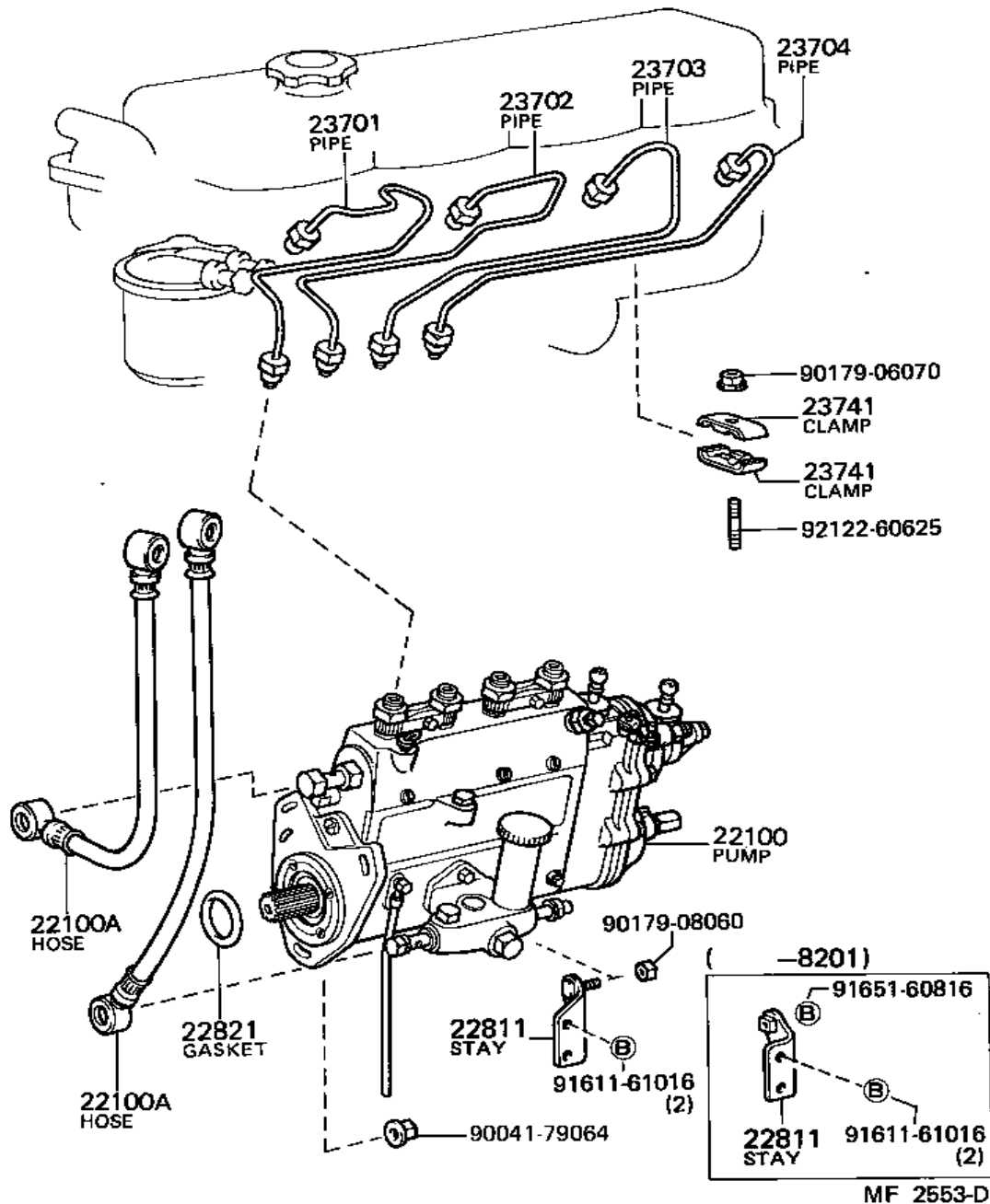
※W/EDIC

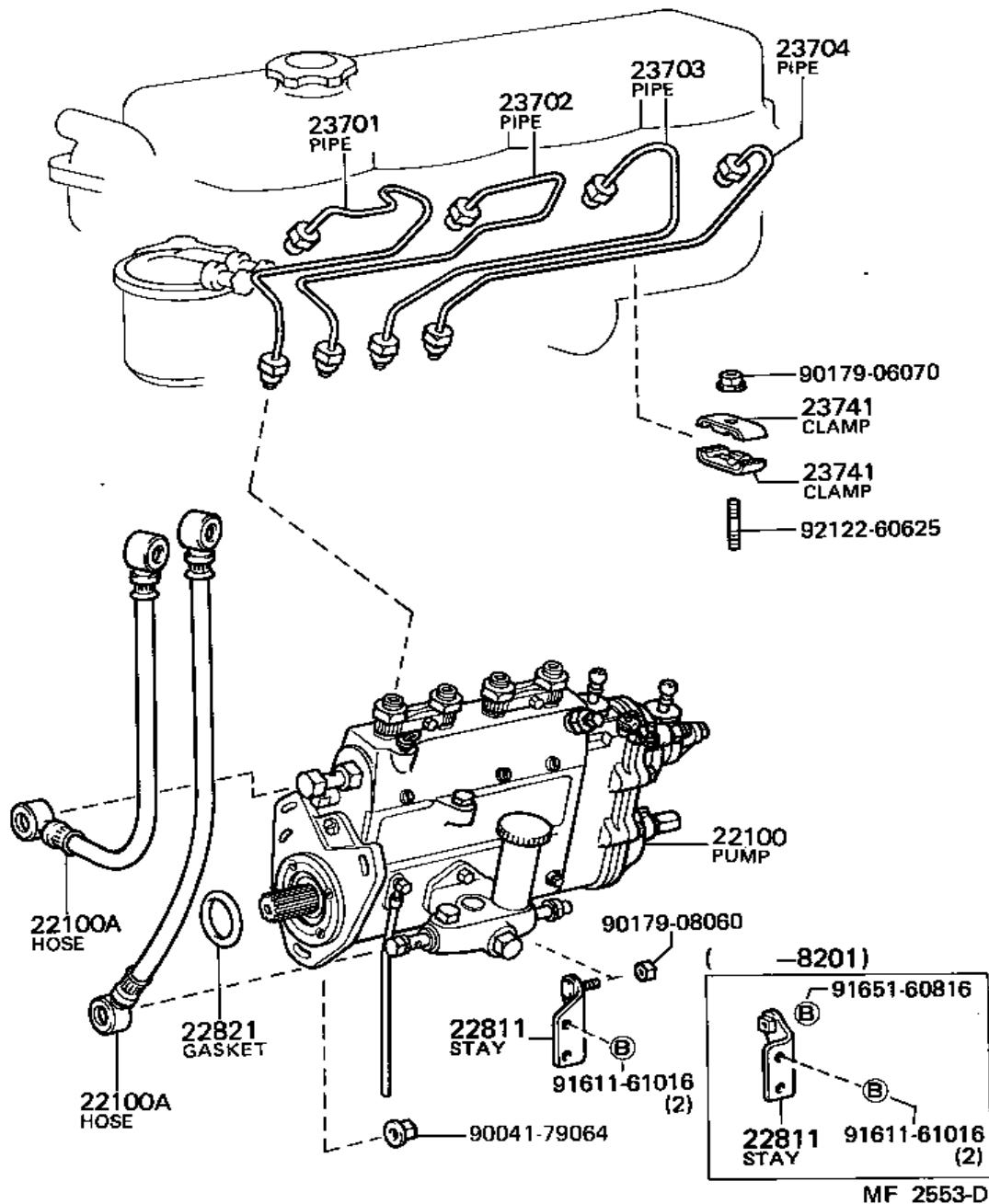


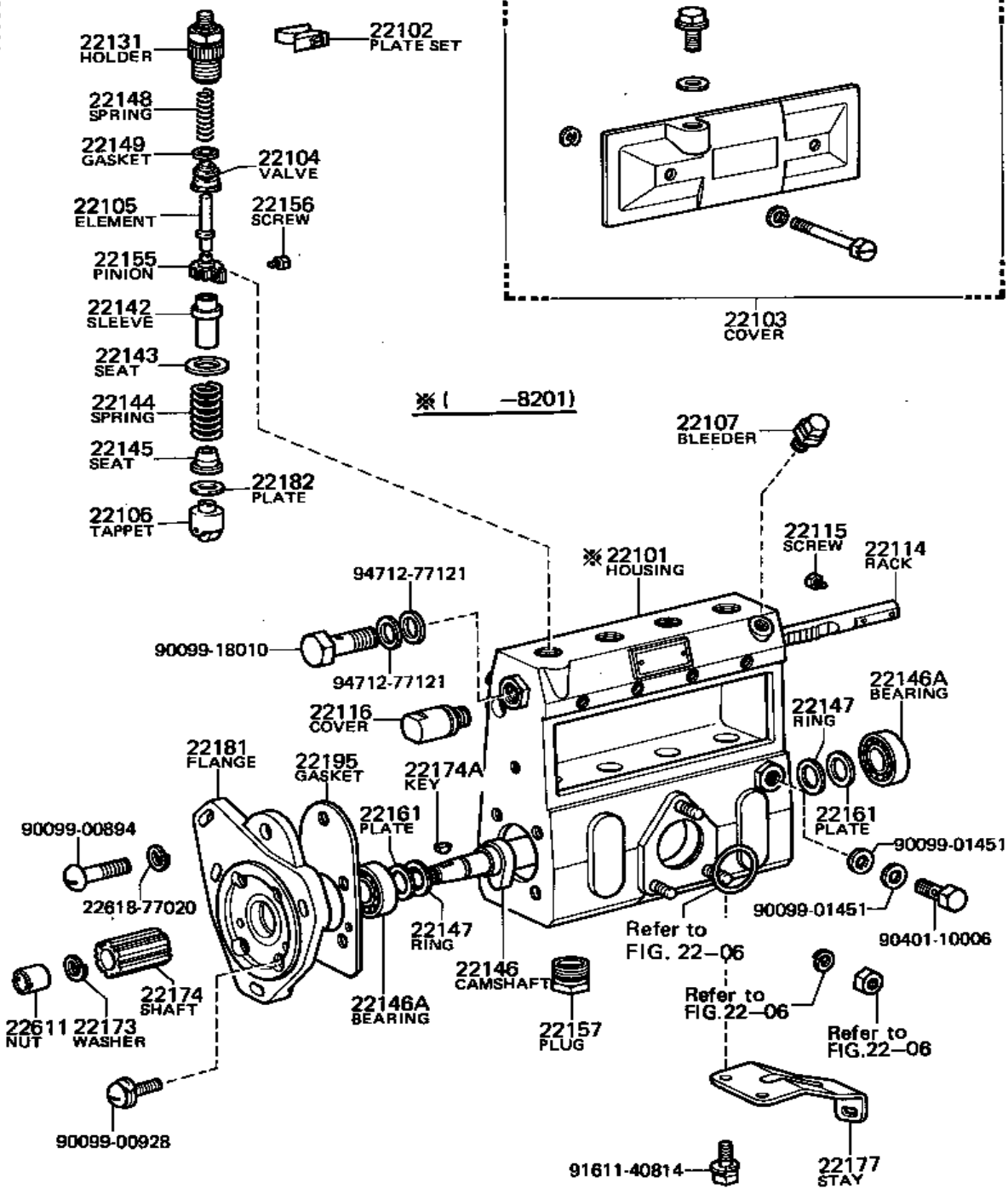
23600
HOLDER

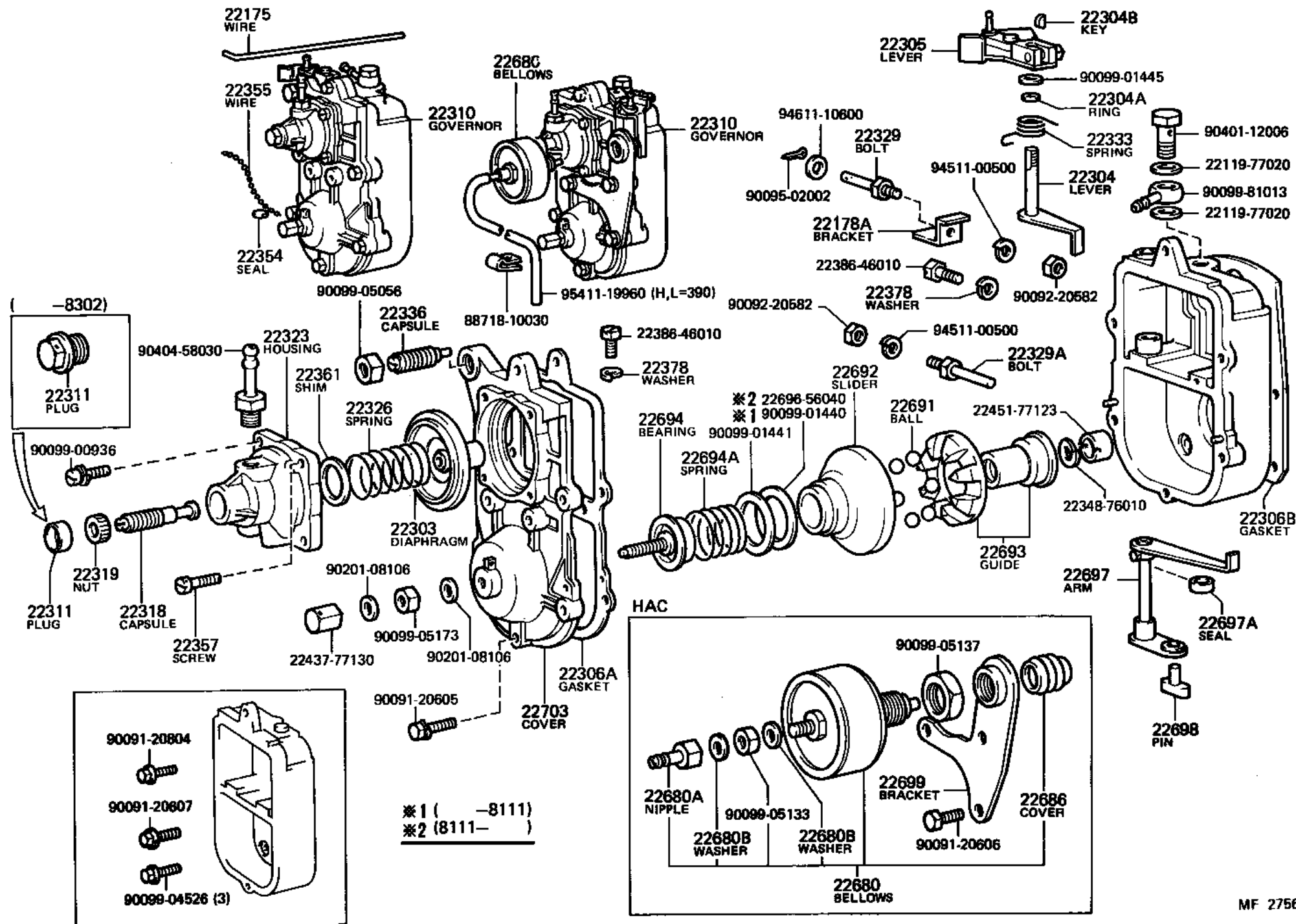


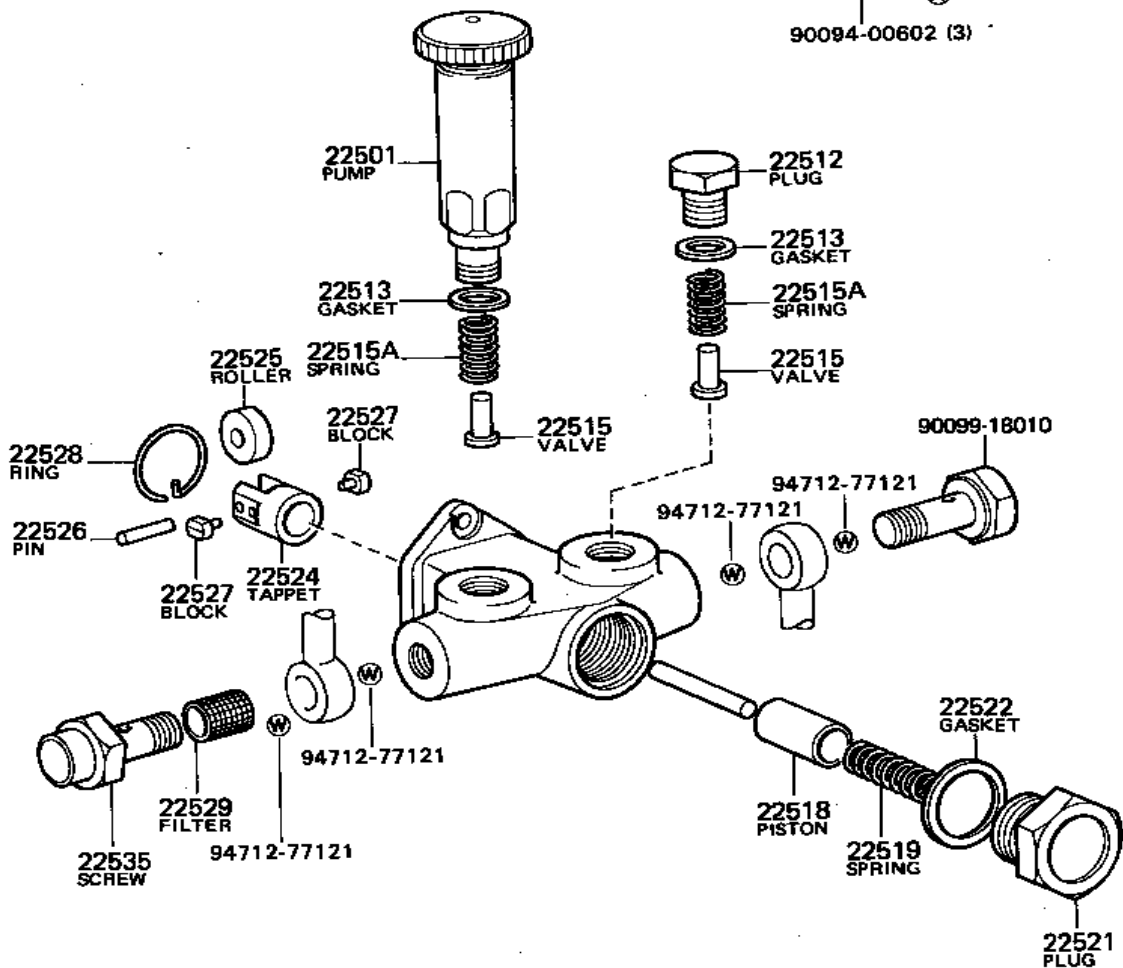
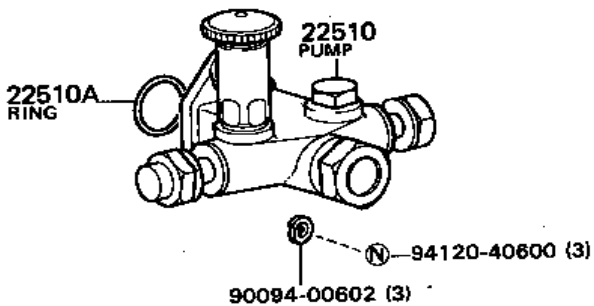
MF 3426

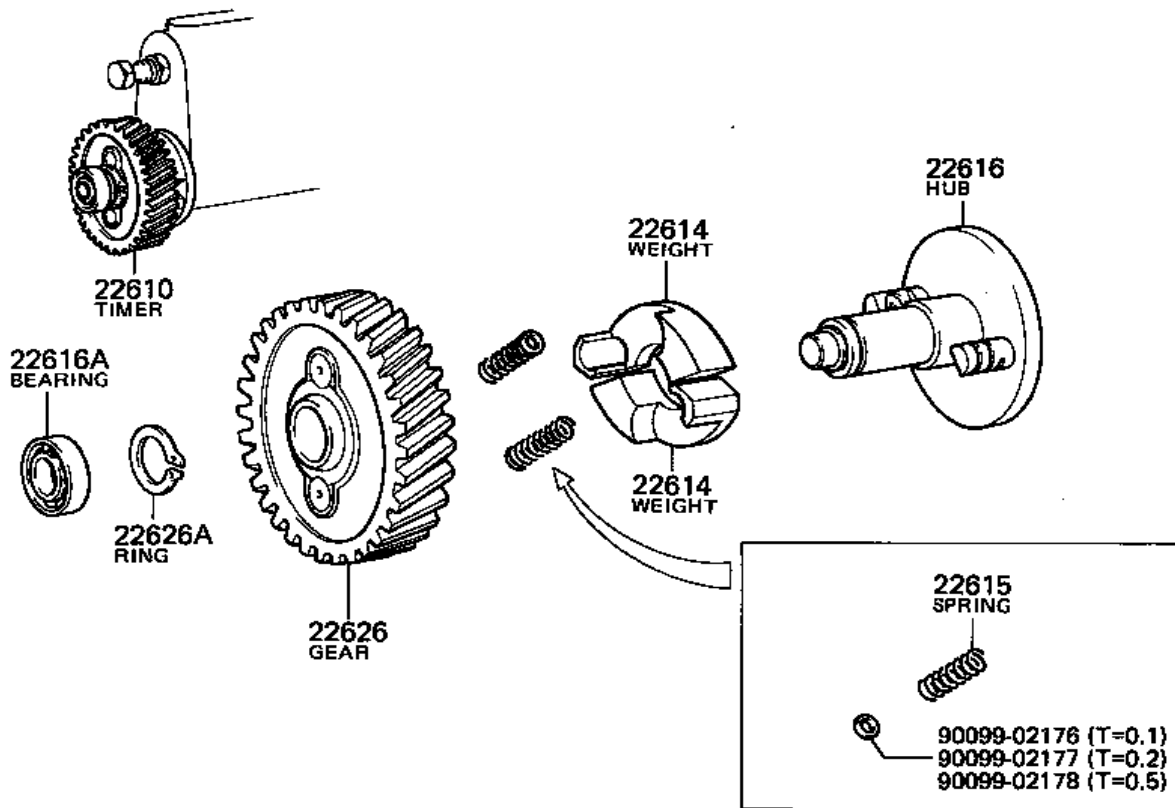




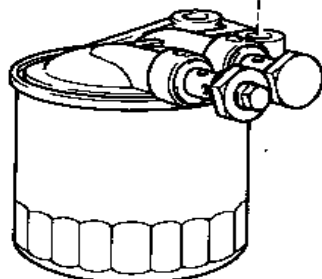




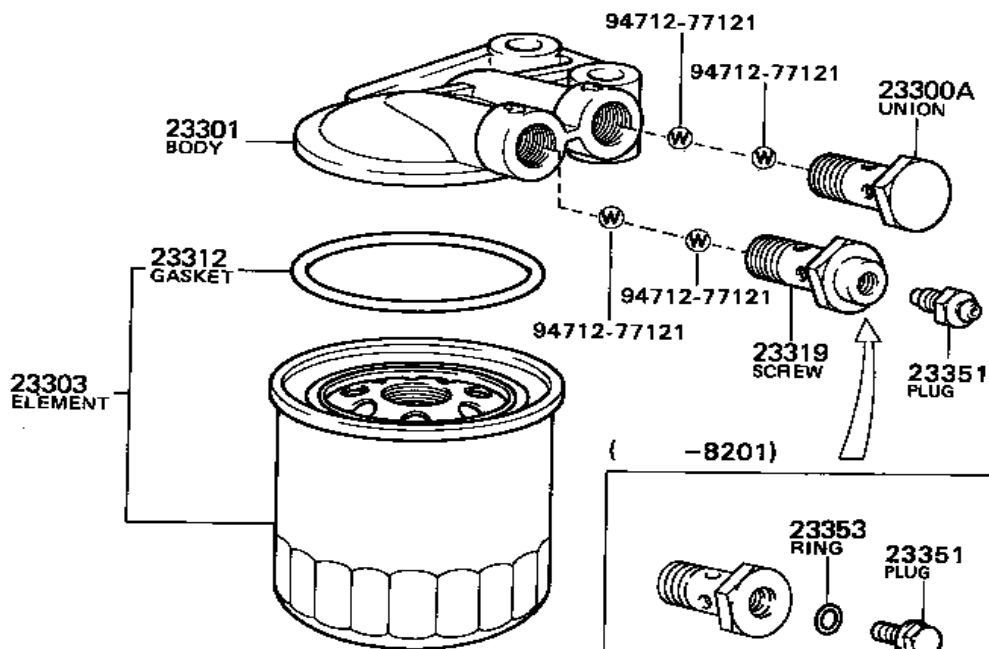




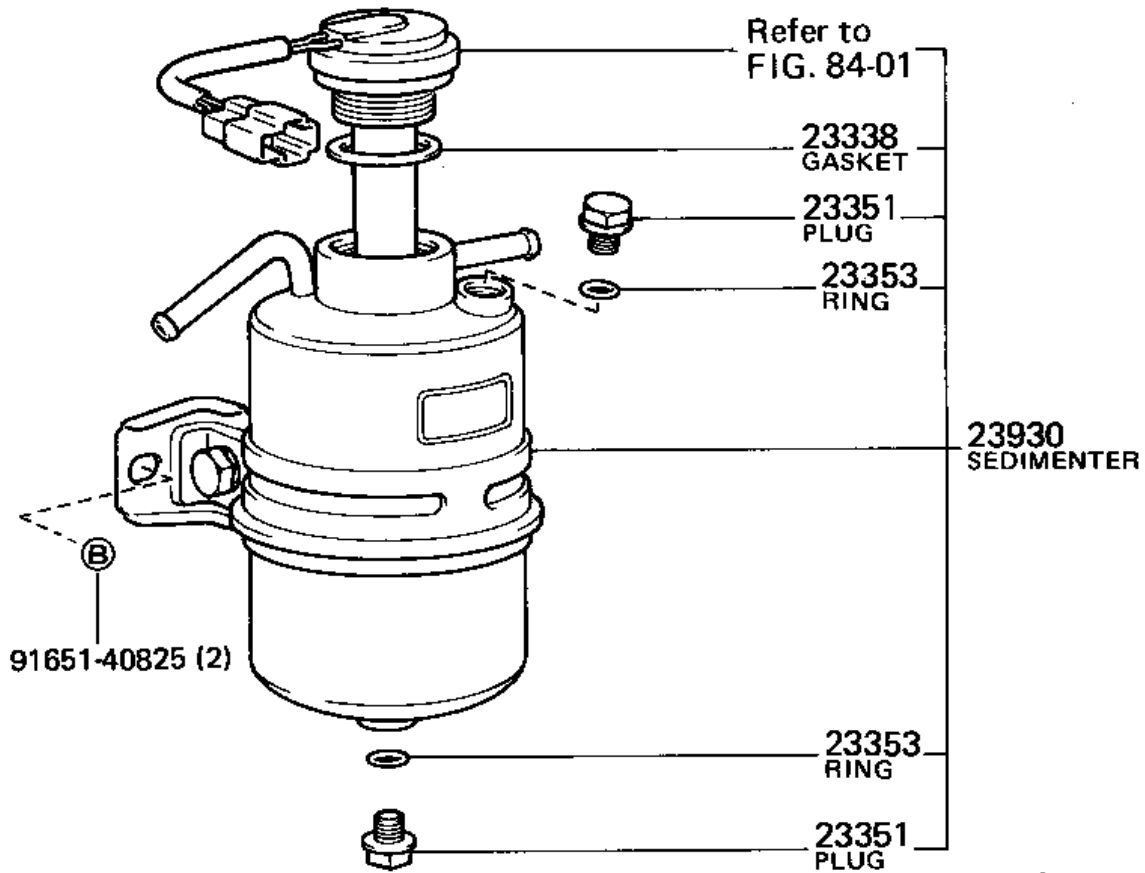
91611-61045 (2)

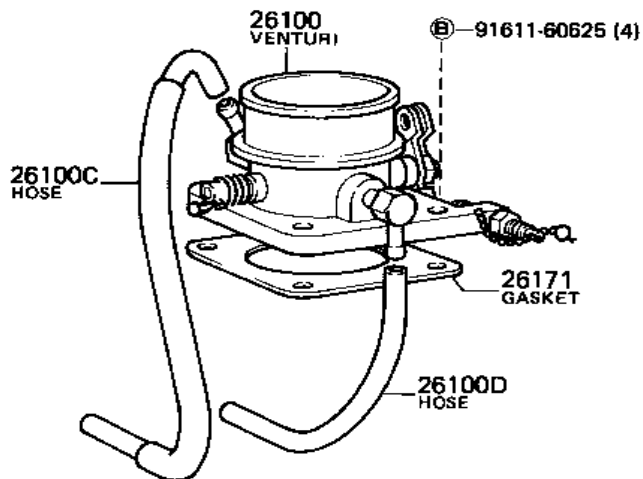


23300D
FILTER



MF 2566-D





26100 VENTURI

