

※( -8408)

33311W  
BEARING

31250  
DISC

※31221  
PLATE

90109-08081  
(3)

90201-08567

90170-08197

31216  
SPRING

94511-00800

31216  
SPRING

94511-00800

90109-08081

90201-08567

90170-08197

※31201  
COVER

31231  
HUB

31231A  
BEARING

31232  
CLIP

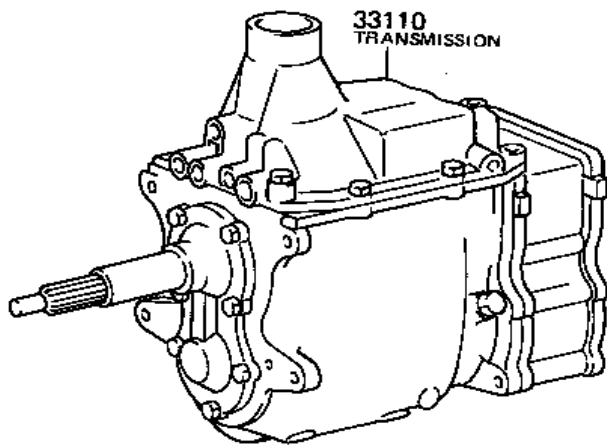
31240A  
SPRING

31240  
FORK

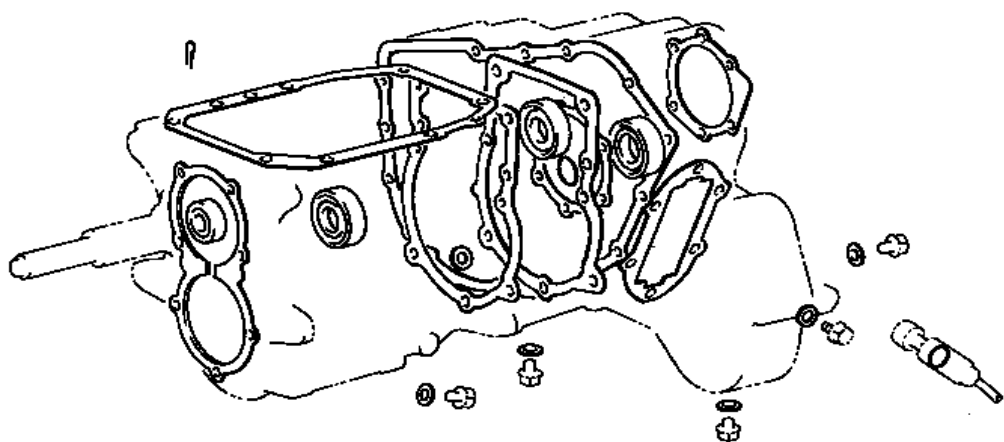
31126  
BOOT

31236  
BALL

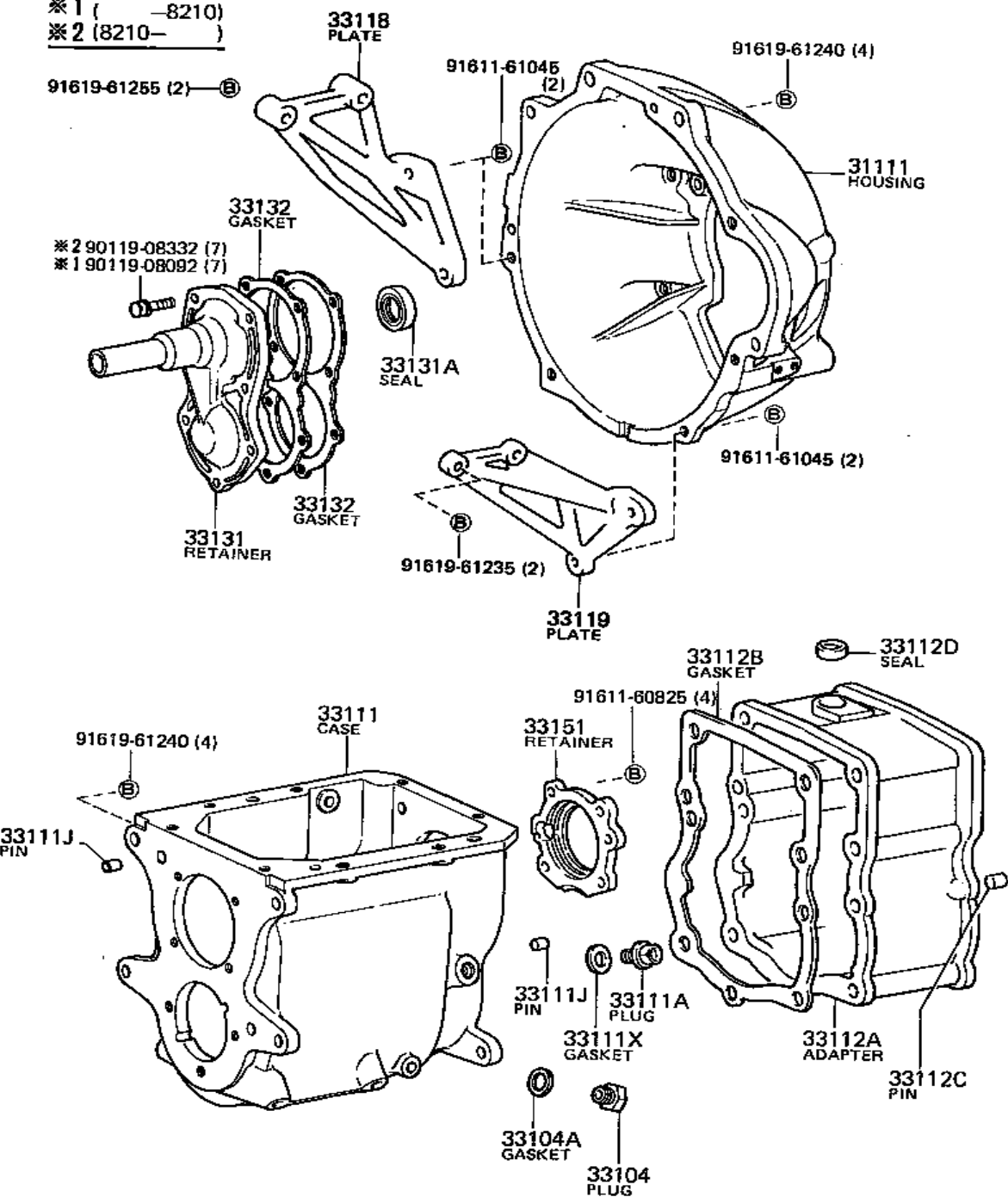
MC C134

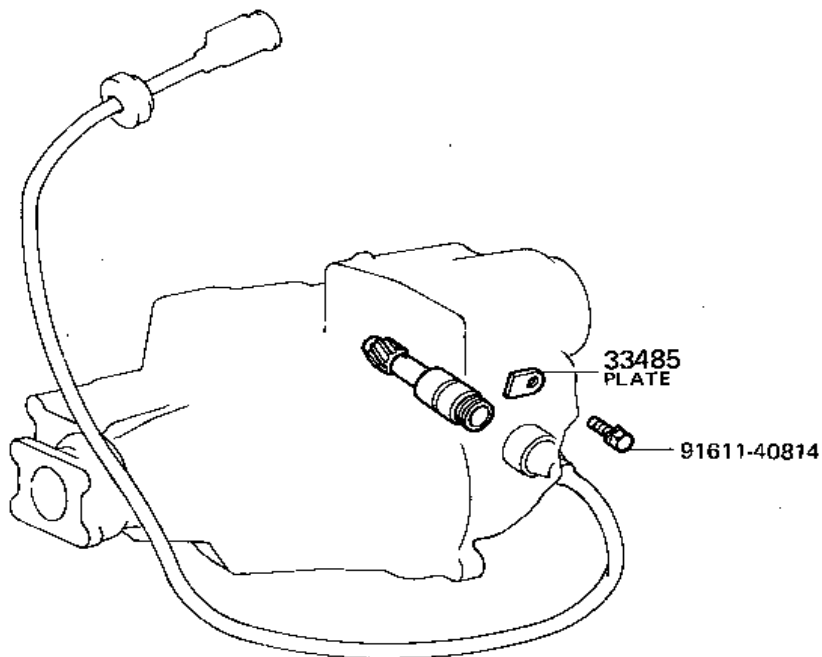


33110K  
GASKET KIT

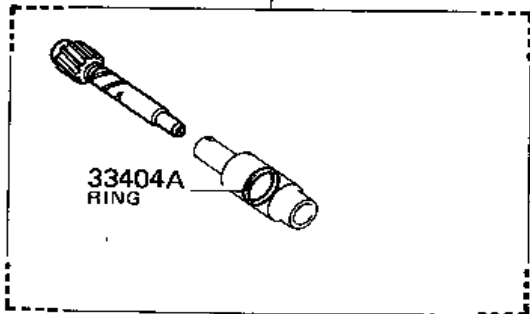


※1 ( -8210)  
 ※2 (8210- )

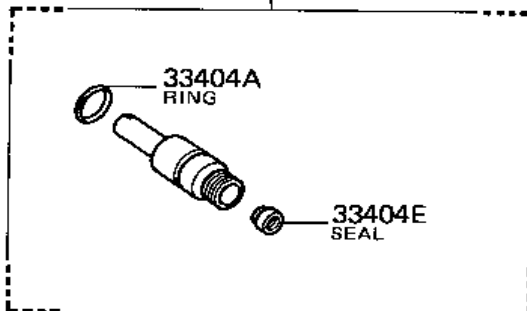


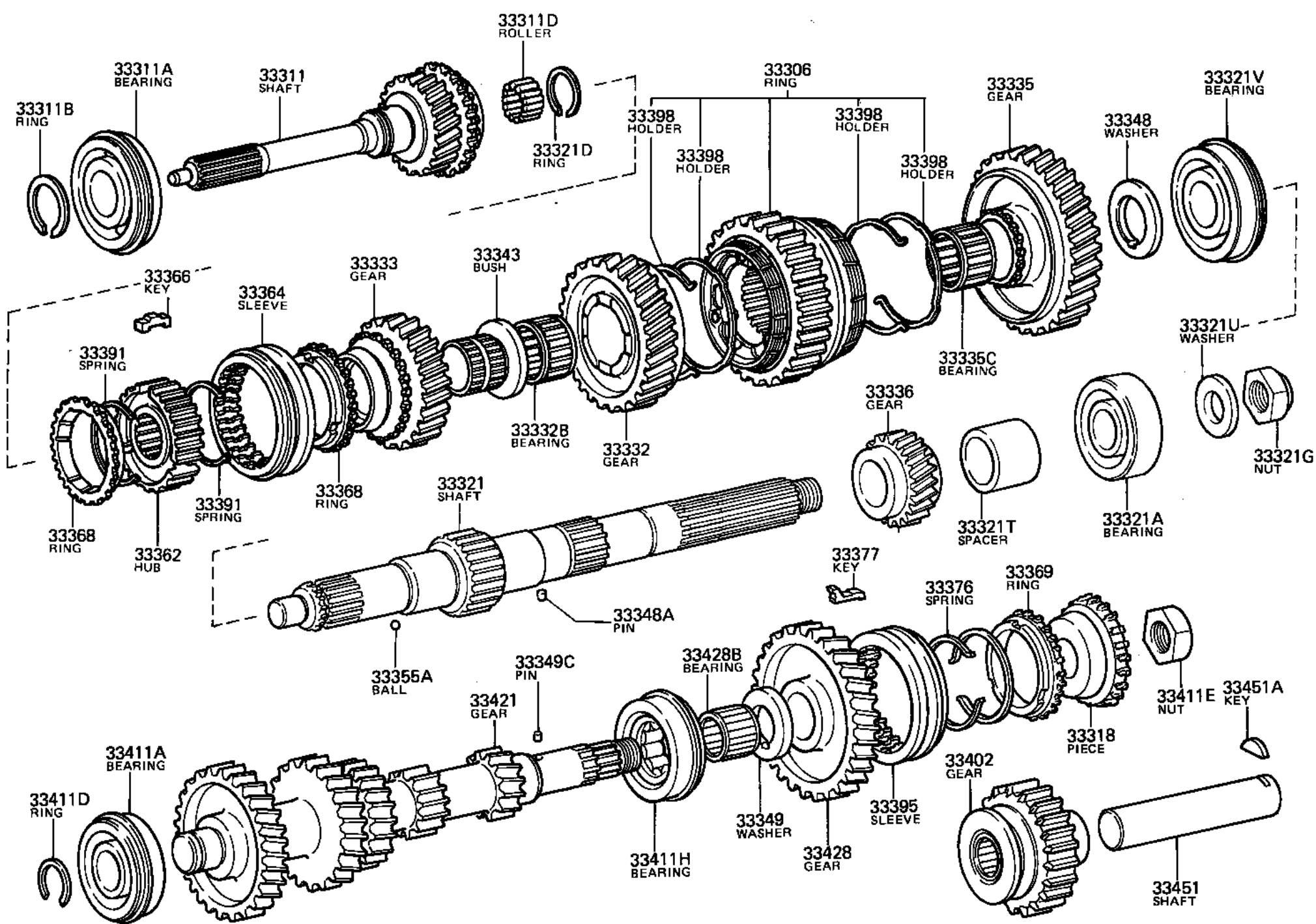


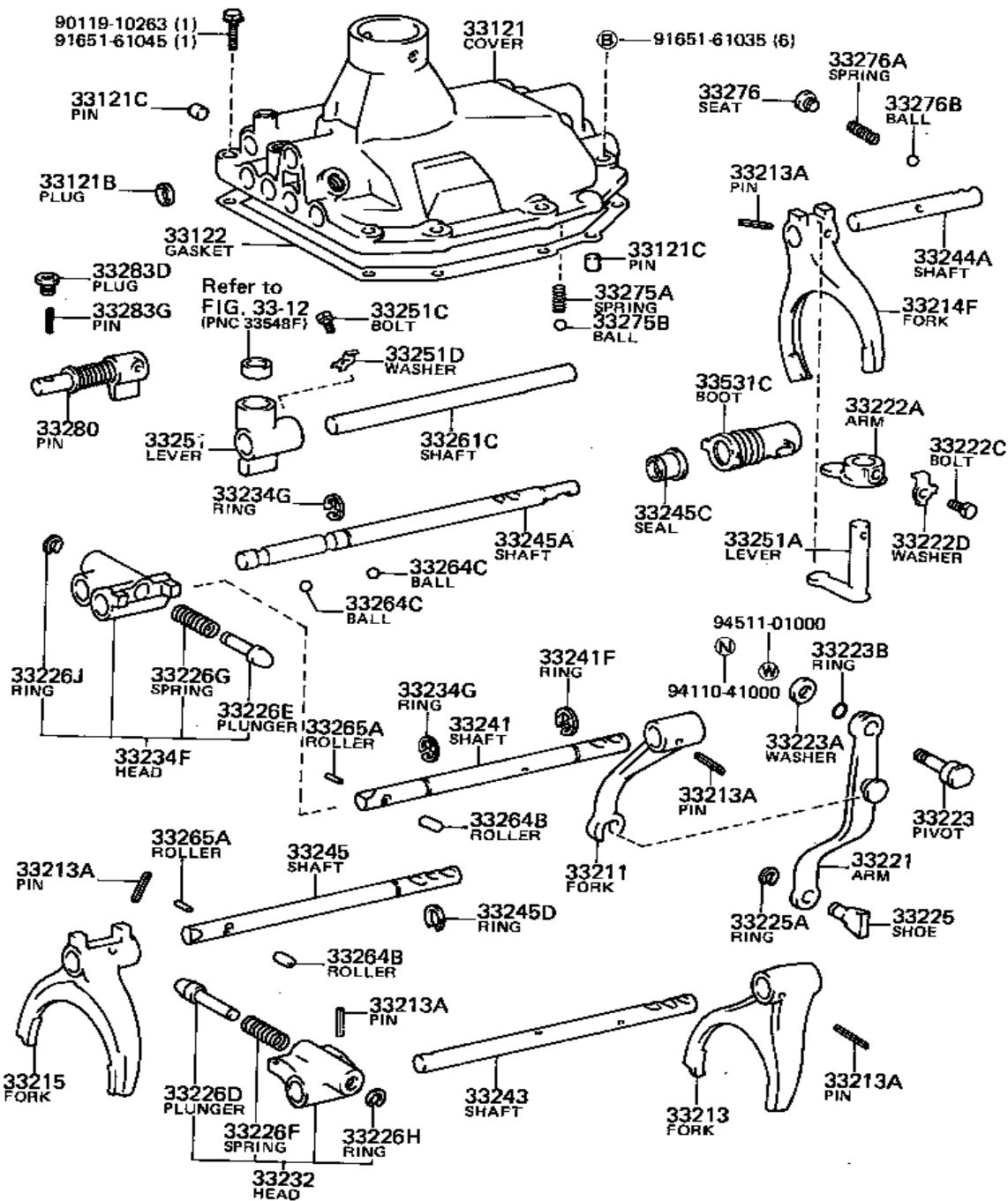
33403  
GEAR

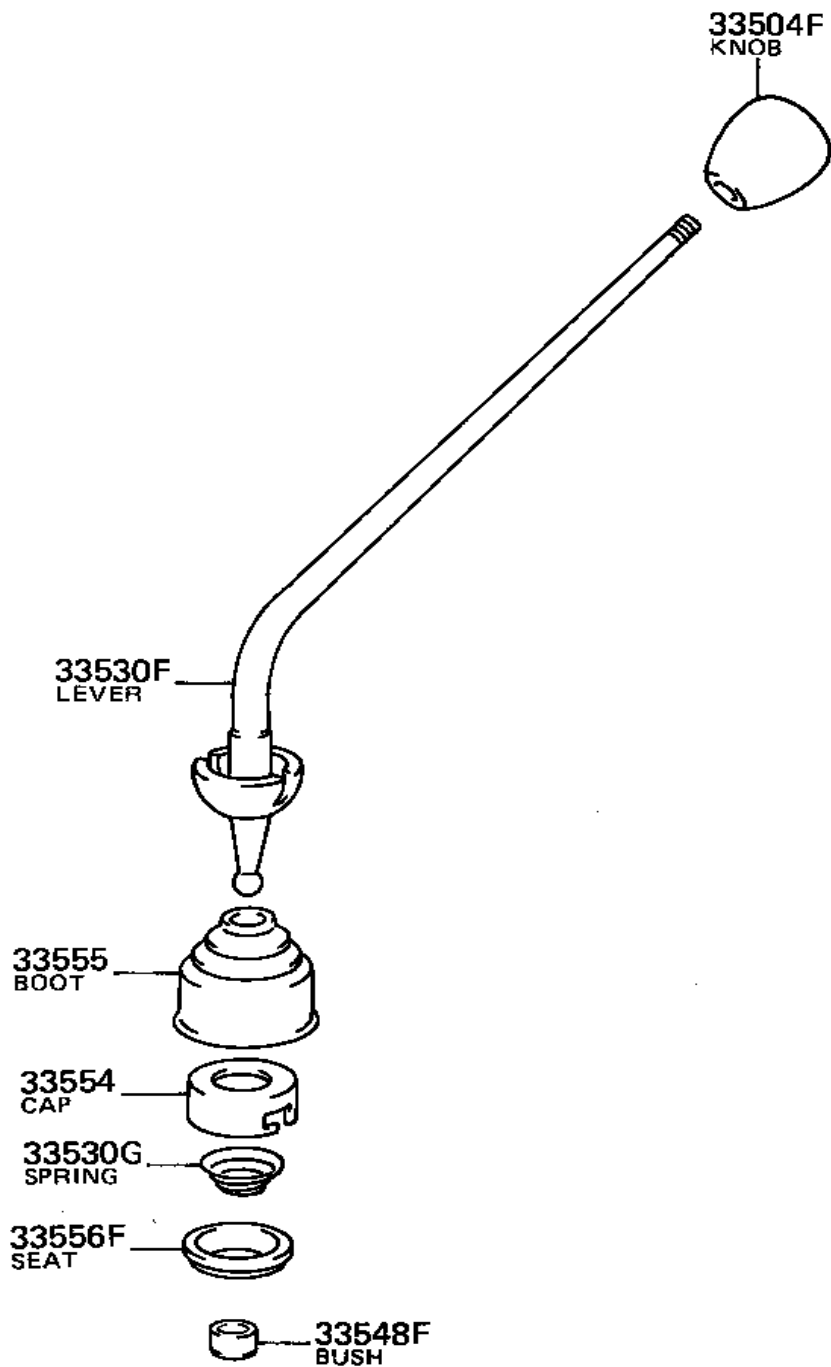


33404  
SLEEVE

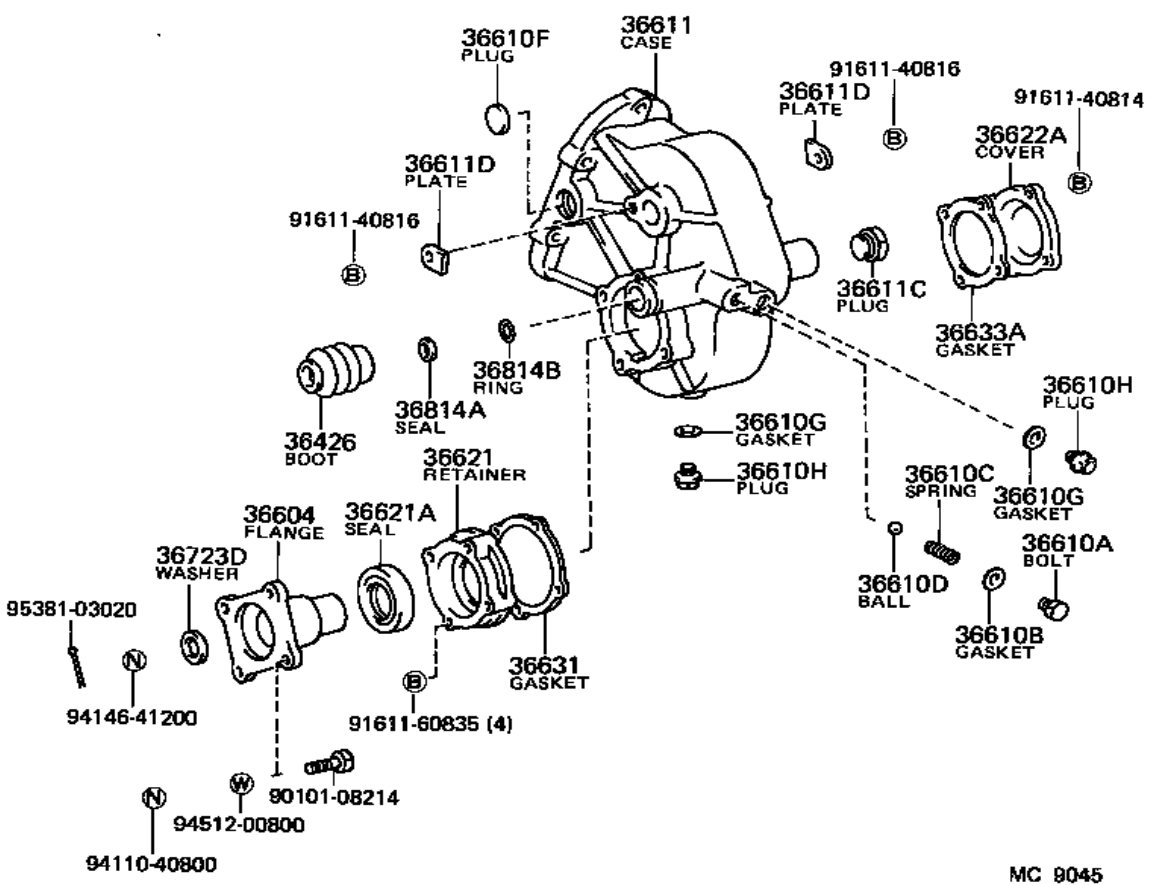
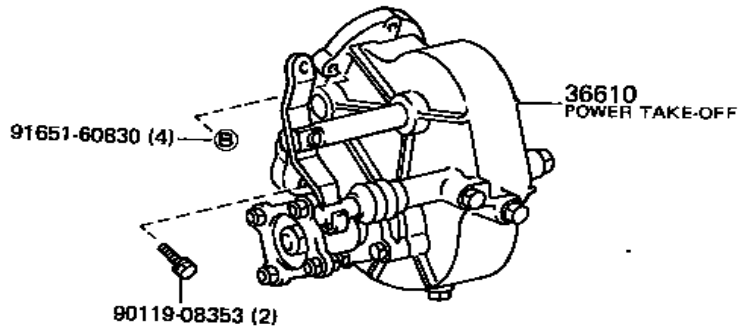




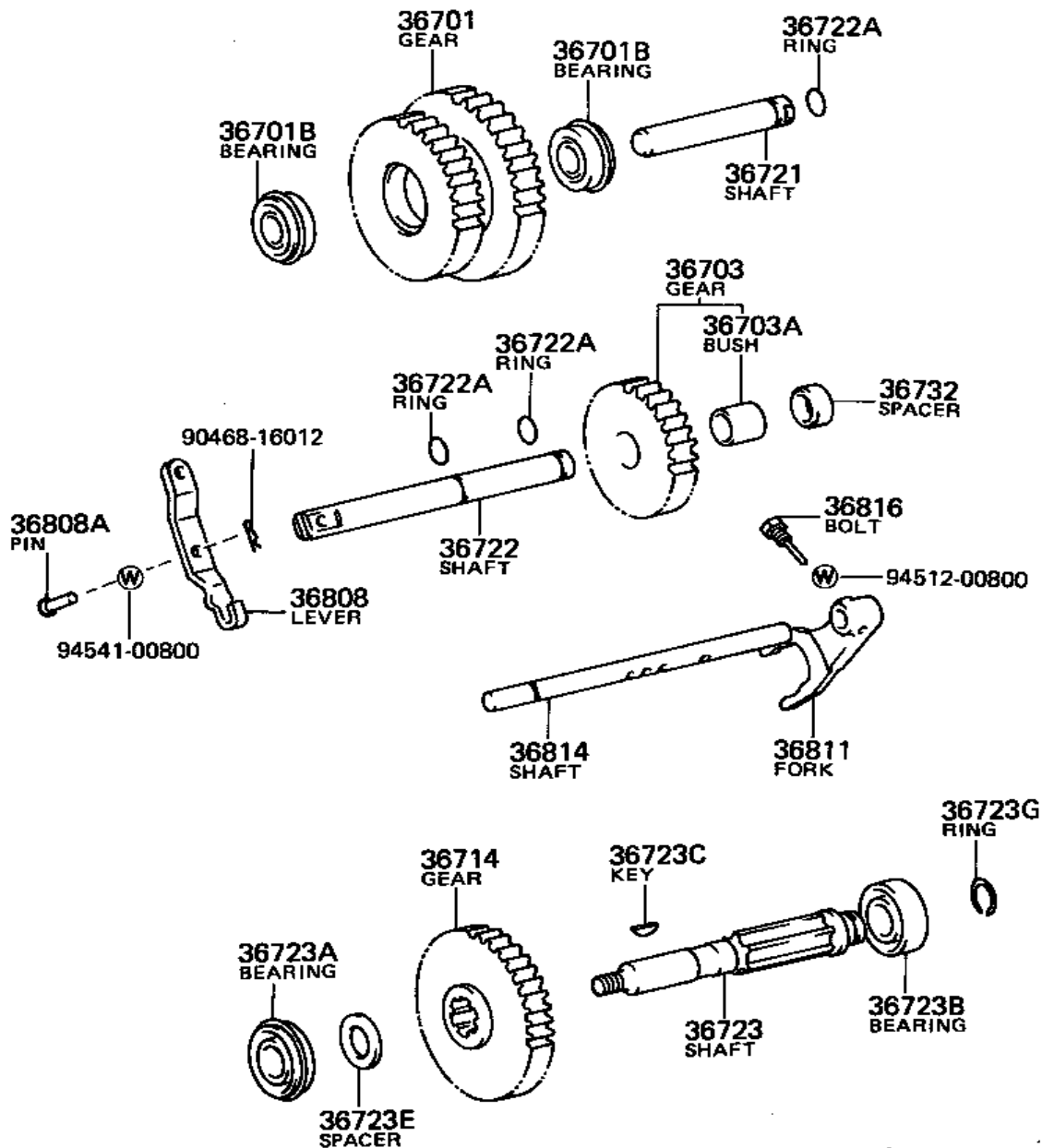




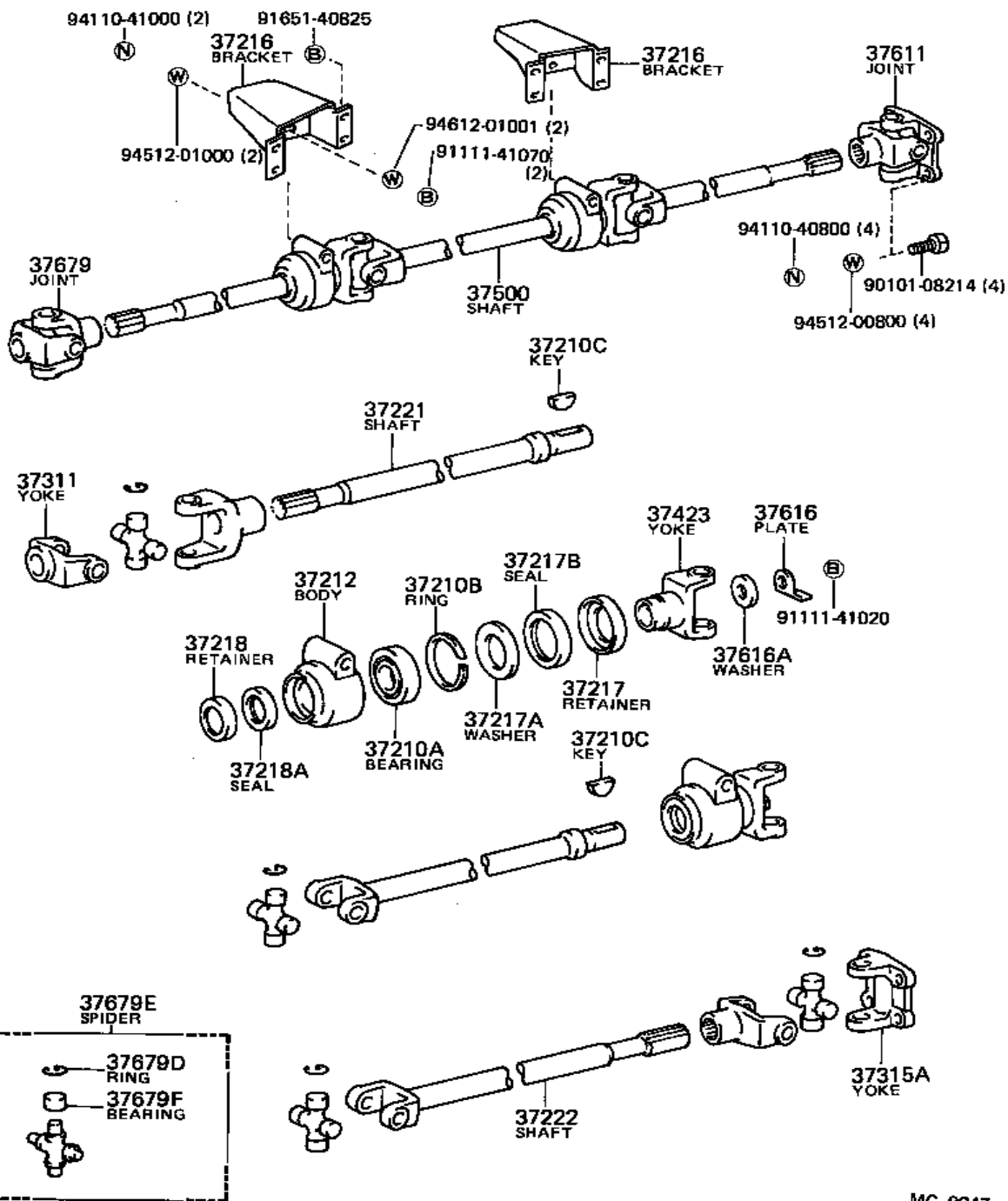
MC 9041-A

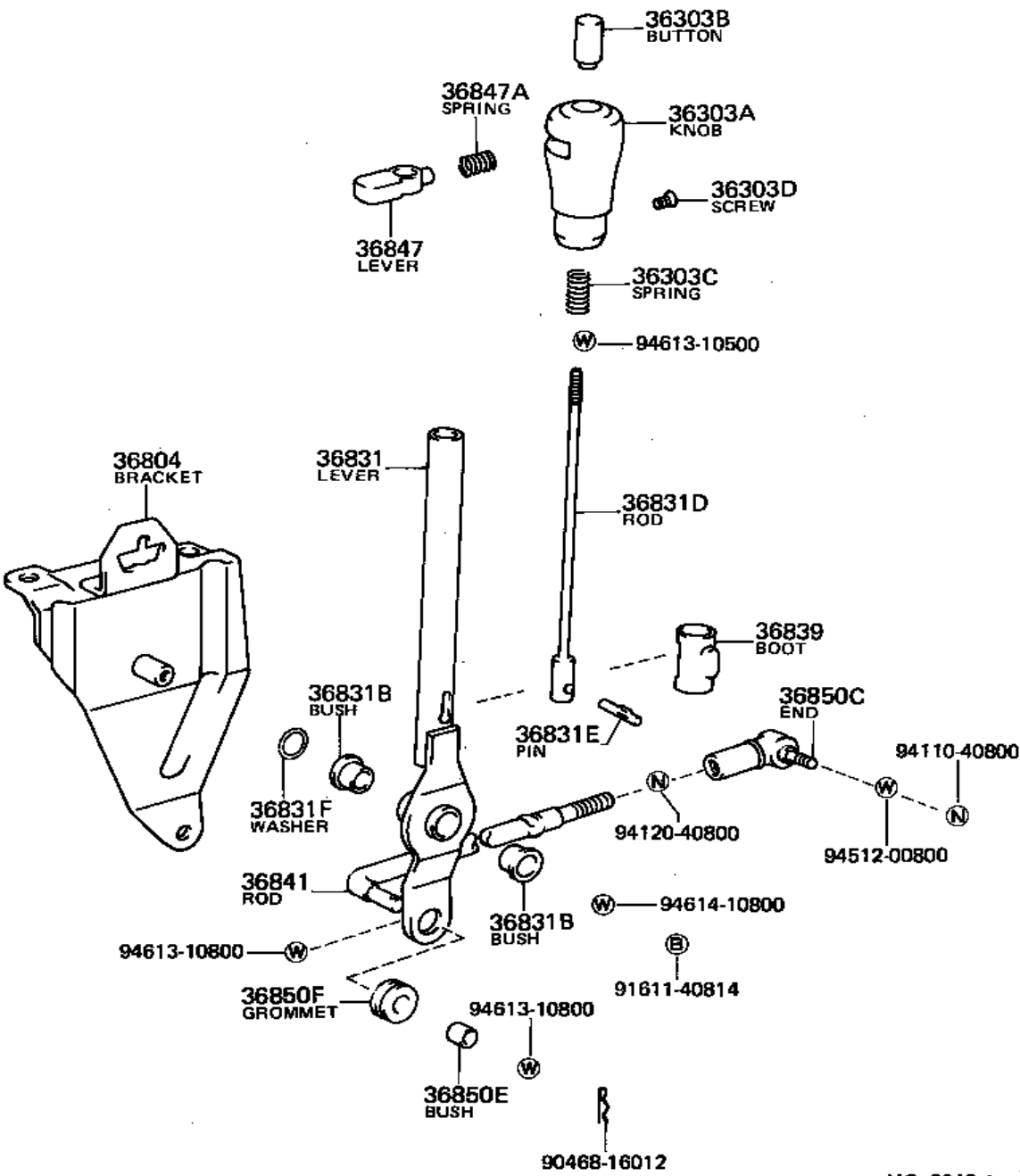




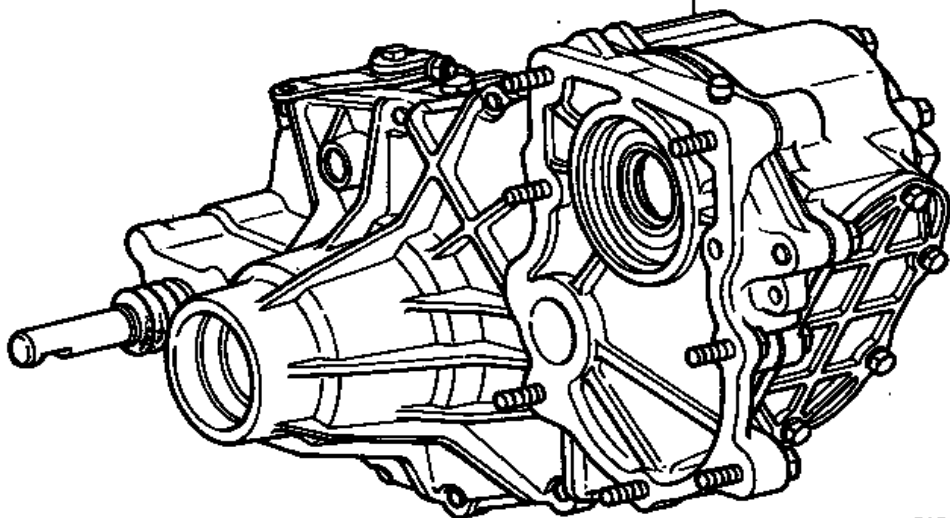


MC 9046-A

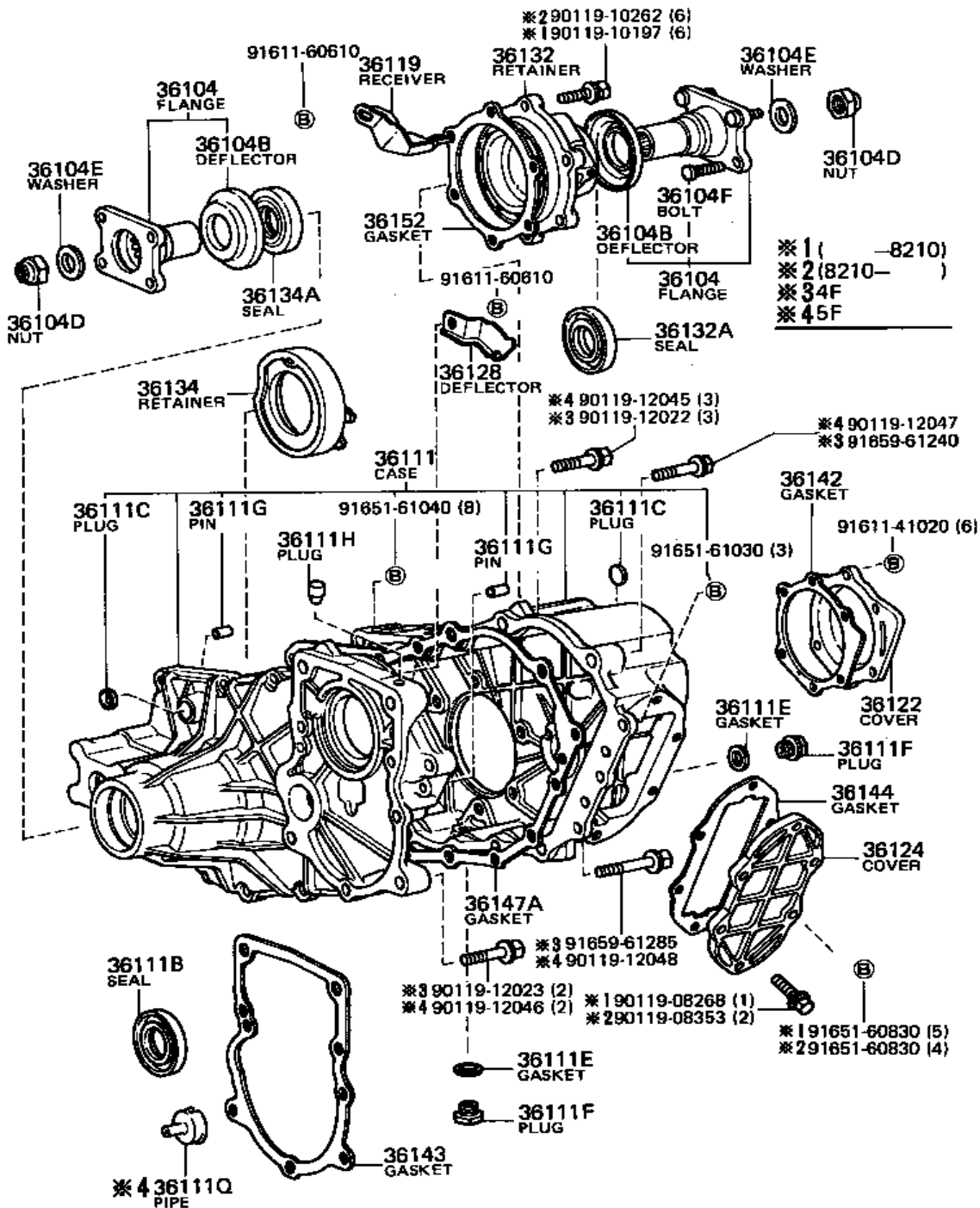


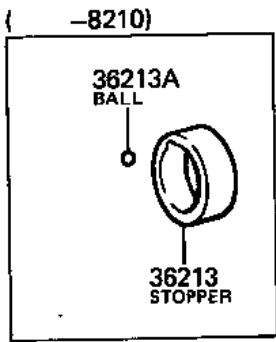


36110  
TRANSFER

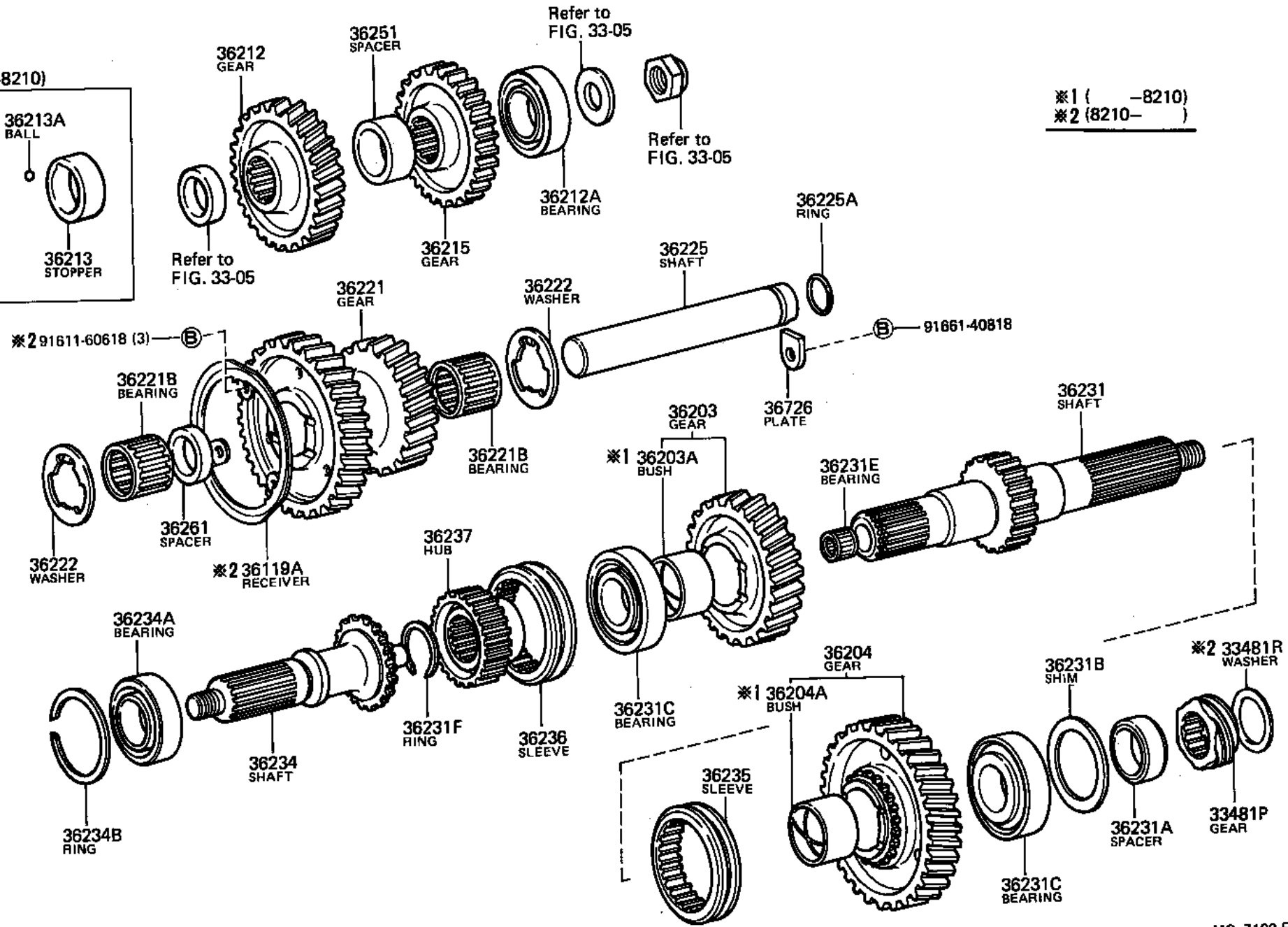


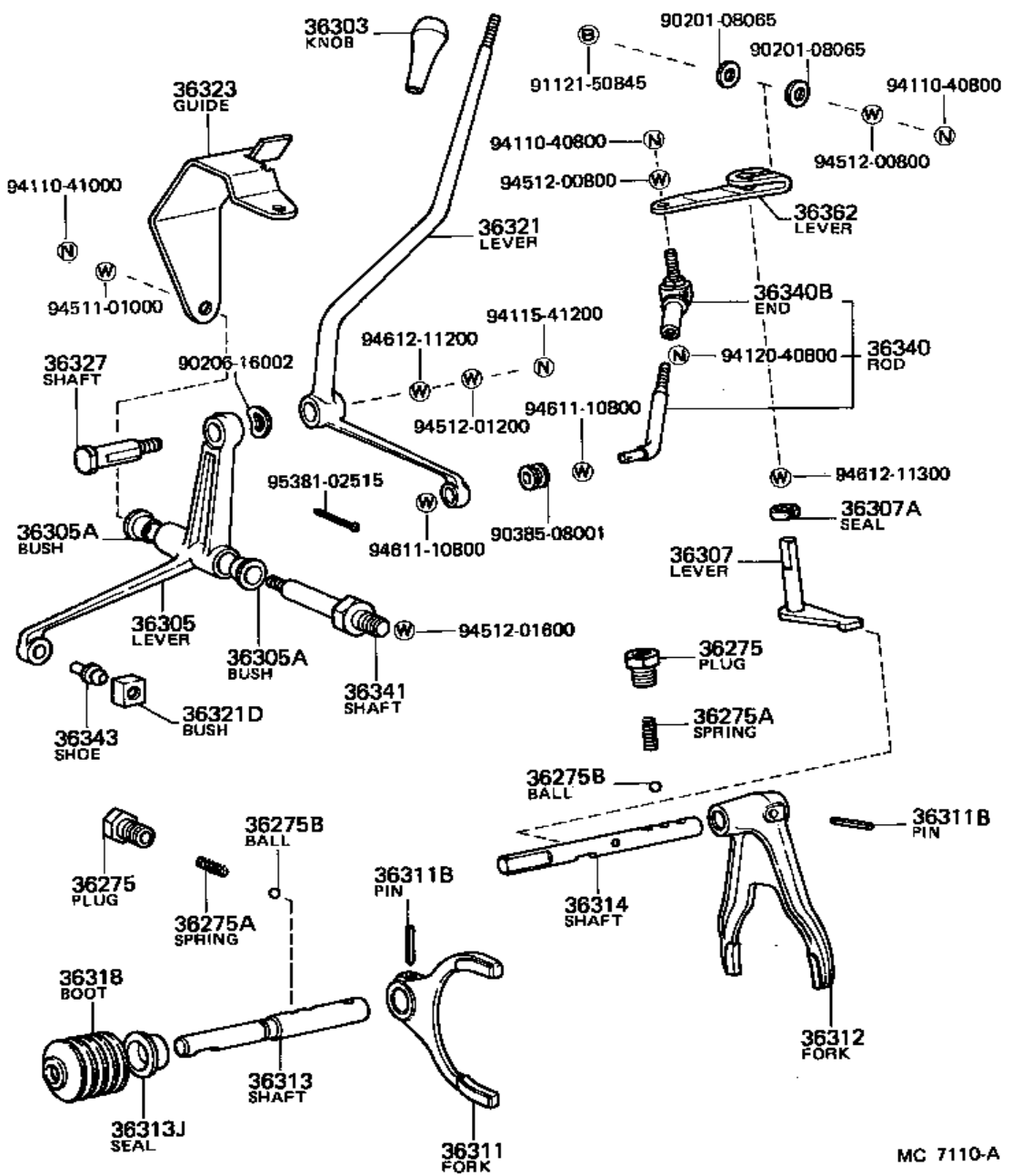
MC 7104



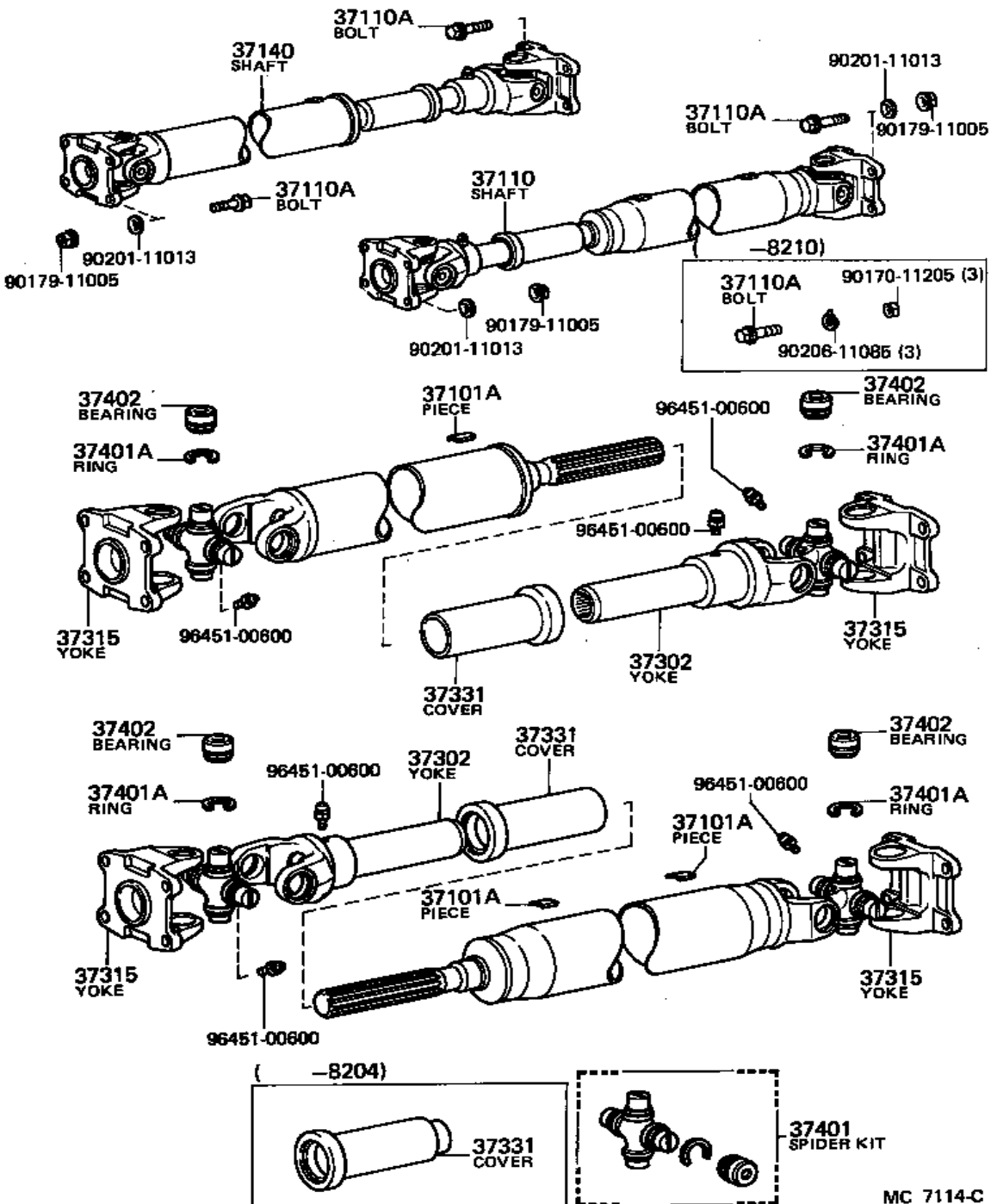


※1 ( -8210)  
※2 (8210- )





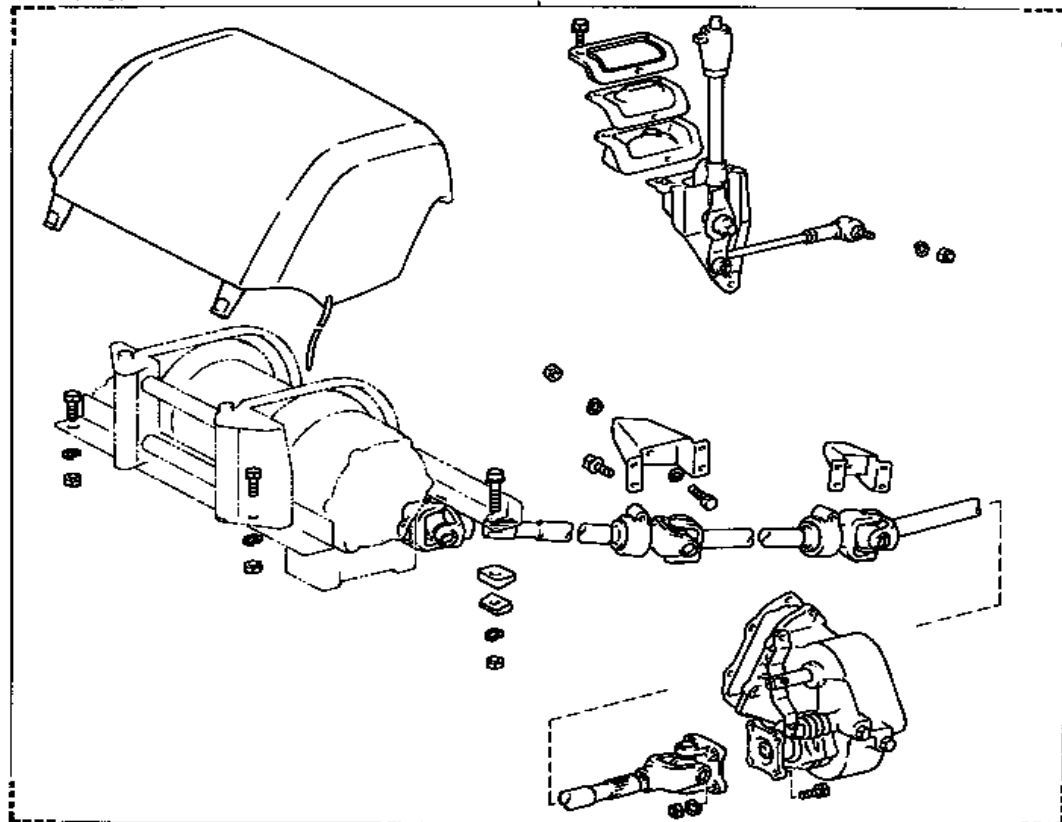
# Hooks Joint



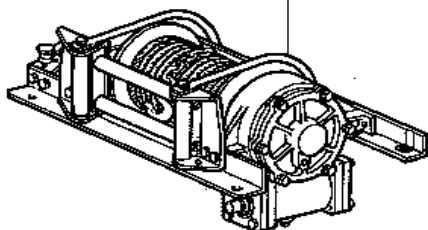


Mechanical Winch

38110M  
FITTING KIT

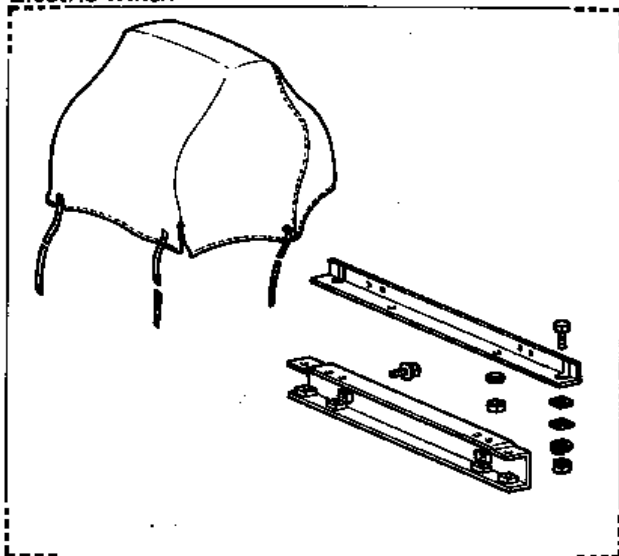


Refer to  
FIG. 36-15

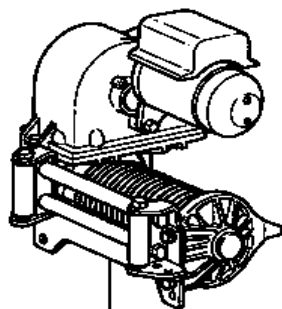


MC 9507-A

# Electric Winch

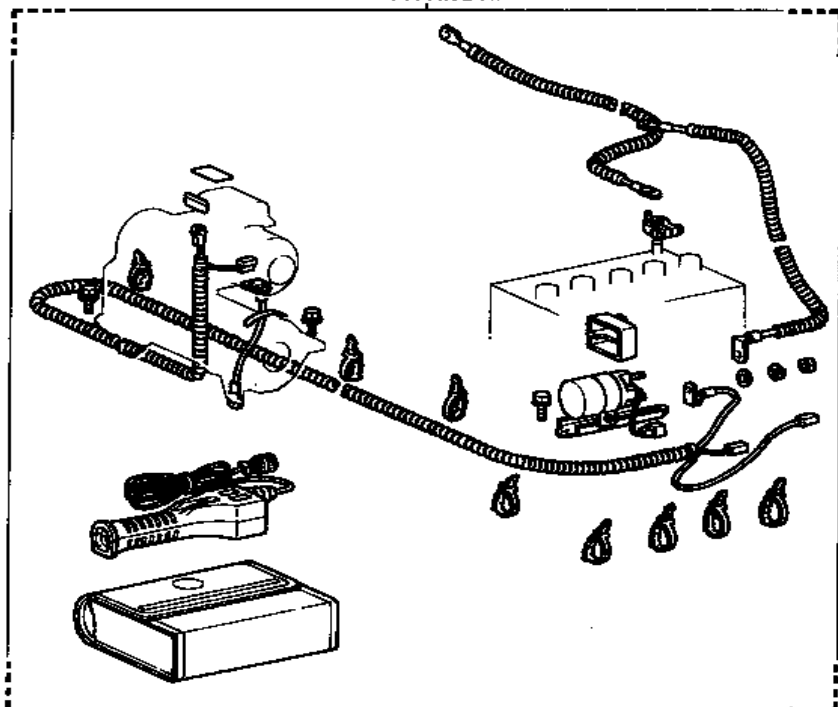


38110M  
FITTING KIT

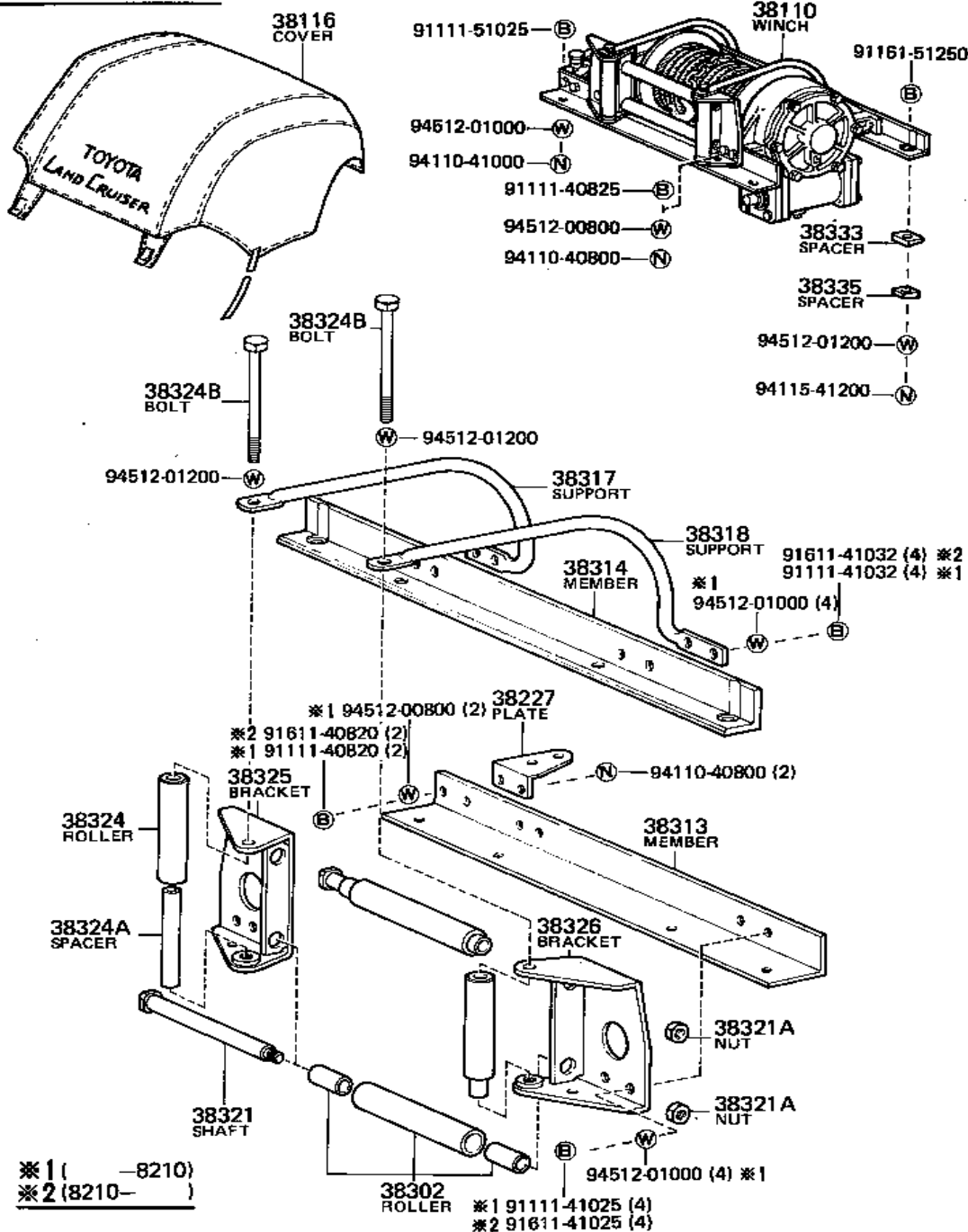


Refer to  
FIG. 36-15

38110N  
FITTING KIT

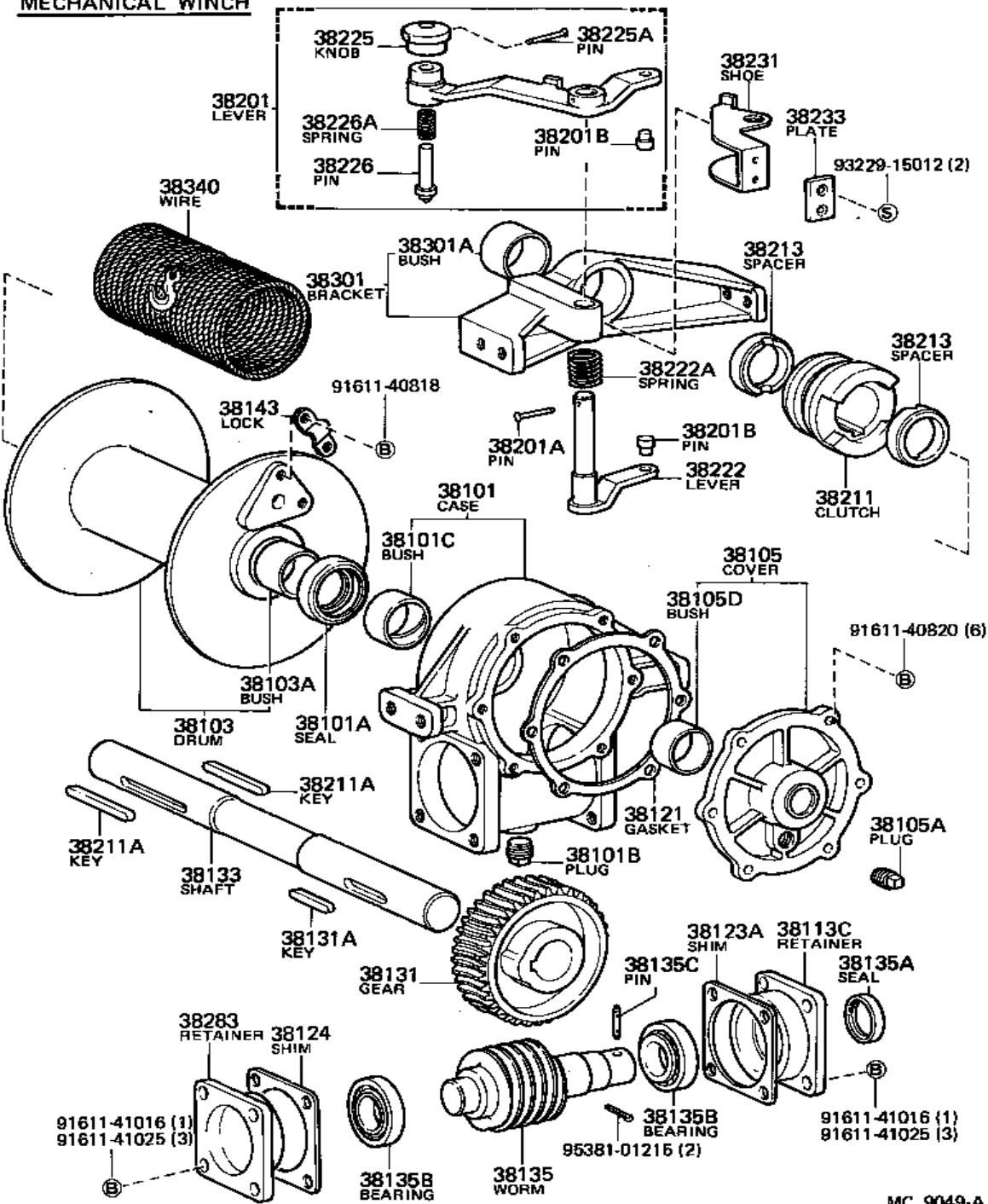


# MECHANICAL WINCH

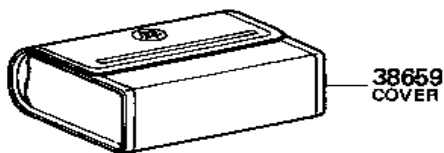
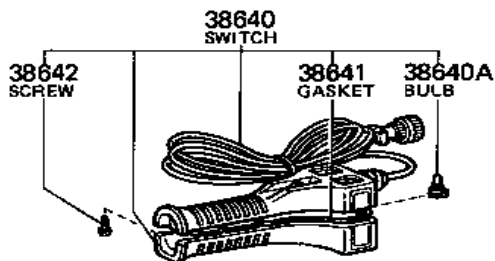
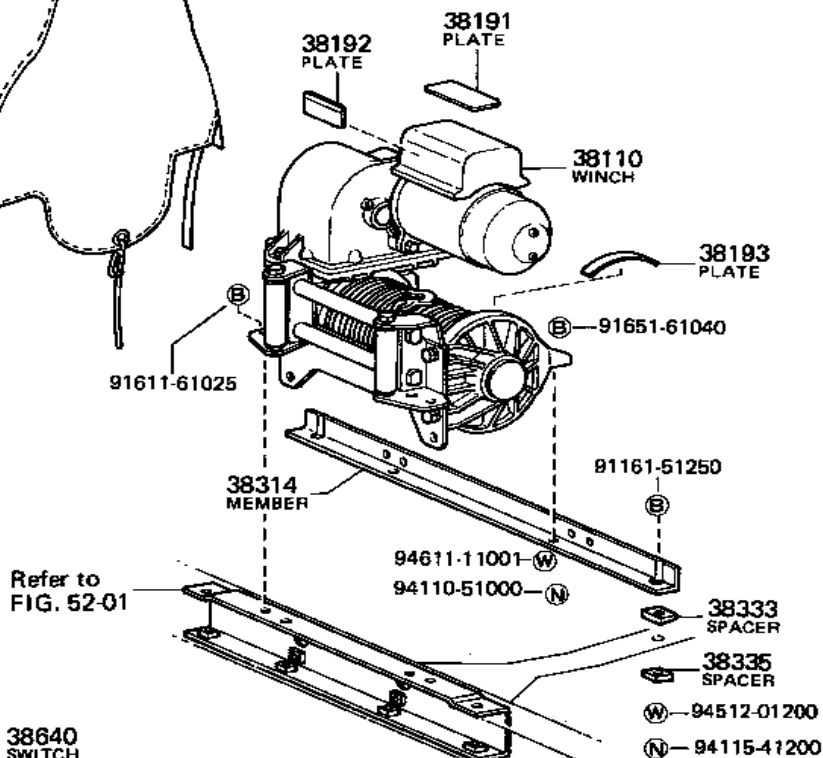
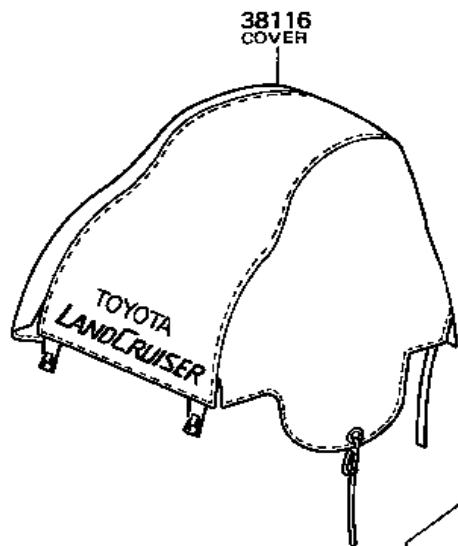
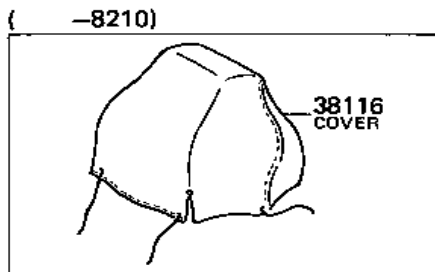


\*1 ( -8210)  
 \*2 (8210- )

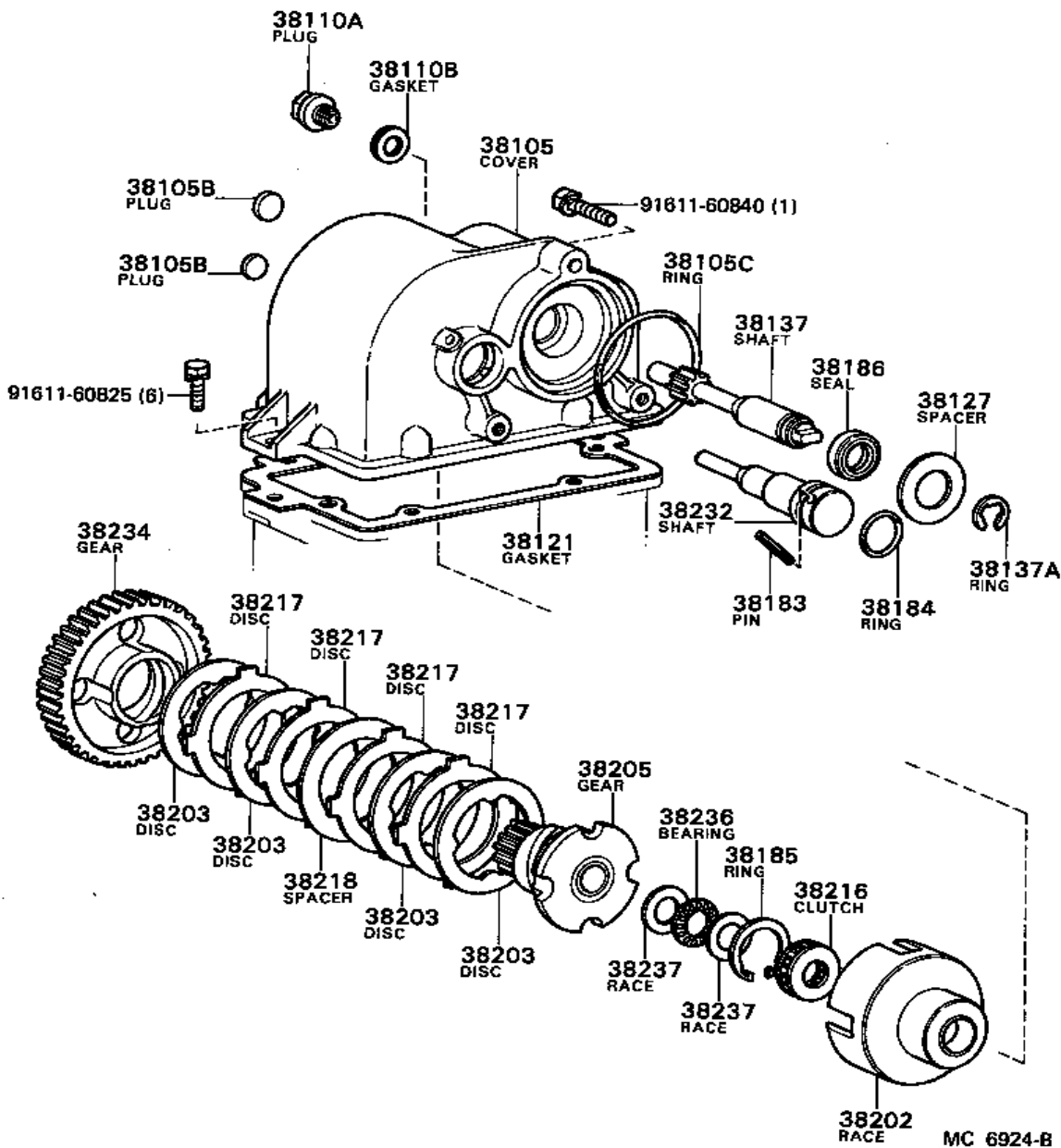
# MECHANICAL WINCH



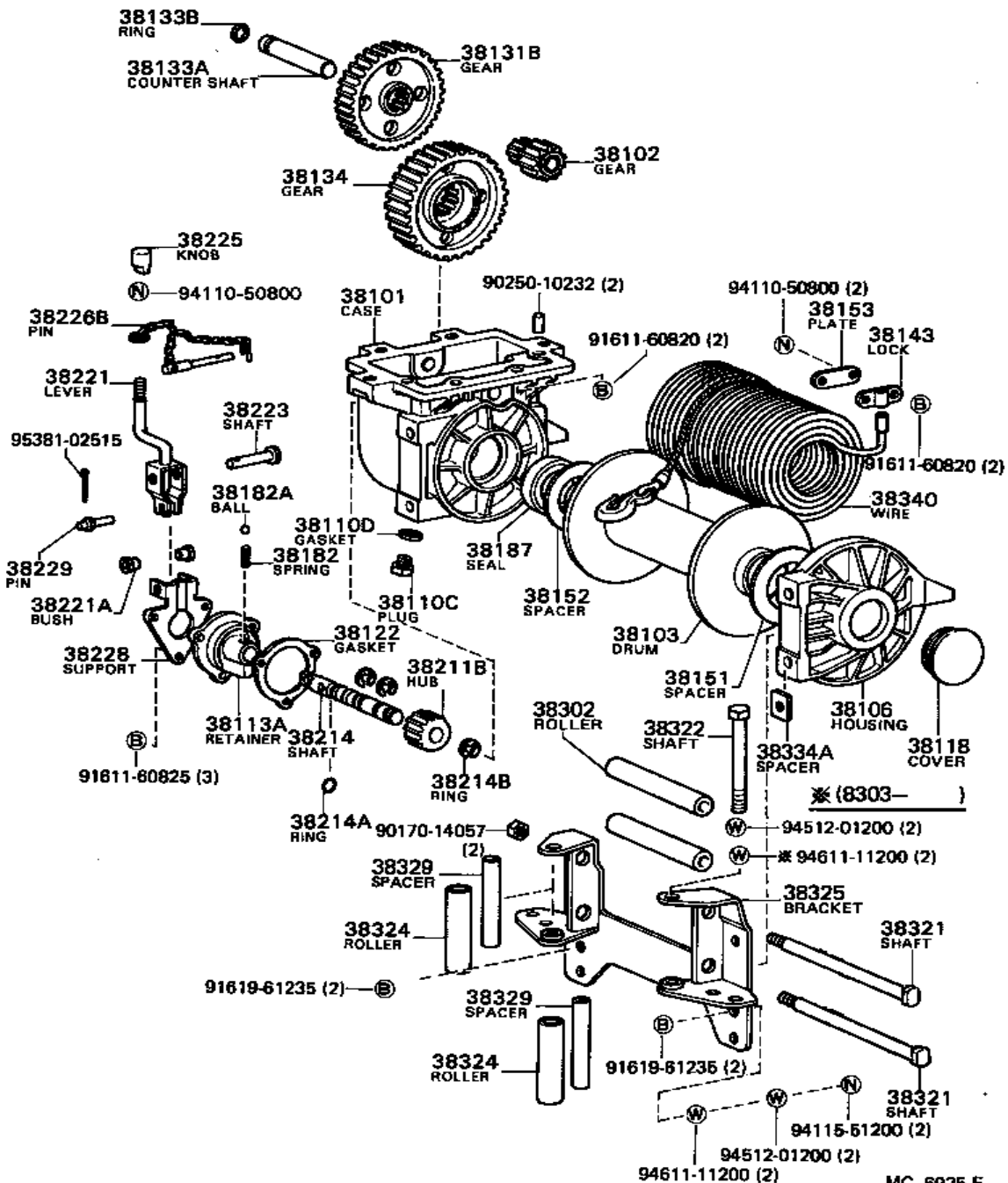
# ELECTRICAL WINCH



# ELECTRICAL WINCH

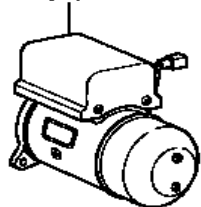


# ELECTRICAL WINCH



# ELECTRICAL WINCH

38600A  
MOTOR



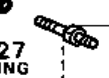
38622  
COVER



38621B  
COVER



38627  
BUSHING



38625  
BOLT

38626  
BUSHING



38611B  
SWITCH



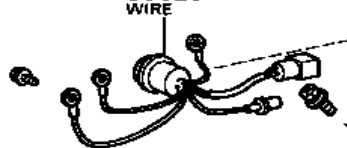
90119-06049



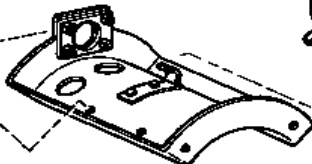
38623  
STOPPER



38629  
WIRE

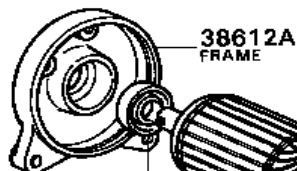


38628  
GROMMET



38610A  
MOTOR

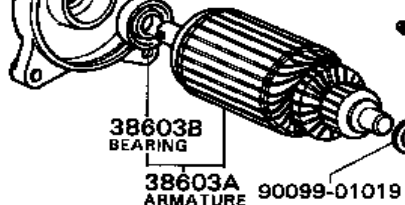
38612A  
FRAME



38603B  
BEARING

38603A  
ARMATURE

90099-01019

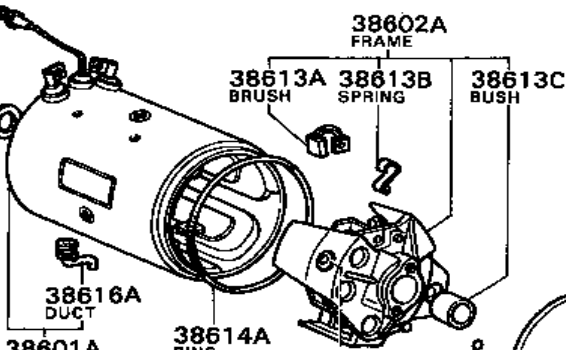


38602A  
FRAME

38613A  
BRUSH

38613B  
SPRING

38613C  
BUSH



38616A  
DUCT

38601A  
YOKE

38614A  
RING

38614A  
RING

38614  
COVER

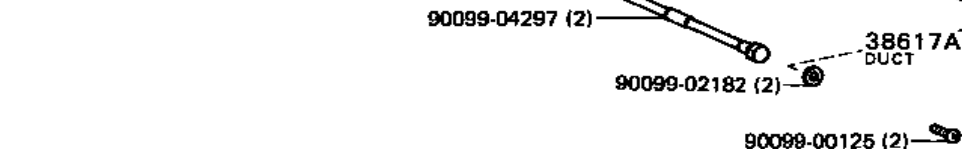


90099-04297 (2)

90099-02182 (2)

38617A  
DUCT

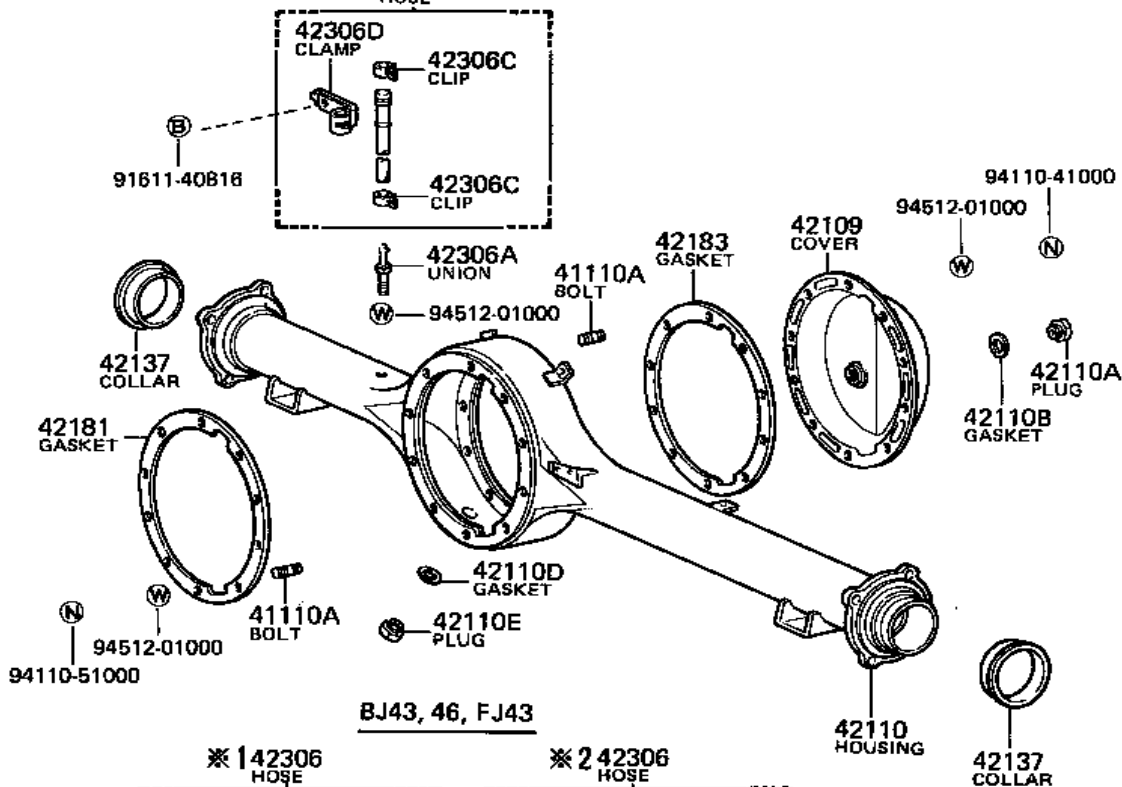
90099-00125 (2)





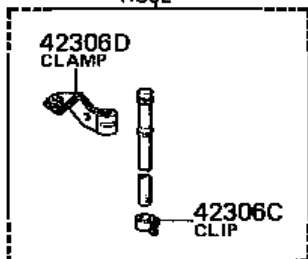
# Semi Floating Axle

BJ40, 42, 45, HJ47, FJ40, 45 42306 HOSE

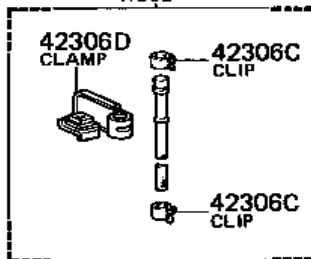


BJ43, 46, FJ43

※ 1 42306 HOSE



※ 2 42306 HOSE

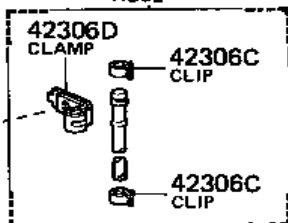


※ 1 ( -8104 ) BJ43, 46, FJ43  
 ( 8104 - ) FJ43  
 ※ 2 ( 8104 - ) BJ43, 46

# Full Floating Axle

BJ40, 42, 45, HJ47, FJ40, 45

42306  
HOSE



81611-40816

\* 41991  
PLATE



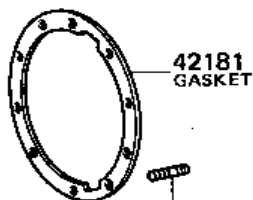
42306A  
UNION

94512-01000

42110B  
GASKET



42110A  
PLUG

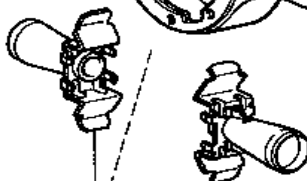


42181  
GASKET

94110-51000

94512-01000

41110A  
BOLT



42139  
DEFLECTOR

42139  
DEFLECTOR

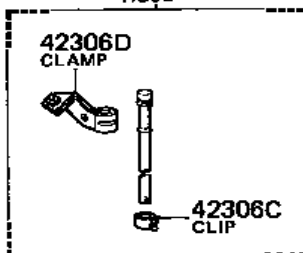
42110  
HOUSING

42110D  
GASKET

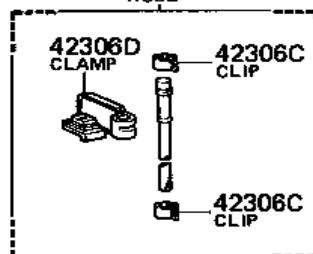
42110E  
PLUG

BJ43, 46, FJ43

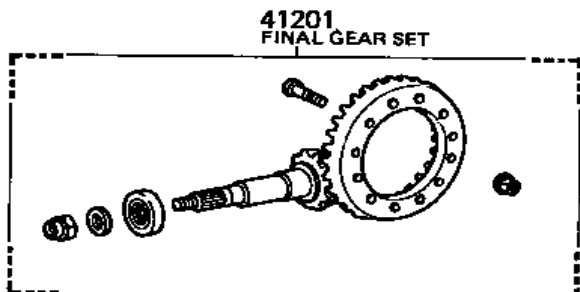
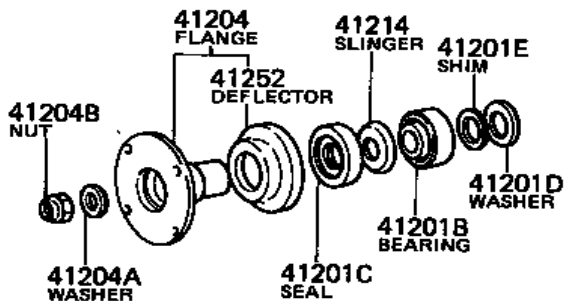
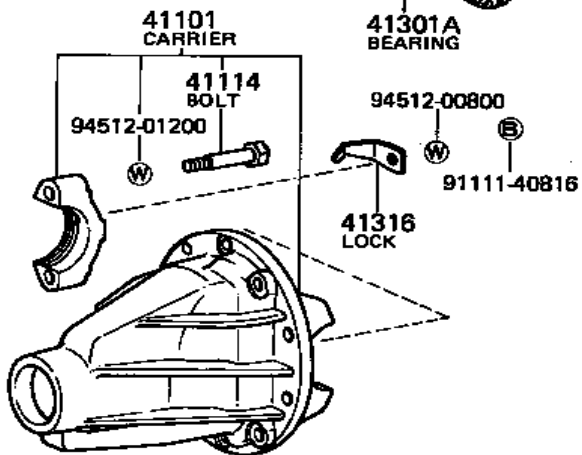
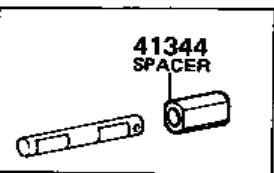
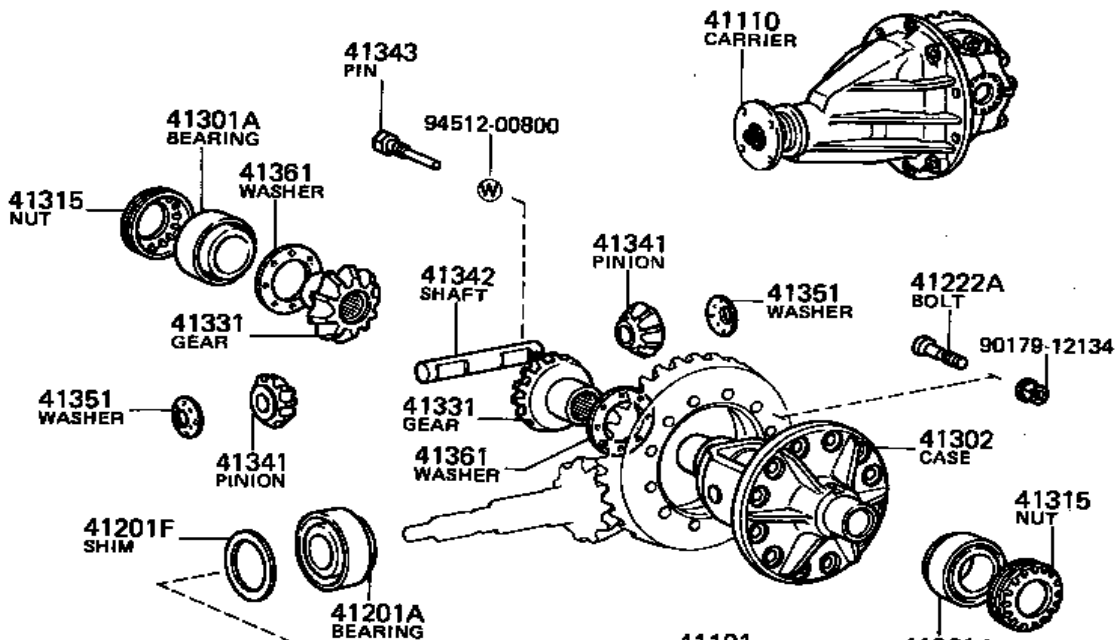
\* 1 42306  
HOSE



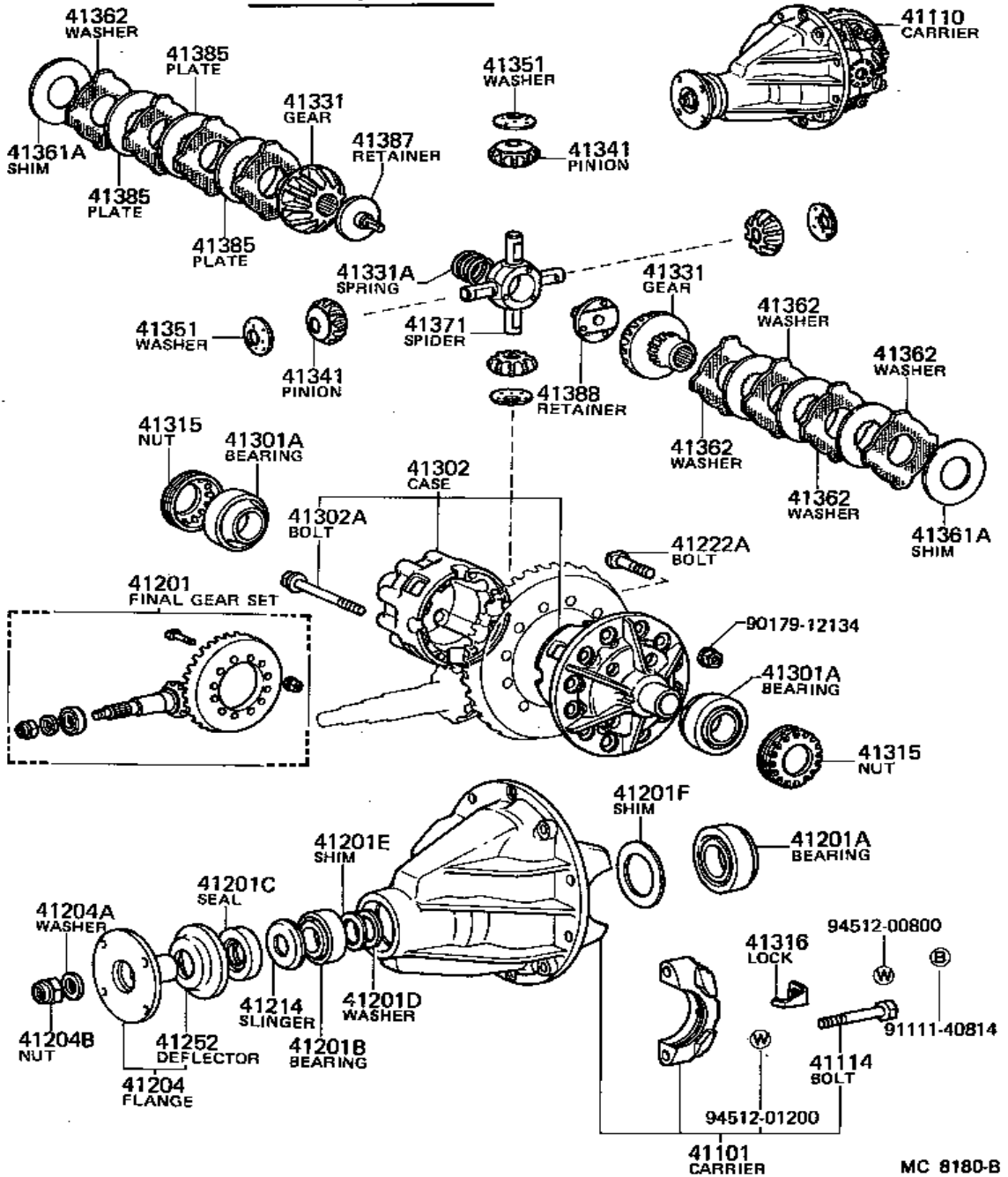
\* 2 42306  
HOSE



\* 1 (        -8104) BJ43, 46, FJ43  
      (8104-     ) FJ43  
\* 2 (8104-     ) BJ43, 46



# Limited Slip Differential



Semi Floating Axle

42611E  
BOLT

42441  
DEFLECTOR

42443  
GASKET

42311C  
BEARING

42311E  
SEAL

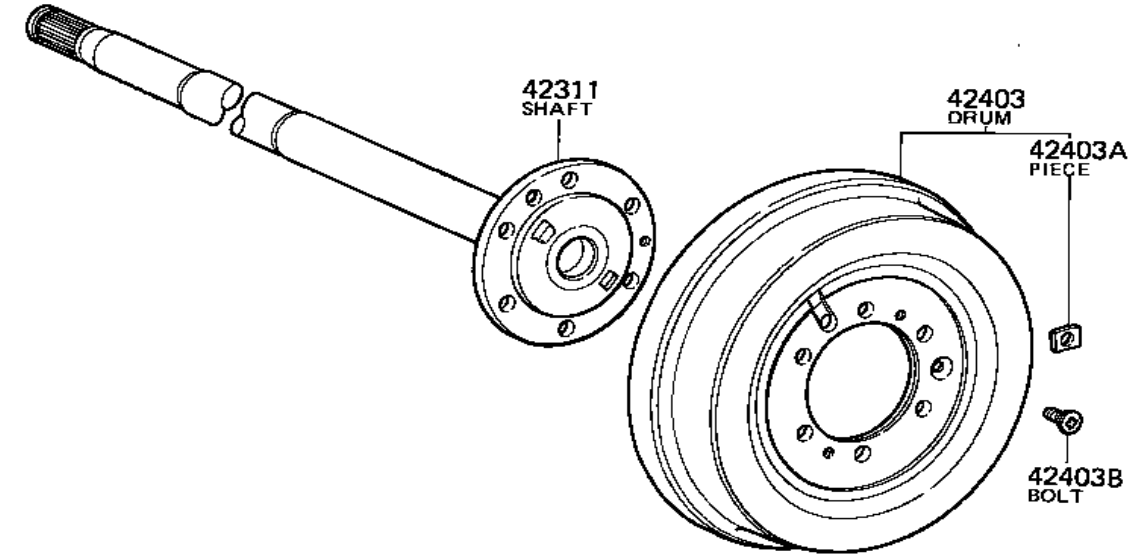
42325  
LOCK

42311  
SHAFT

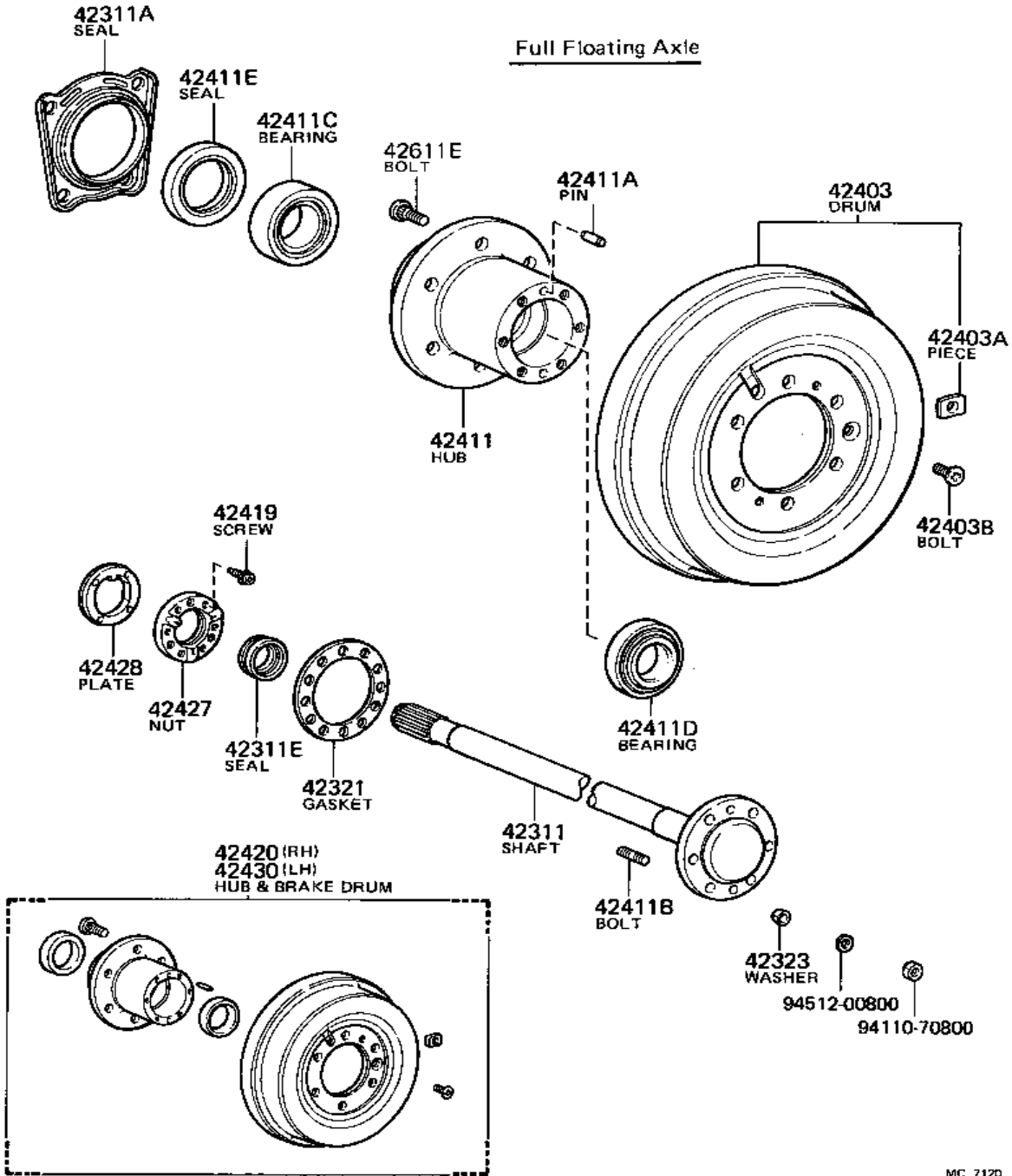
42403  
DRUM

42403A  
PIECE

42403B  
BOLT



Full Floating Axle



5.50F-15, 5.50F-16

6J-16

42601F (FR)  
42601R (RR)  
WHEEL

42601G (FR)  
42601S (RR)  
RING

42601D  
WEIGHT

42601C  
NUT

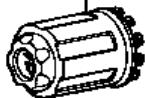
42601F (FR)  
42601R (RR)  
WHEEL

42601D  
WEIGHT

42601C  
NUT

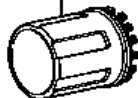
FR, RR (Full Floating Axle)

42603  
ORNAMENT



FR (Free Wheel Hub)

42603  
ORNAMENT

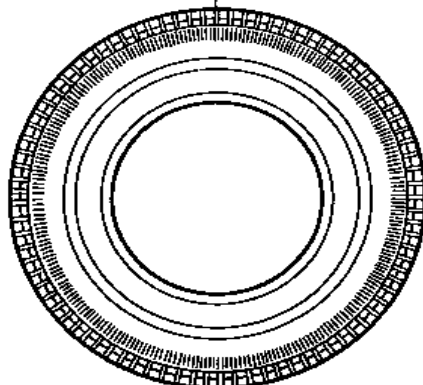


RR (Semi Floating Axle)

42603  
ORNAMENT



42611A  
TIRE TUBE SET



MC 9051

43411D  
SEAL

43110  
HOUSING

43611  
GASKET

43600A  
BOLT

94110-51000

94512-01000

43110E  
PLUG

43110C  
PLUG

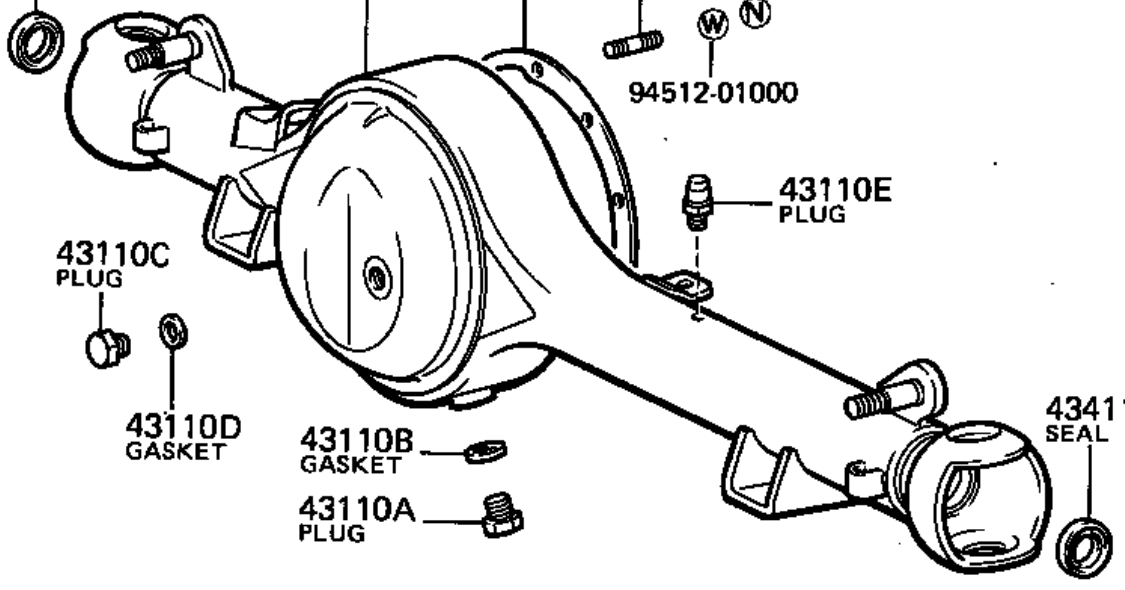
43110D  
GASKET

43110B  
GASKET

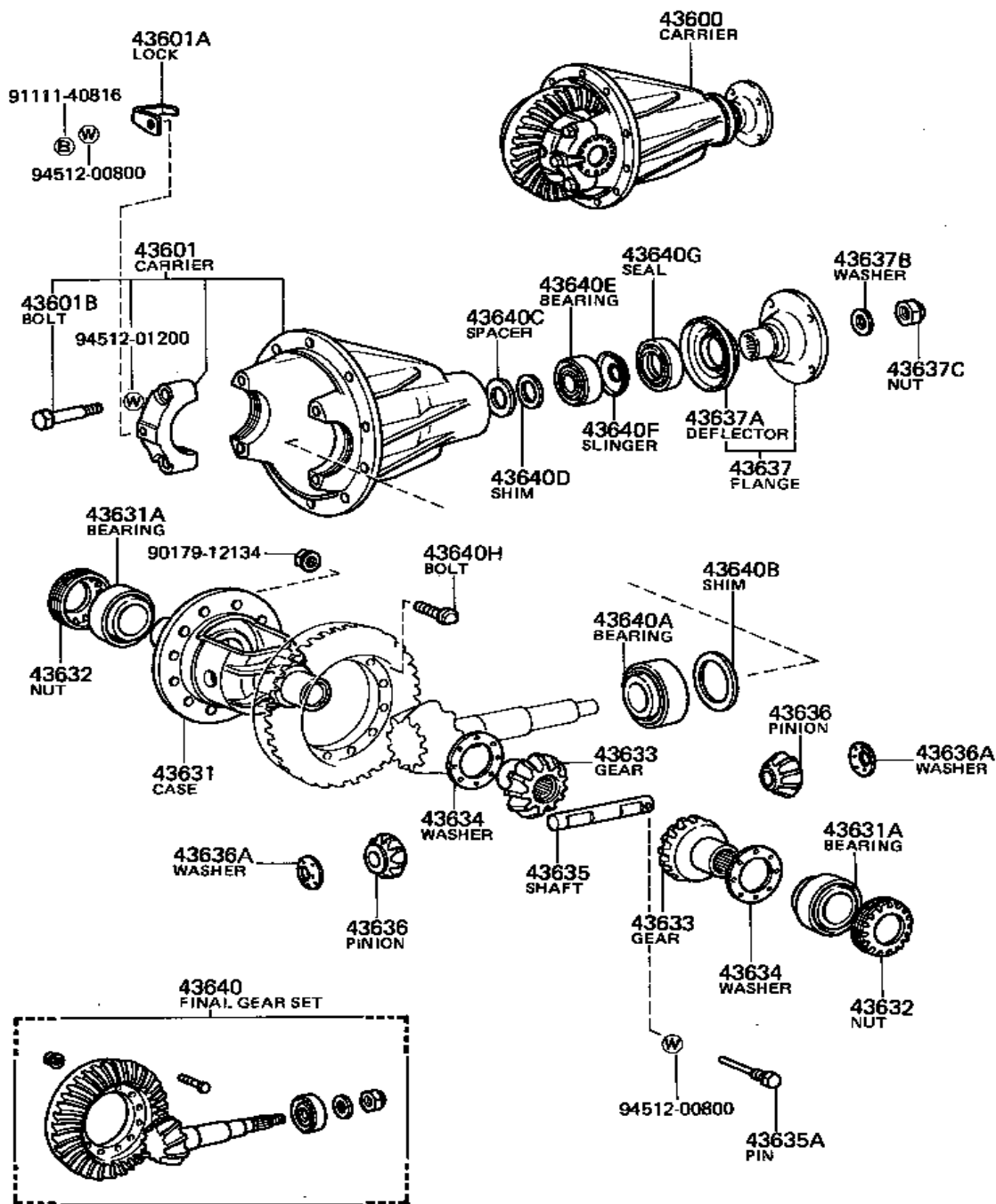
43110A  
PLUG

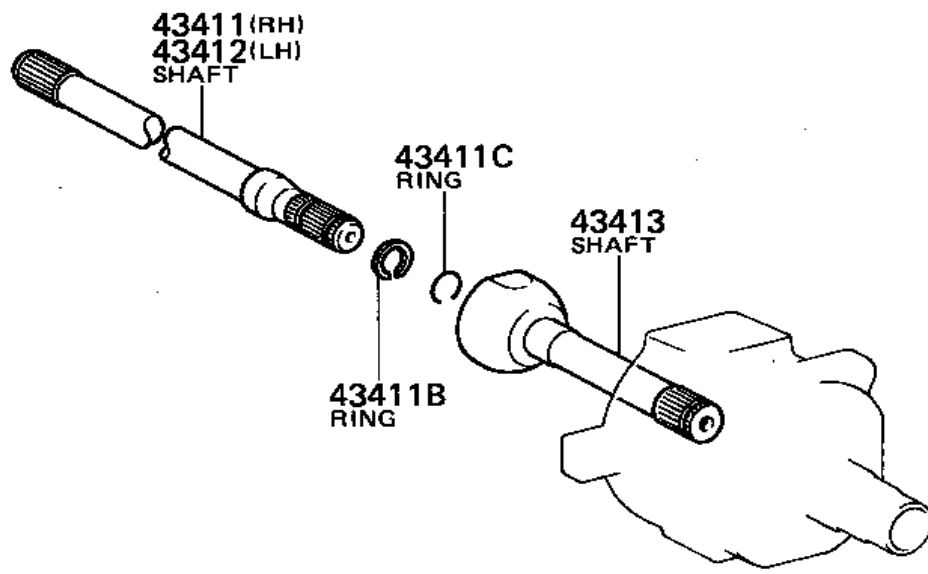
43411D  
SEAL

MC 715B-B





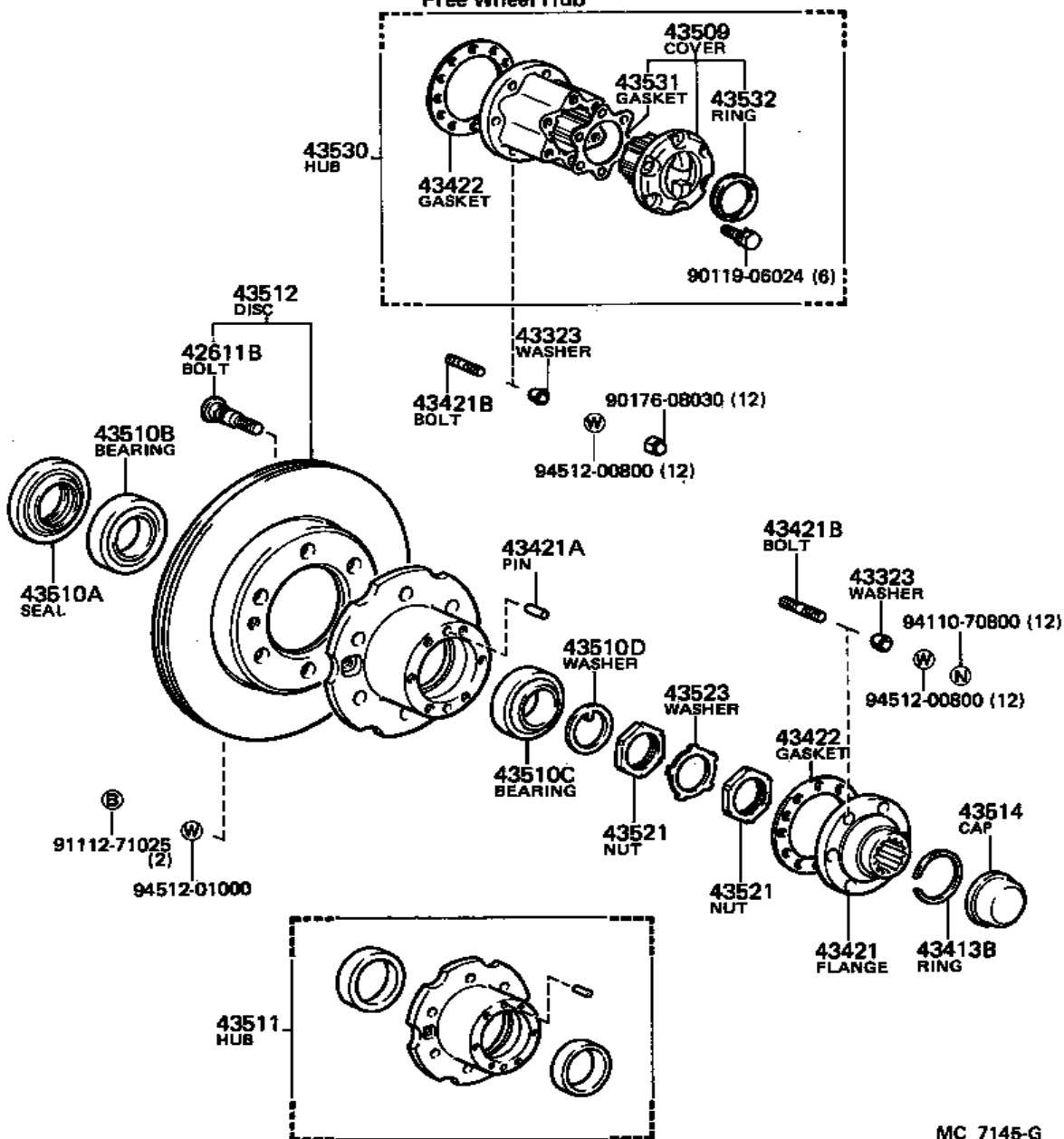




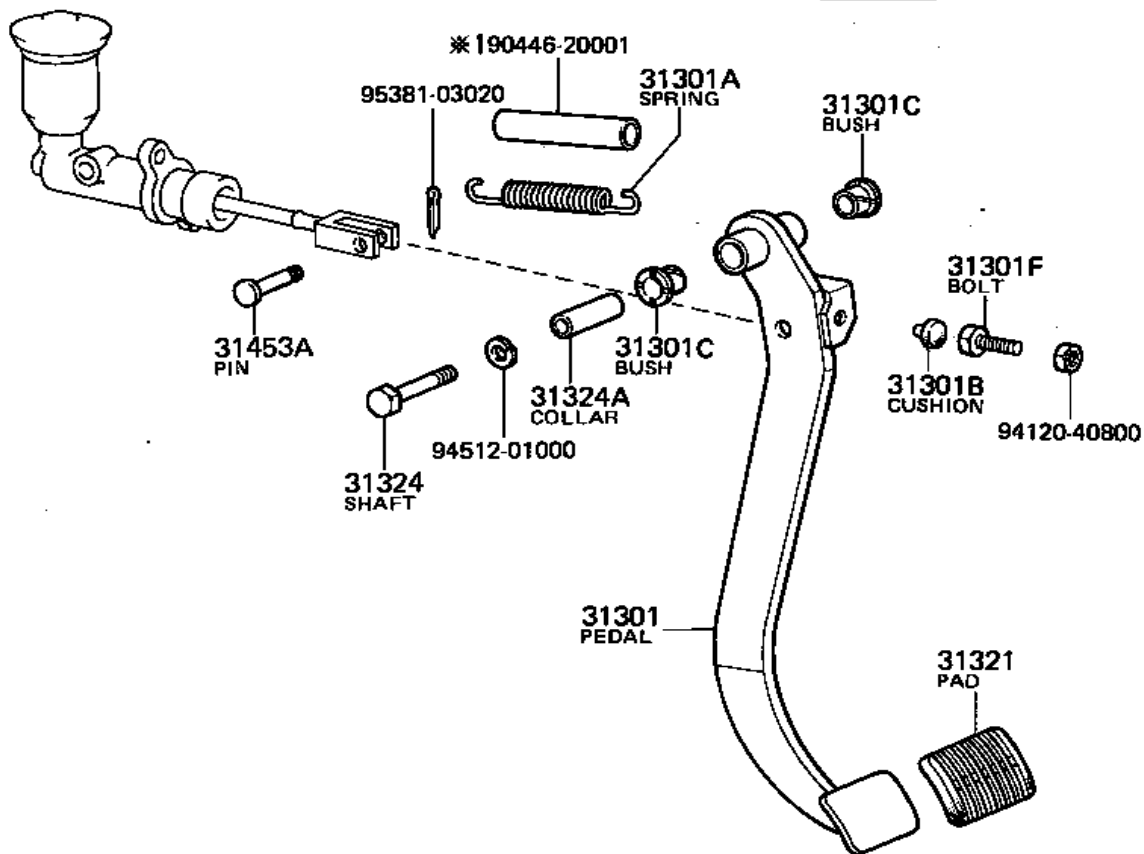
MC 8182

Disc Brake

Free Wheel Hub



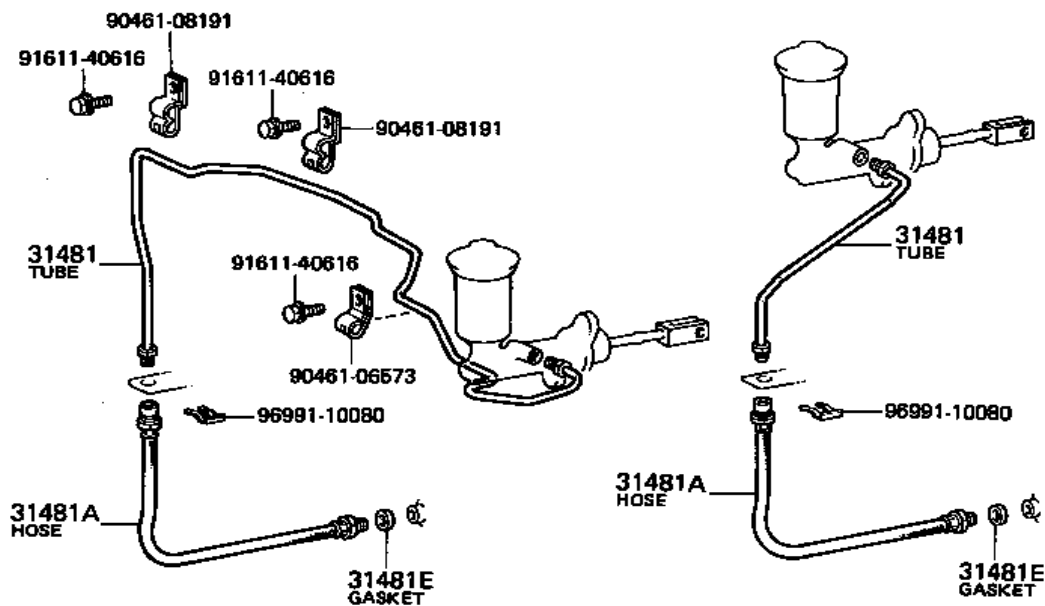
※ | LHD



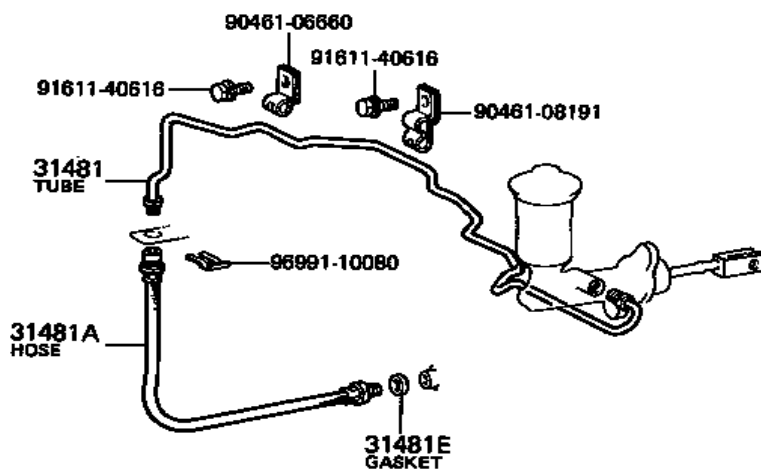
MC 7080

FJ

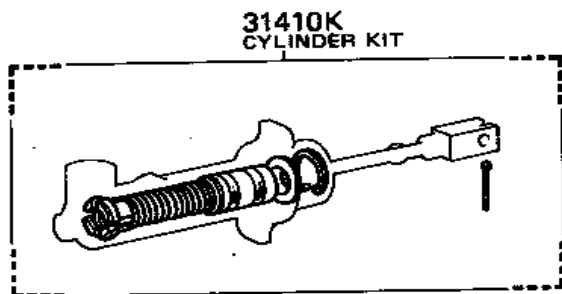
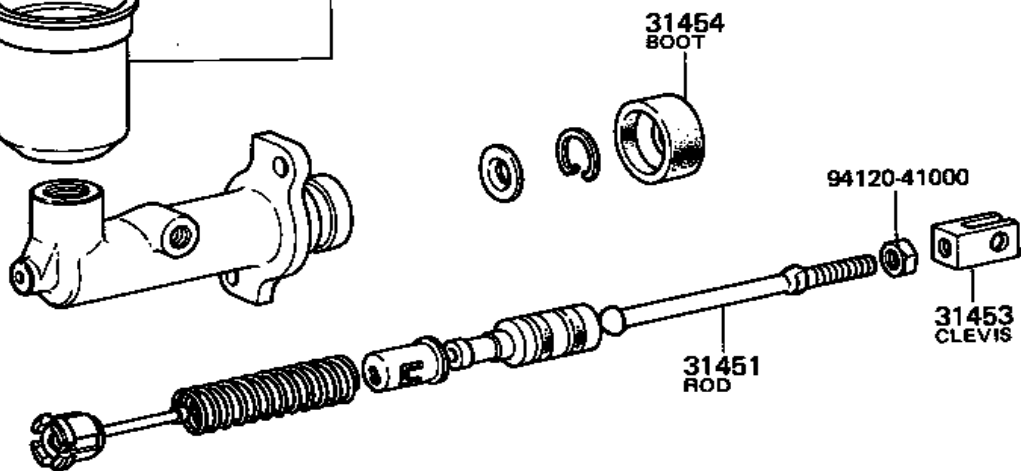
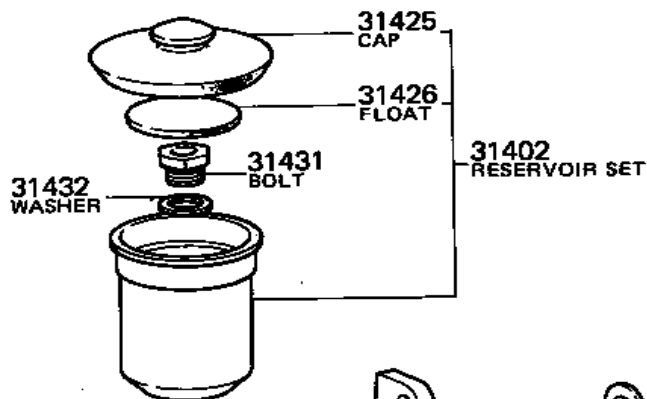
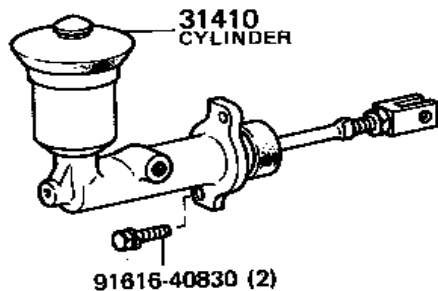
BJ

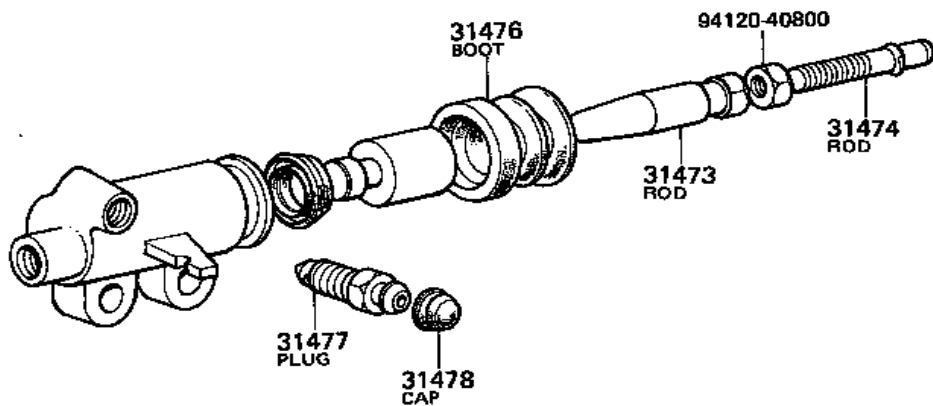
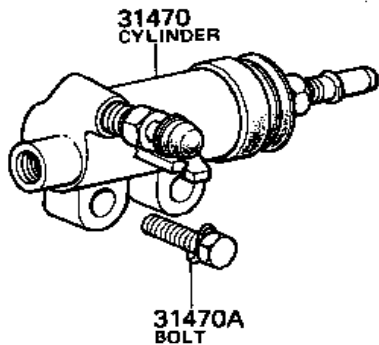


HJ

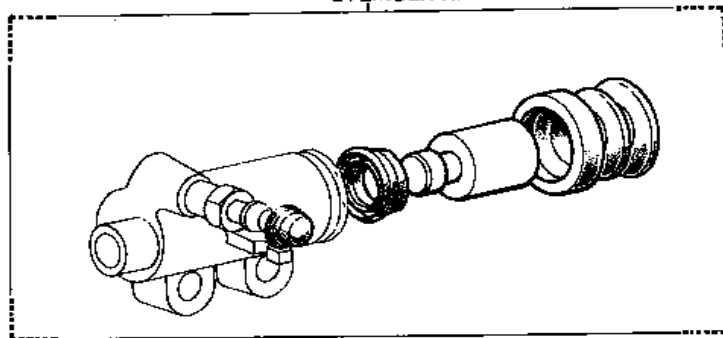


MC 7083

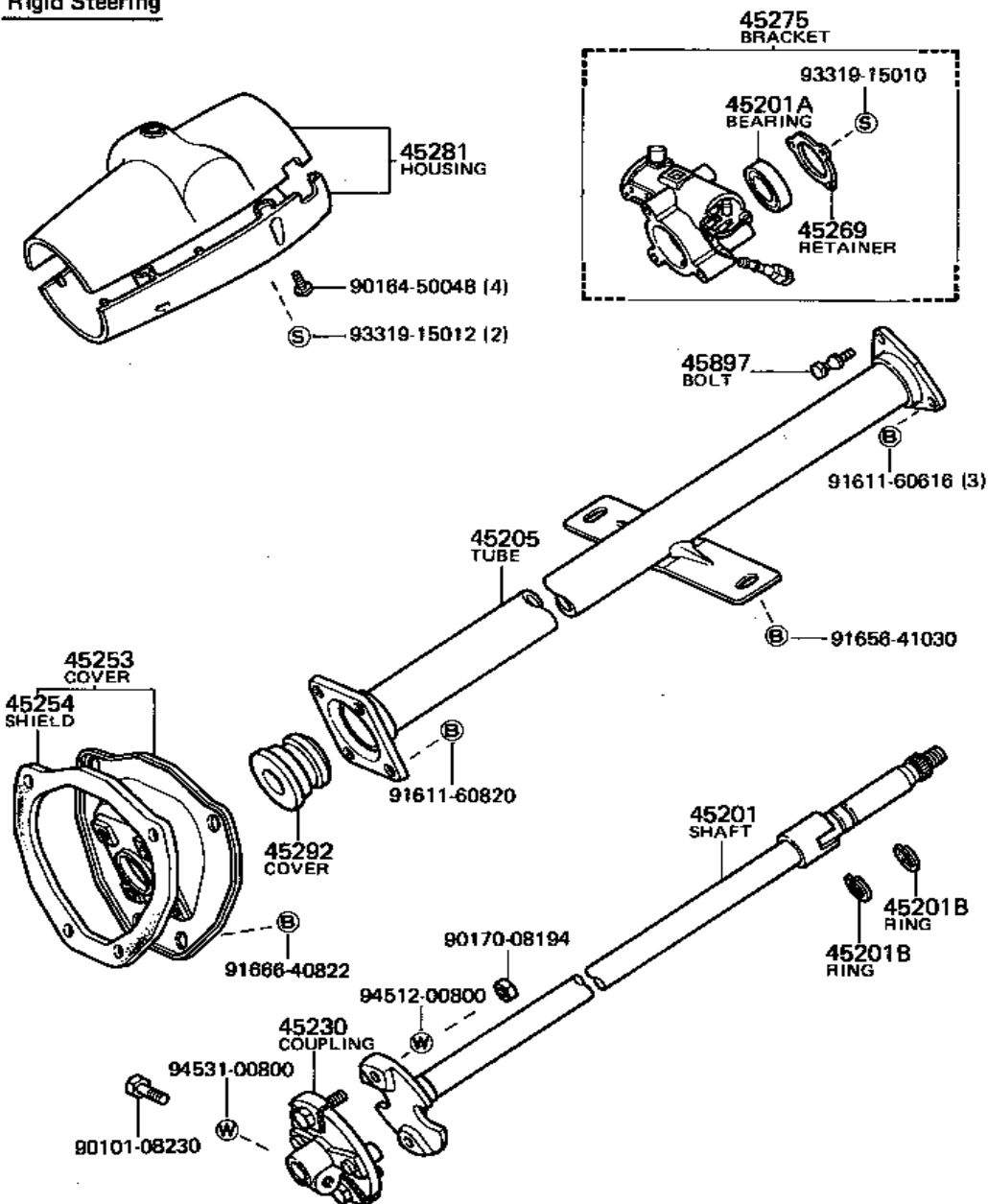




31470K  
CYLINDER KIT



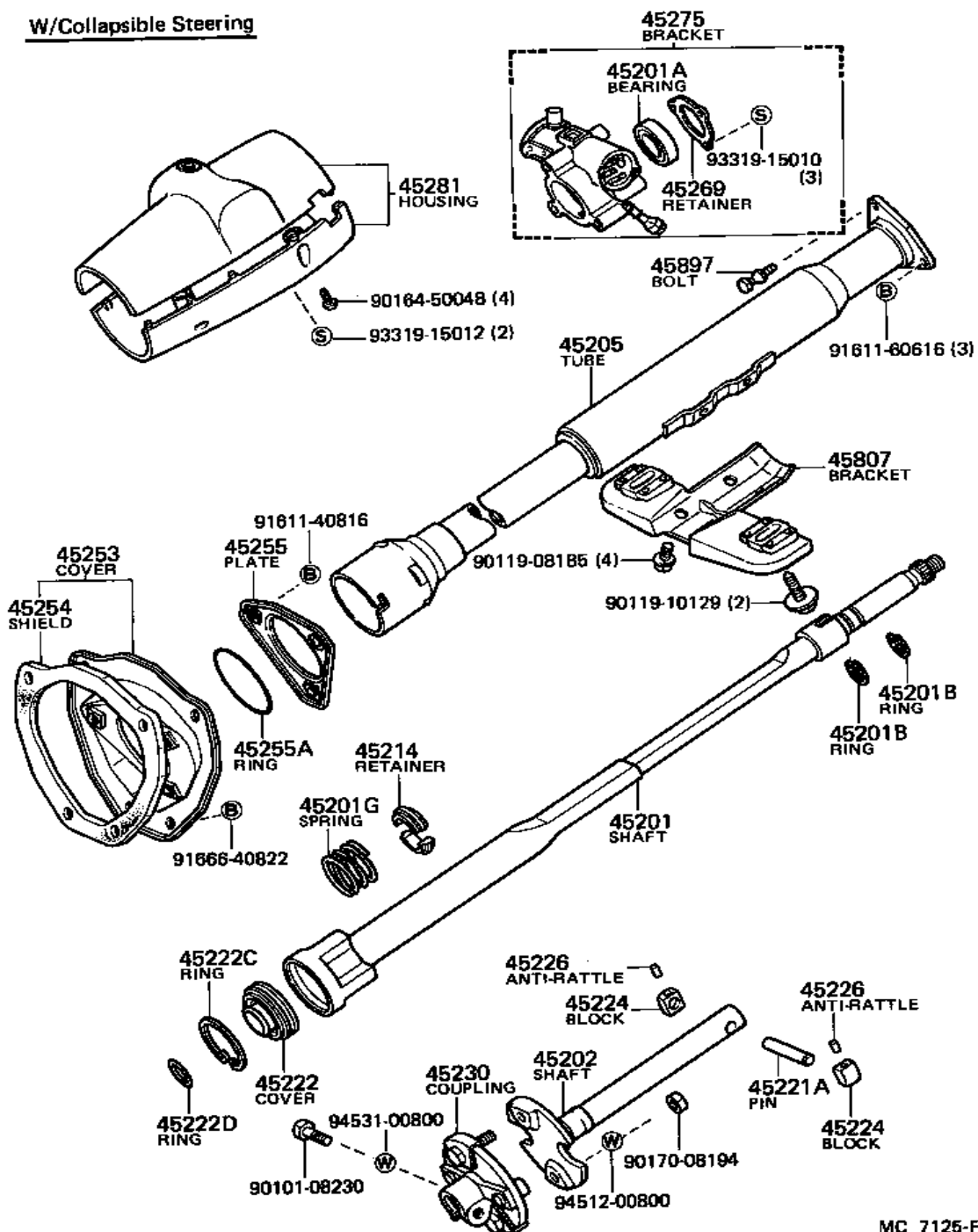
# Rigid Steering

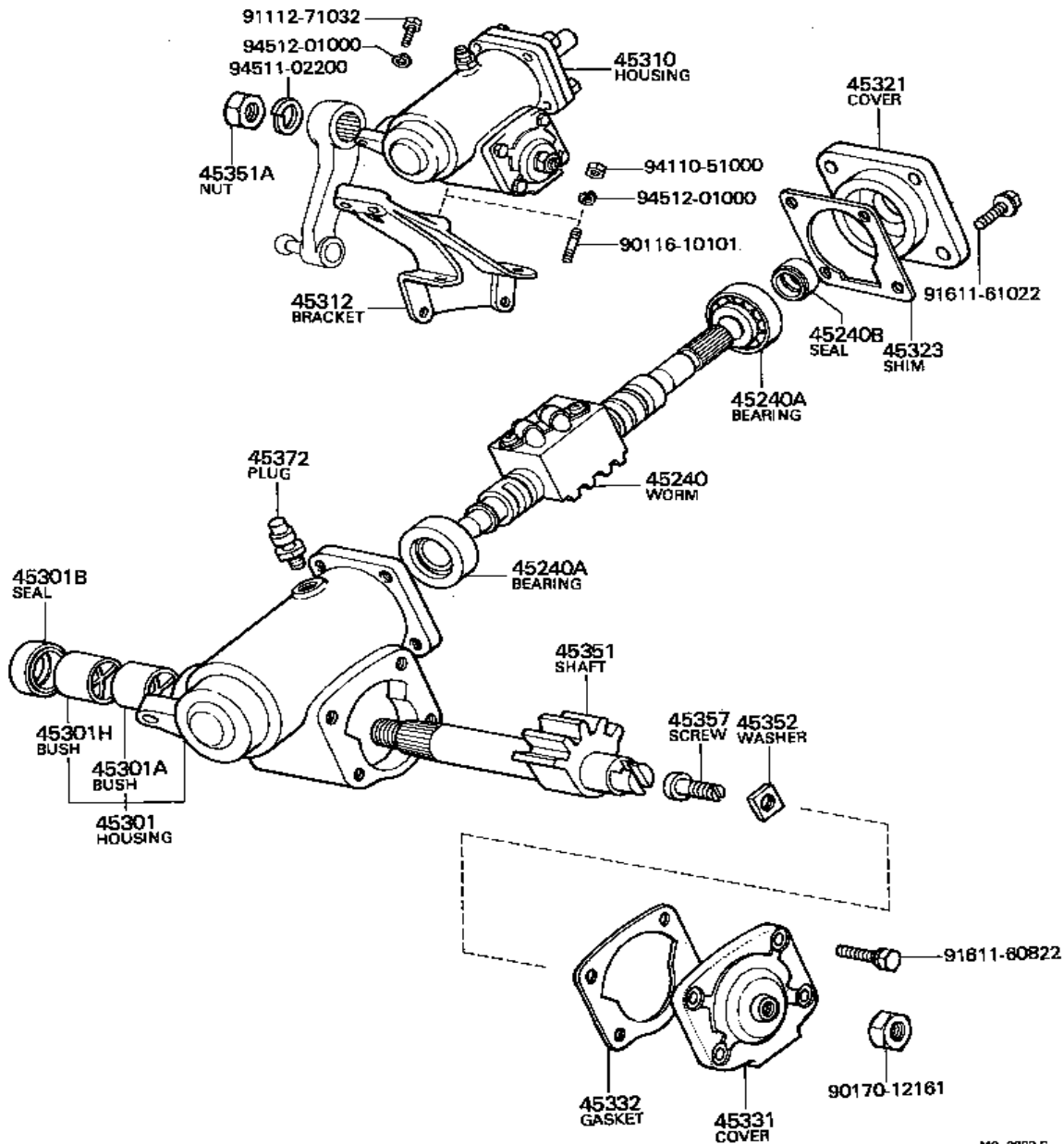


MC 7124-C

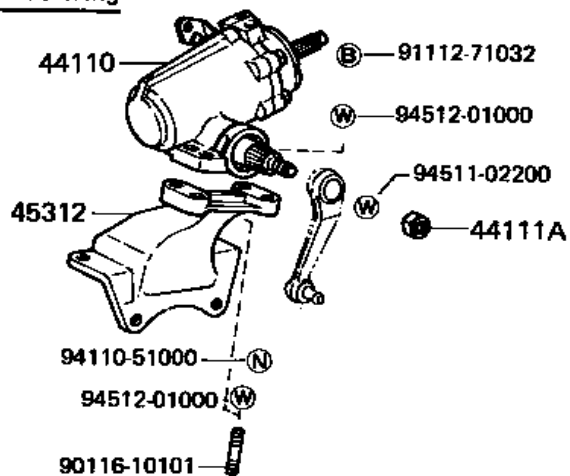


W/Collapsible Steering

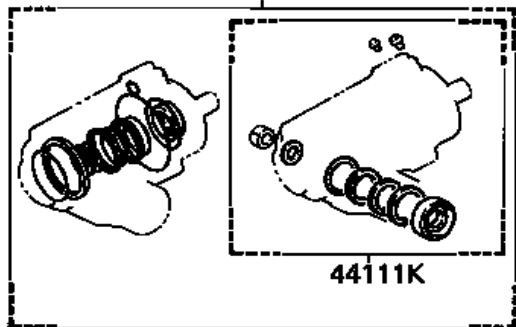




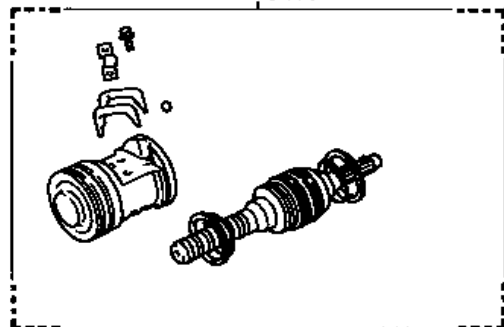
W/ Power Steering



44110K



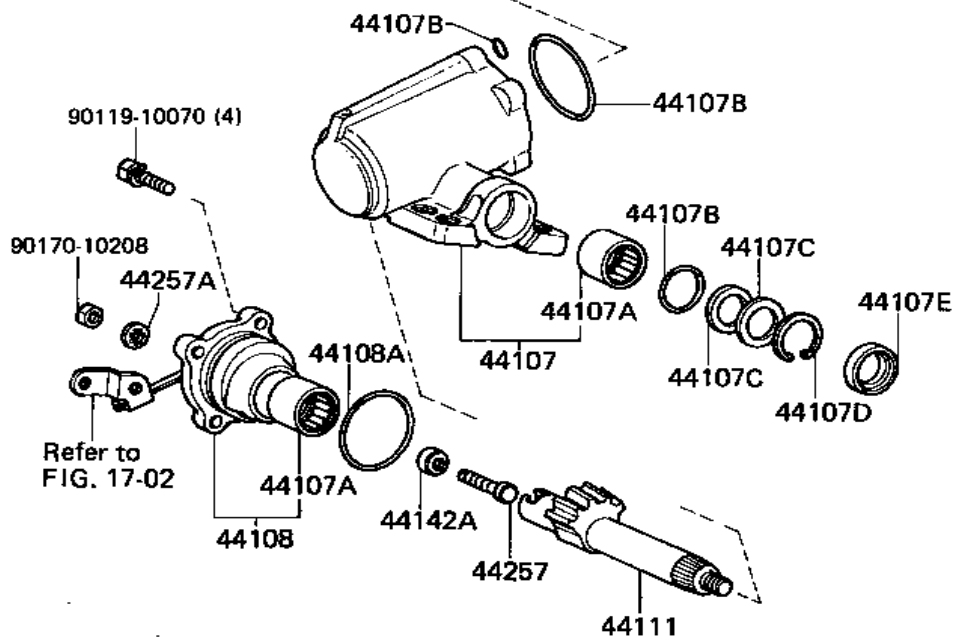
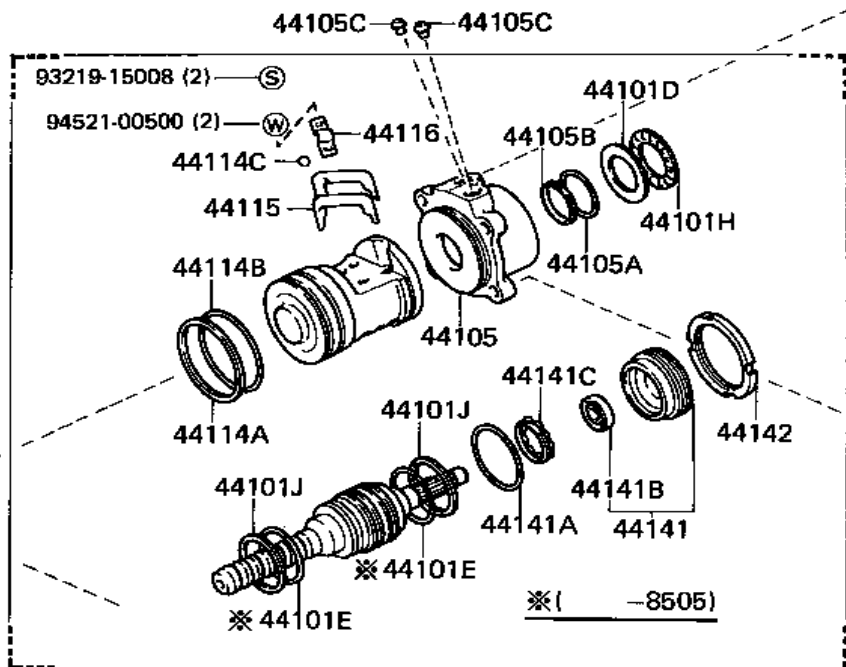
44101K

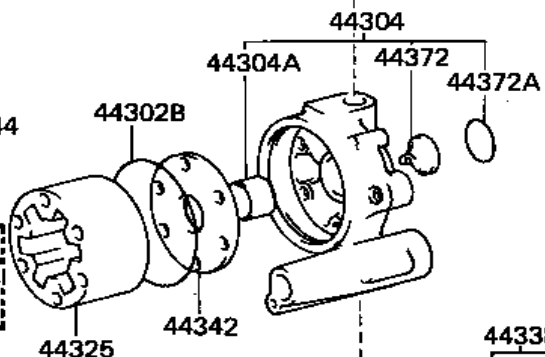
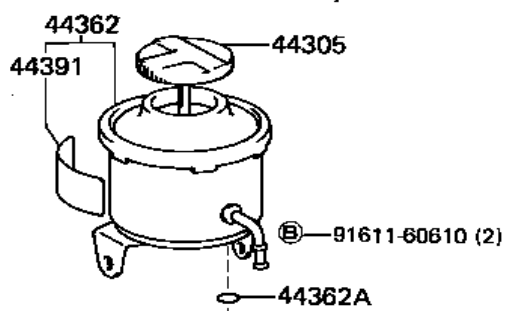
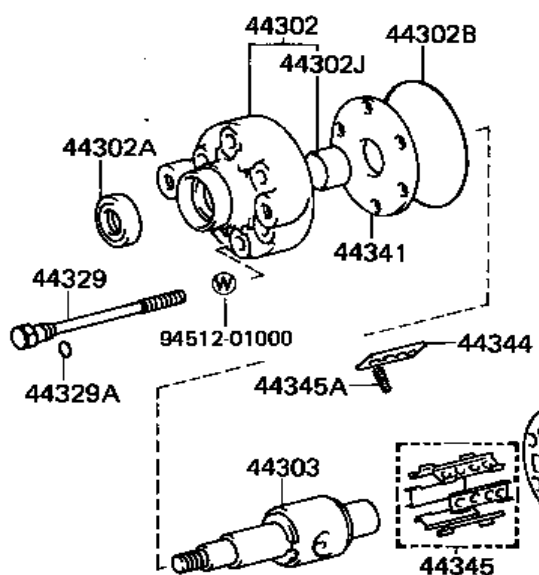
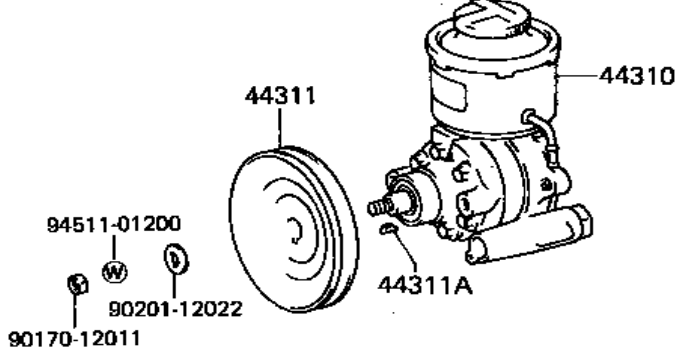


MC A749-A

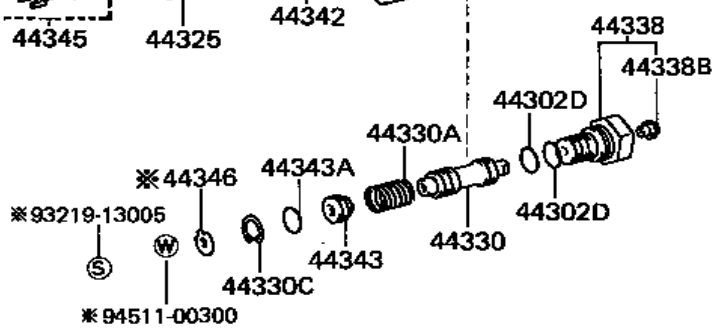
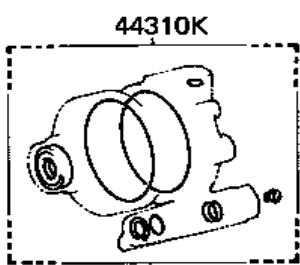
W/ Power Steering

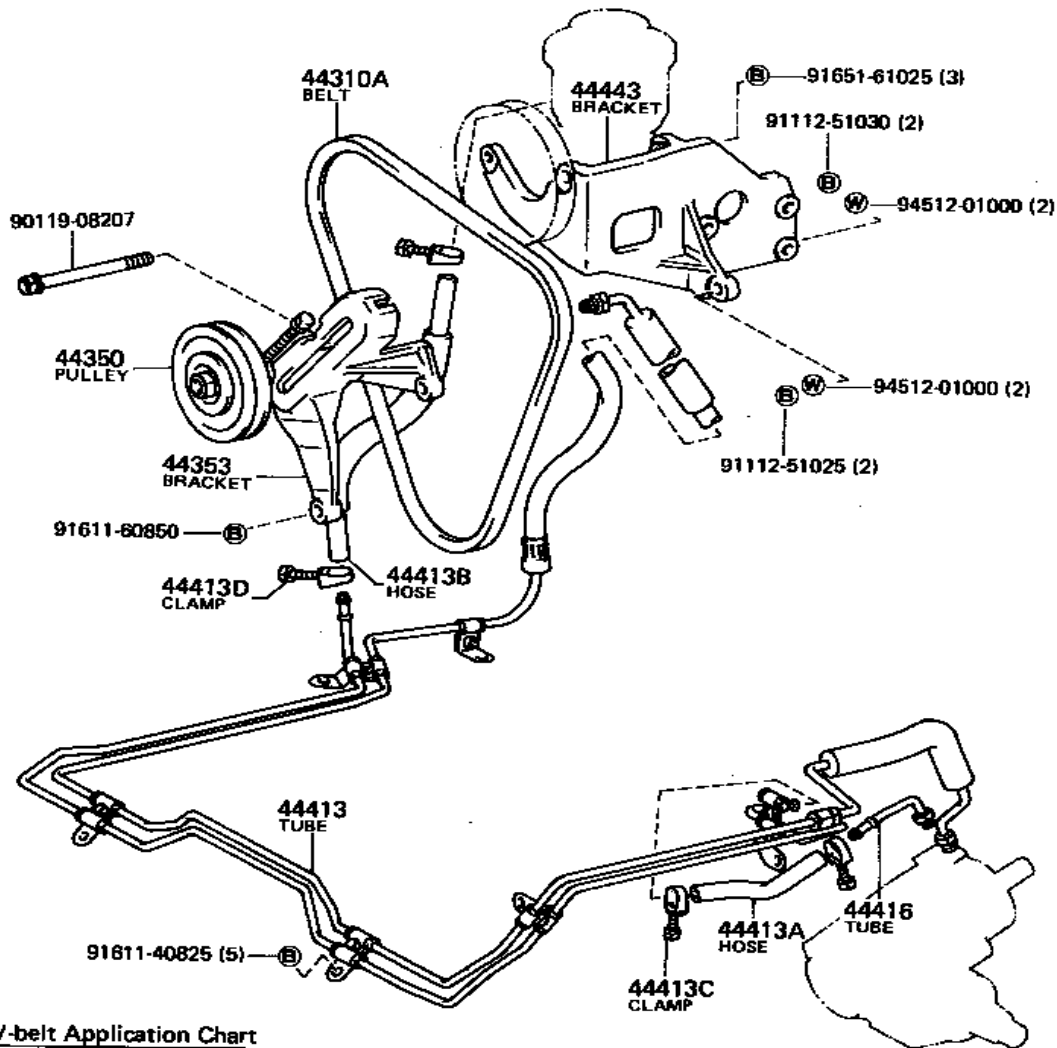
Refer to  
FIG. 17-02



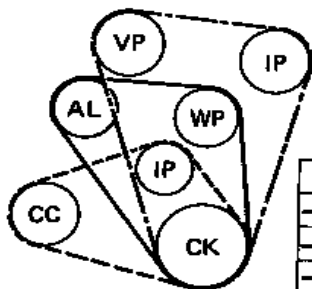


※( -8202)





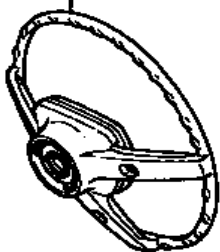
### V-belt Application Chart



CK: Crankshaft  
 CC: Cooler Compressor  
 AL: Alternator  
 WP: Water Pump  
 VP: Vane Pump  
 IP: Idle Pulley

	PNC	FIG. NO.
---	44310A	45-03
---	16361A	16-03
---	88310A	87-19

45100  
WHEEL

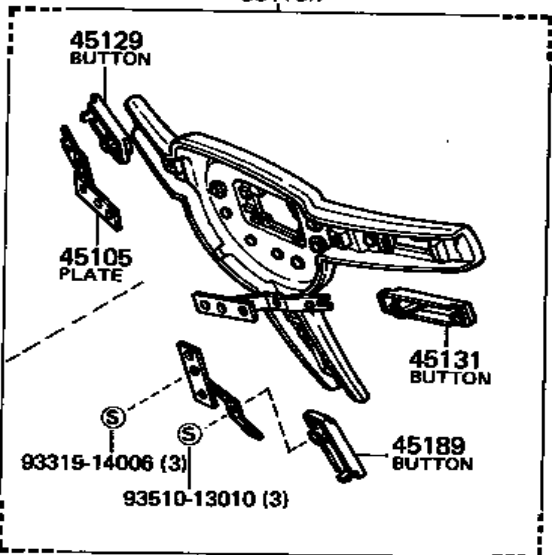


45201P  
NUT



45125  
MARK

45130  
BUTTON



93510-13010 (3)

45194A  
PLATE



45129  
BUTTON



45105  
PLATE



45131  
BUTTON



45189  
BUTTON



93315-14006 (3)



93510-13010 (3)

45207  
RING



93510-13010 (3)

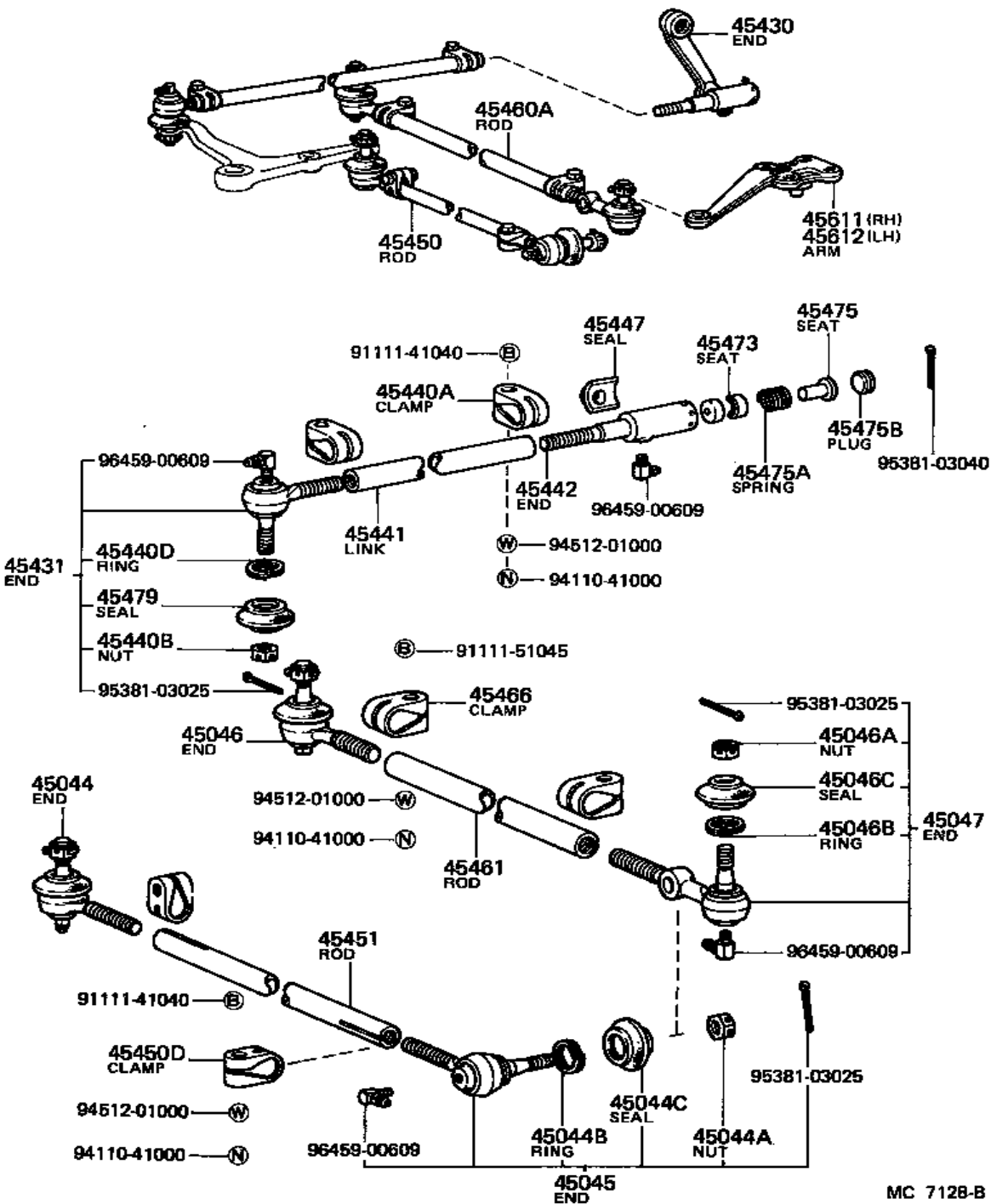


93315-15016 (3)

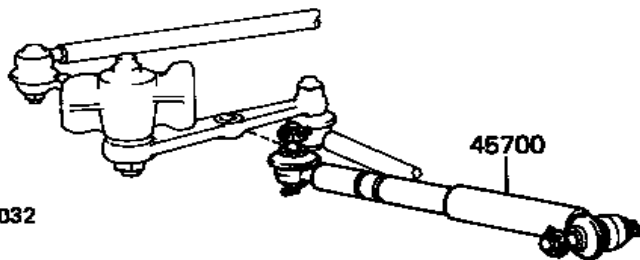
45136A  
CORD



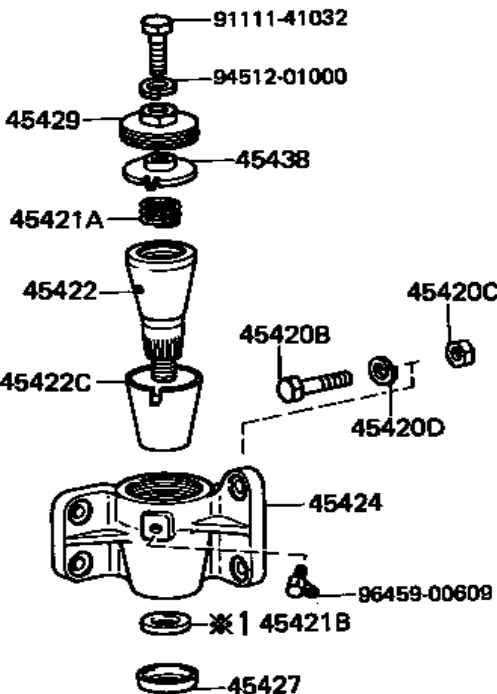
MC 7127-A







45700



91111-41032

94512-01000

45429

45438

45421A

45422

45420C

45422C

45420B

45420D

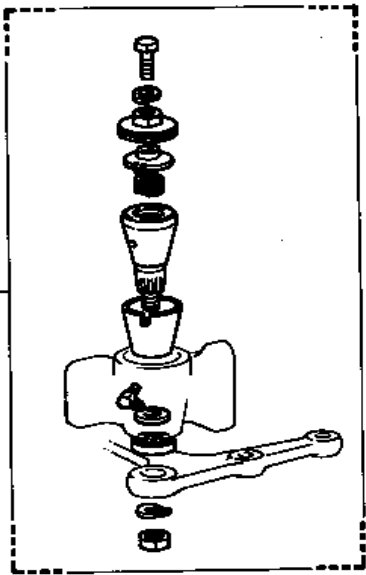


45424

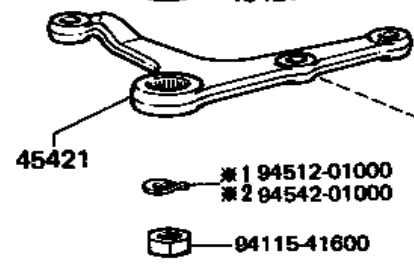
96459-00609

\*1 45421B

45427



45420K



45421

\*1 94512-01000

\*2 94542-01000

94115-41600

96381-03025

45700A

45721

96459-00609

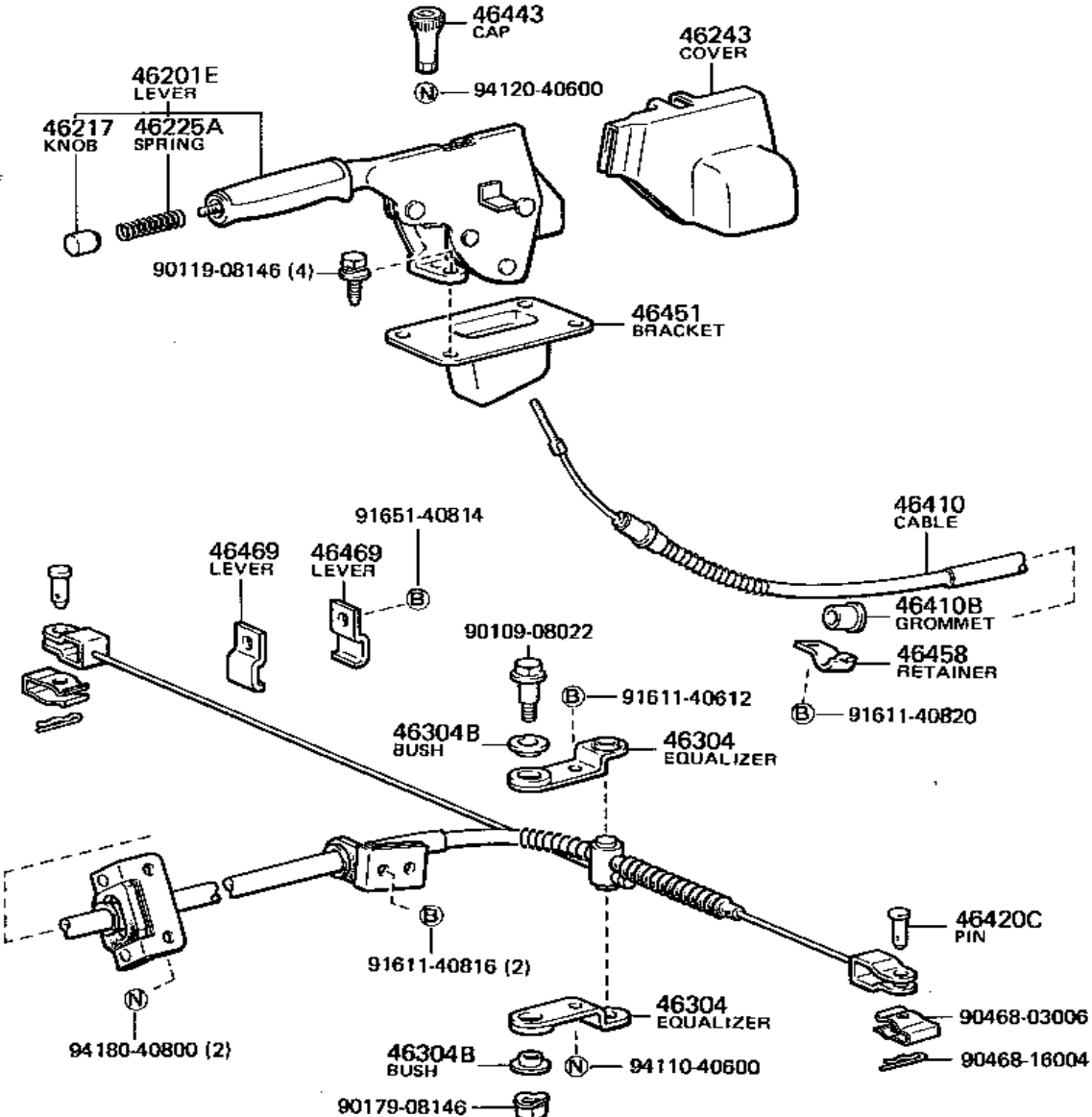
96381-03025

45700A

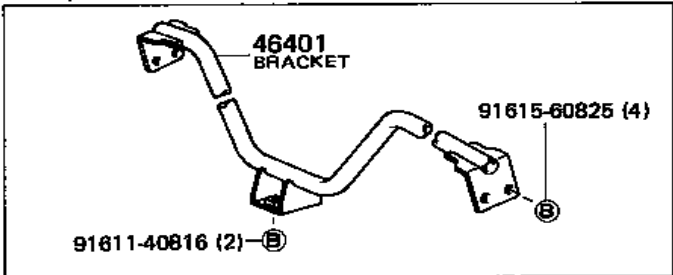
94859-00609

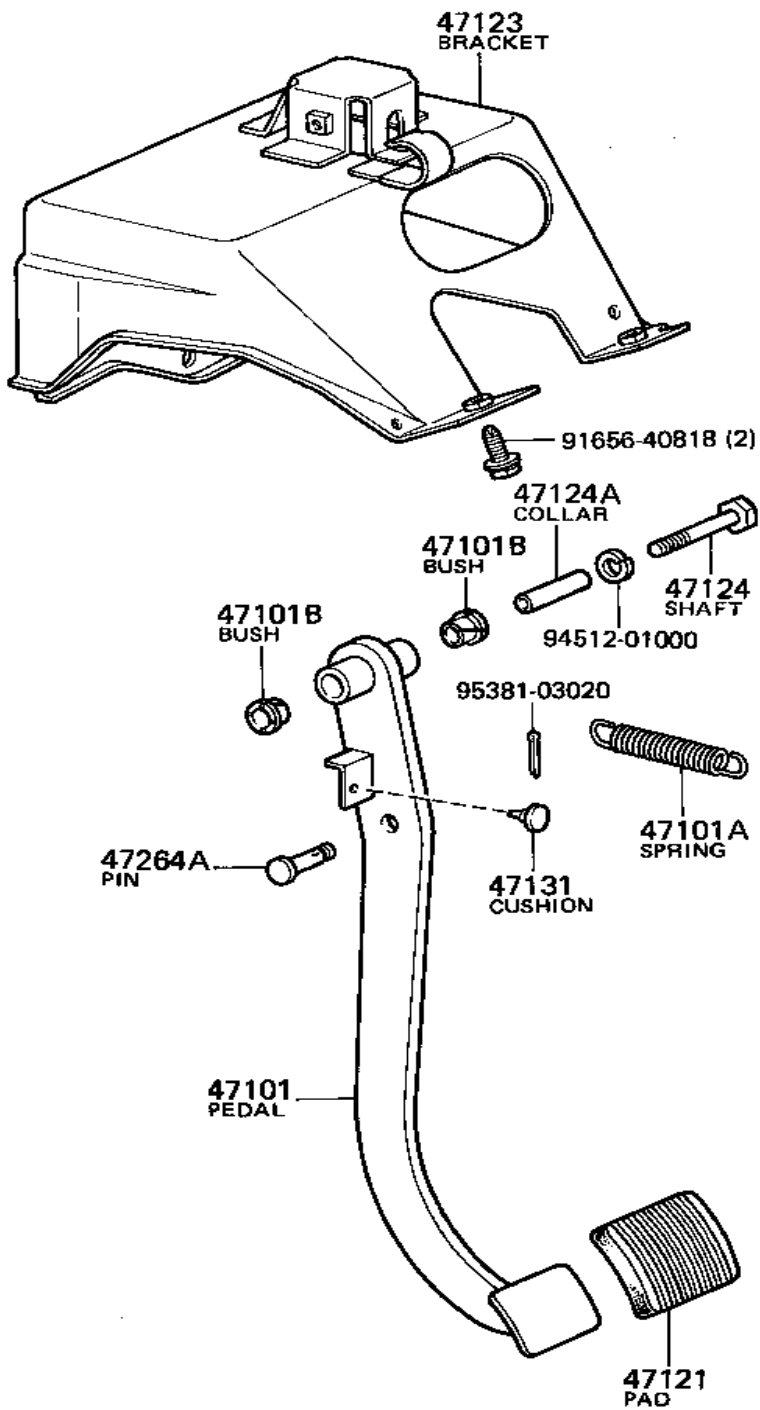
\*1 ( -8103)  
\*2 (8103- )

MC 7129-C

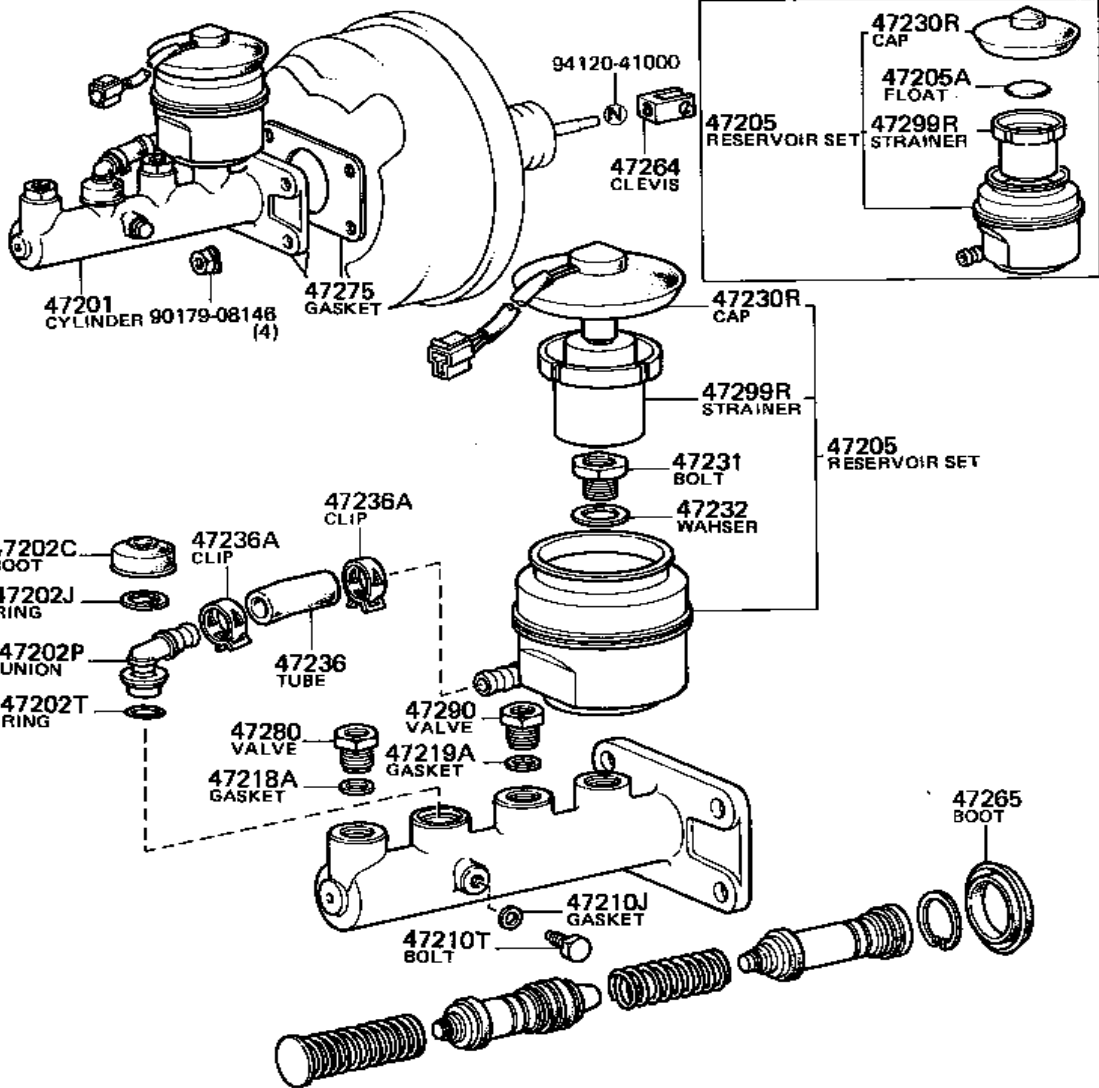


HJ47, FJ45 . . RHD . . GEN . . IV (W/RR Wheel Parking Brake)

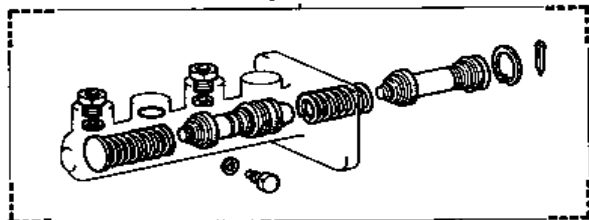




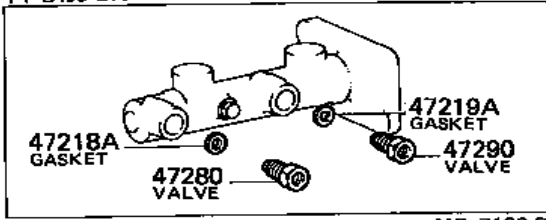
W/O Level Warning



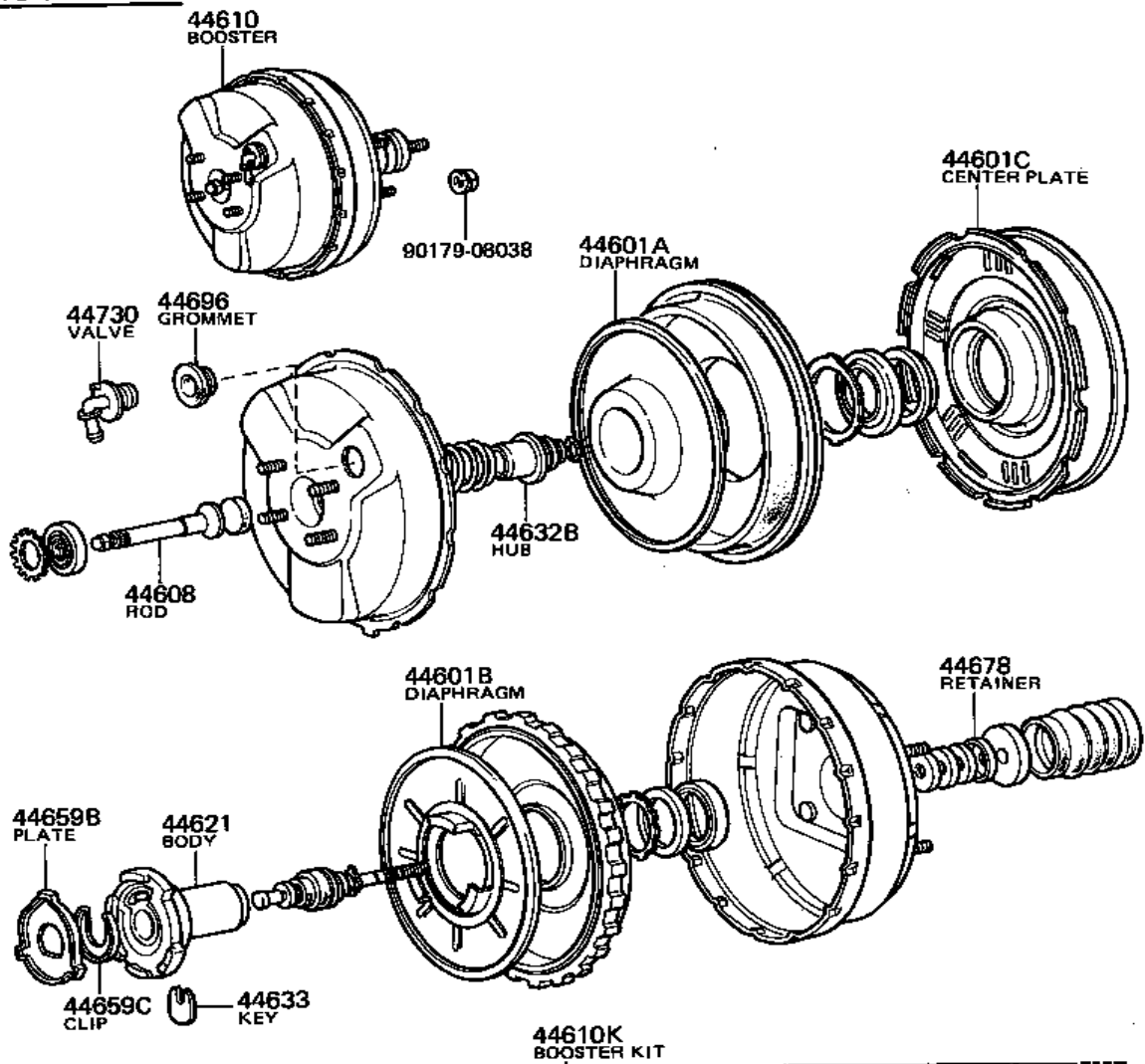
47210K CYLINDER KIT

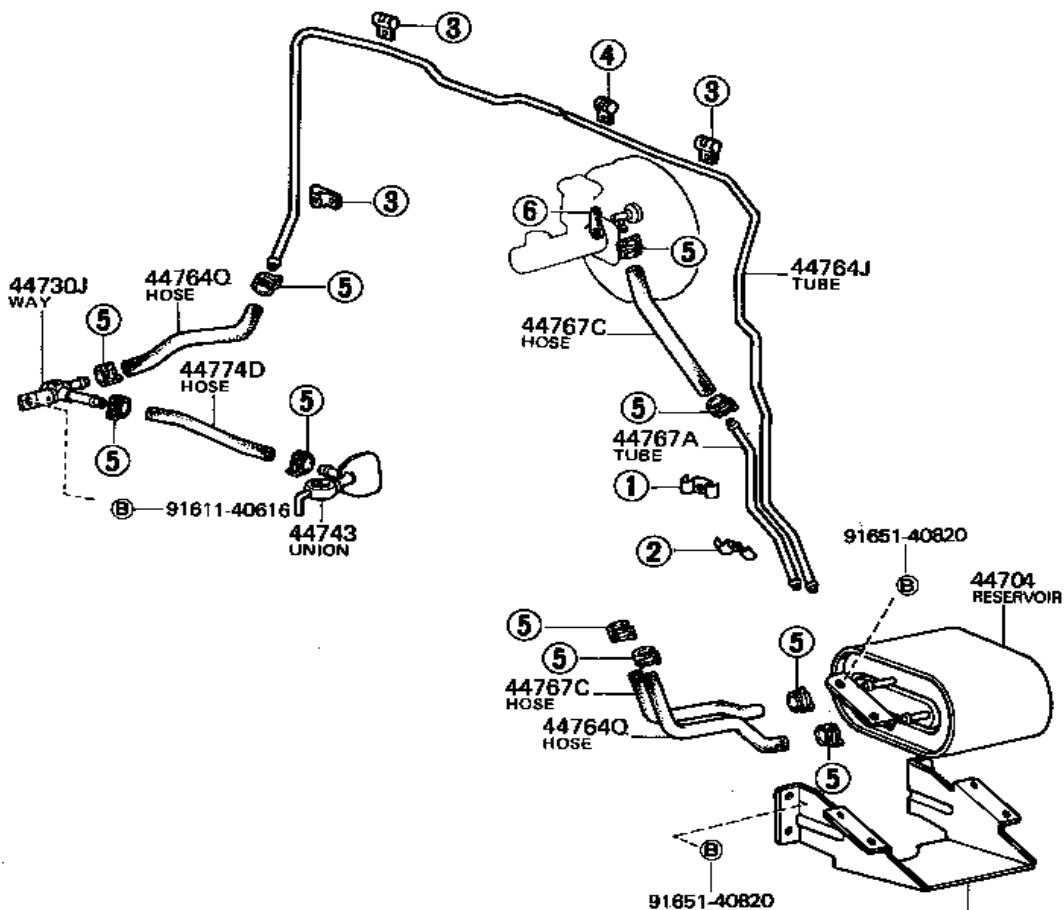


Fr Disc Brake

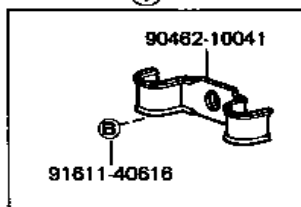


# Tandem Booster

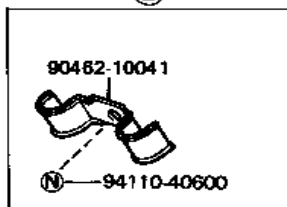




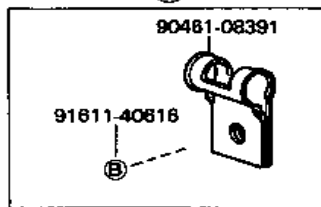
①



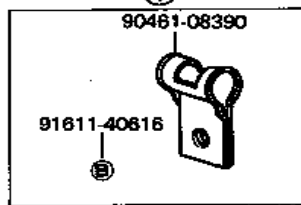
②



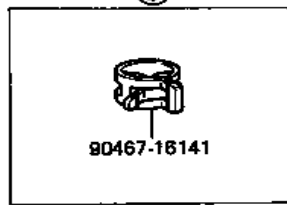
③



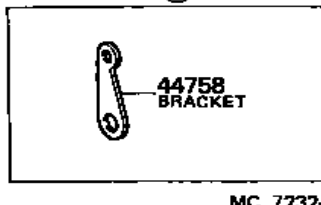
④

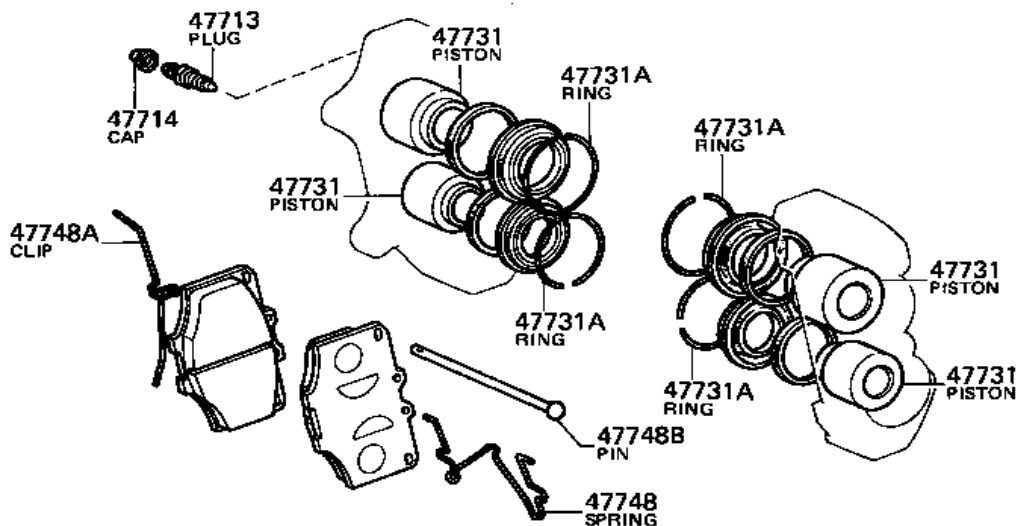
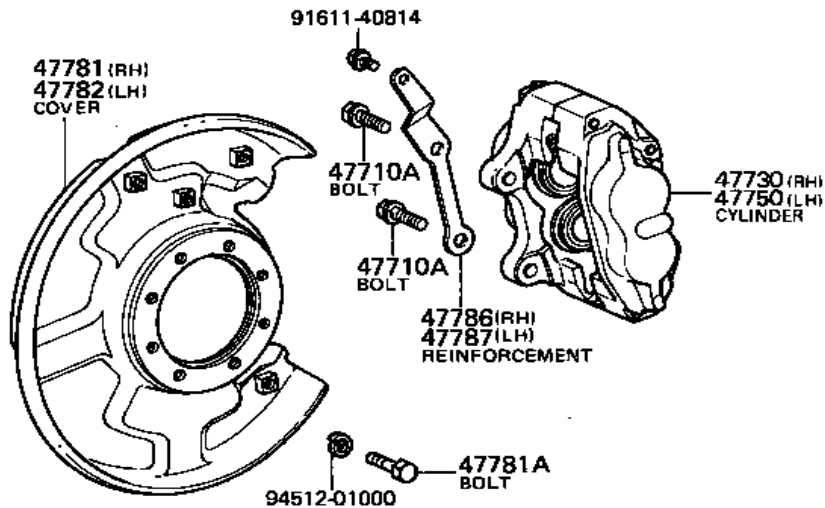


⑤

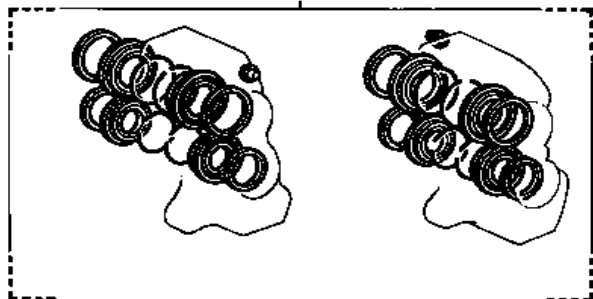


⑥

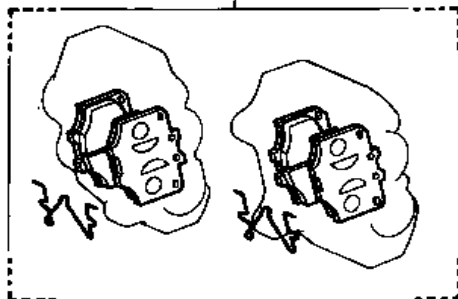




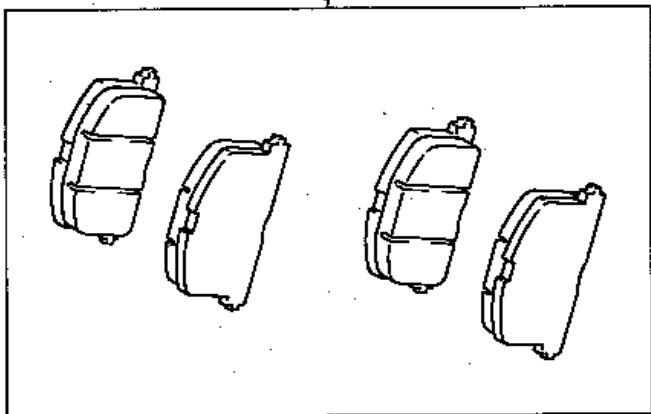
47710K  
CYLINDER KIT



47710L  
PAD KIT



04465

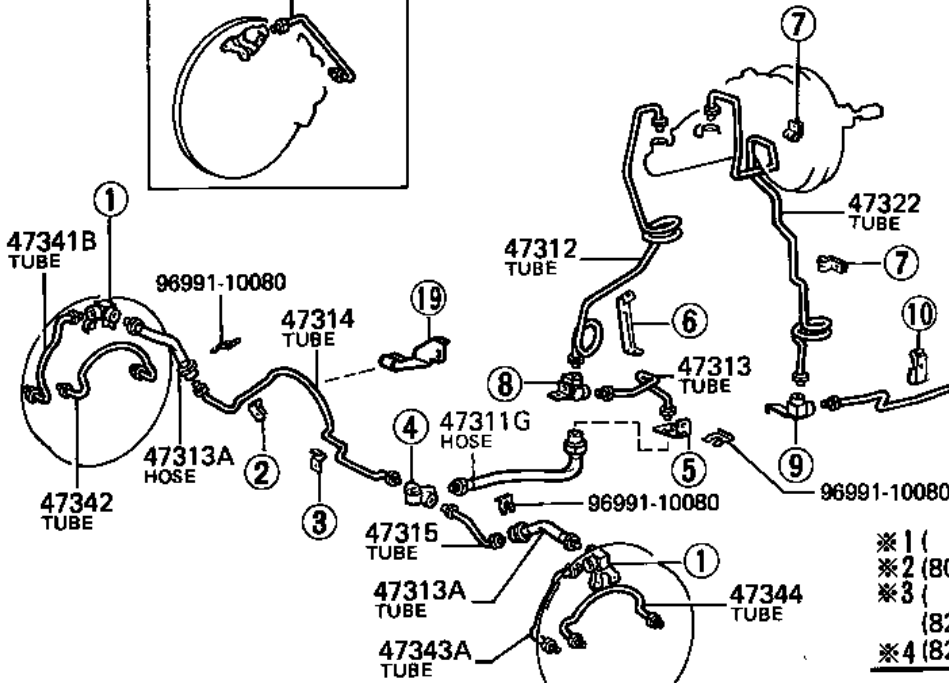
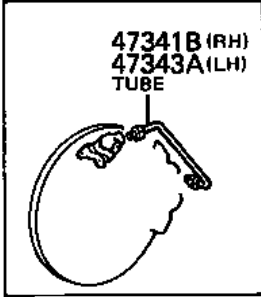


MC R482



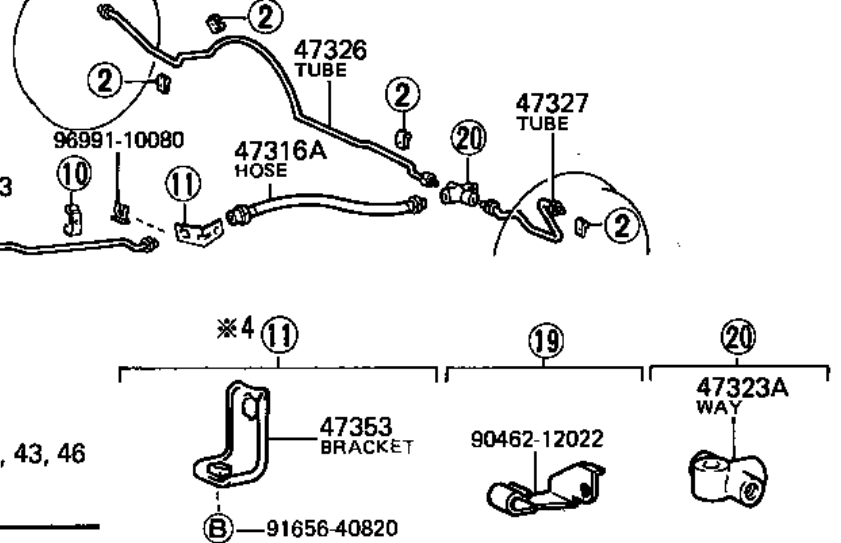
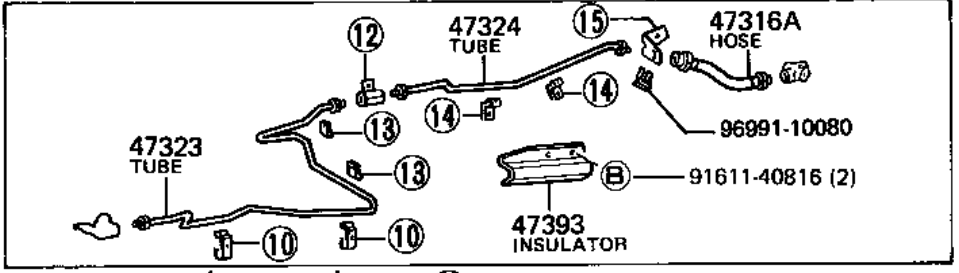


Fr Disc Brake

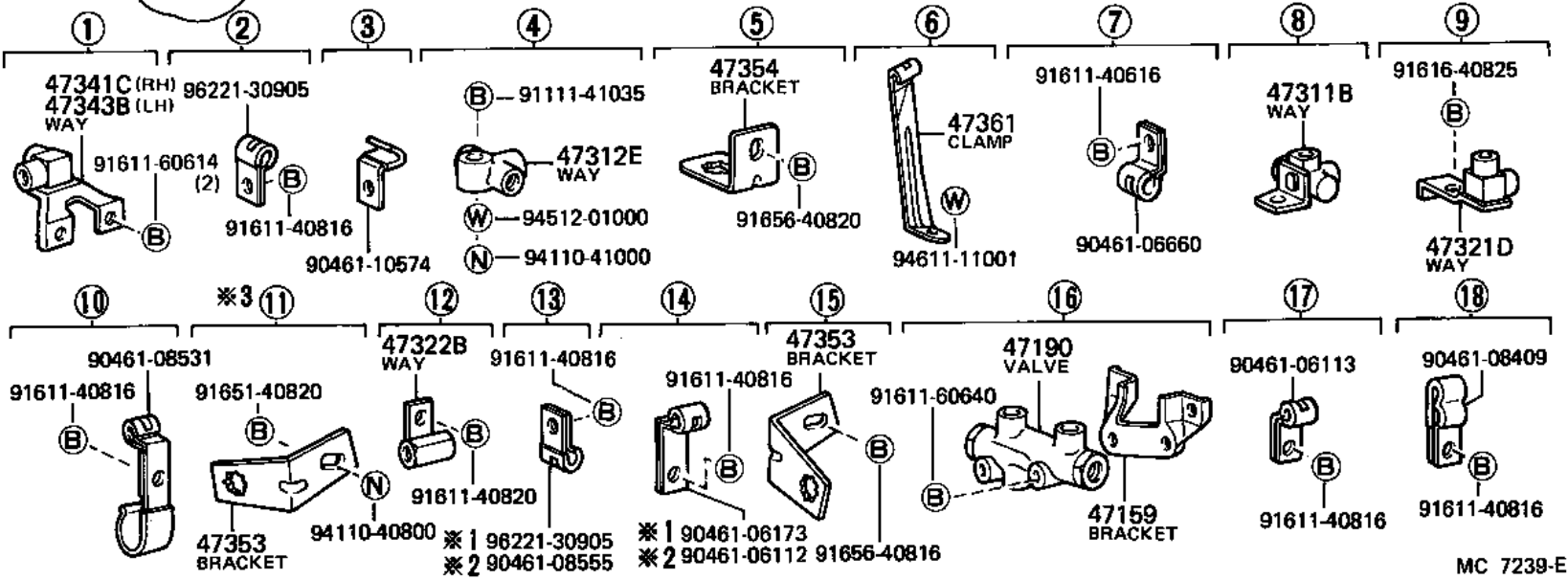
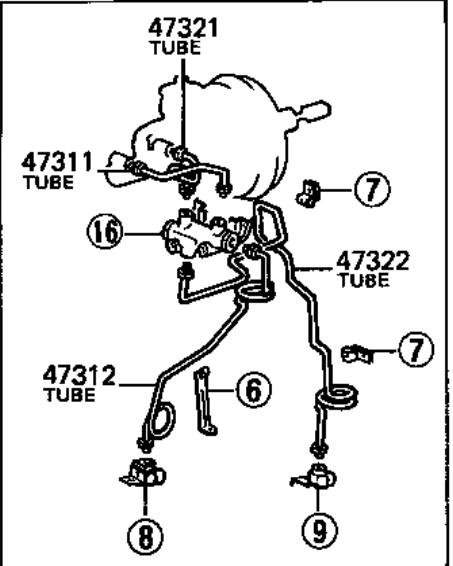


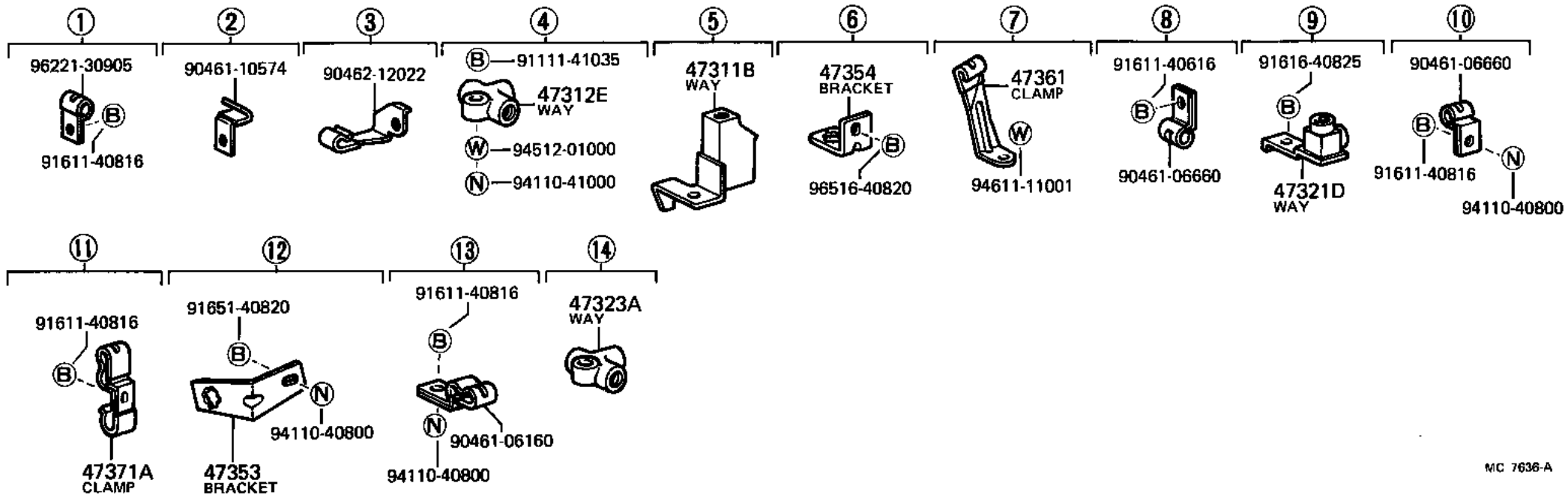
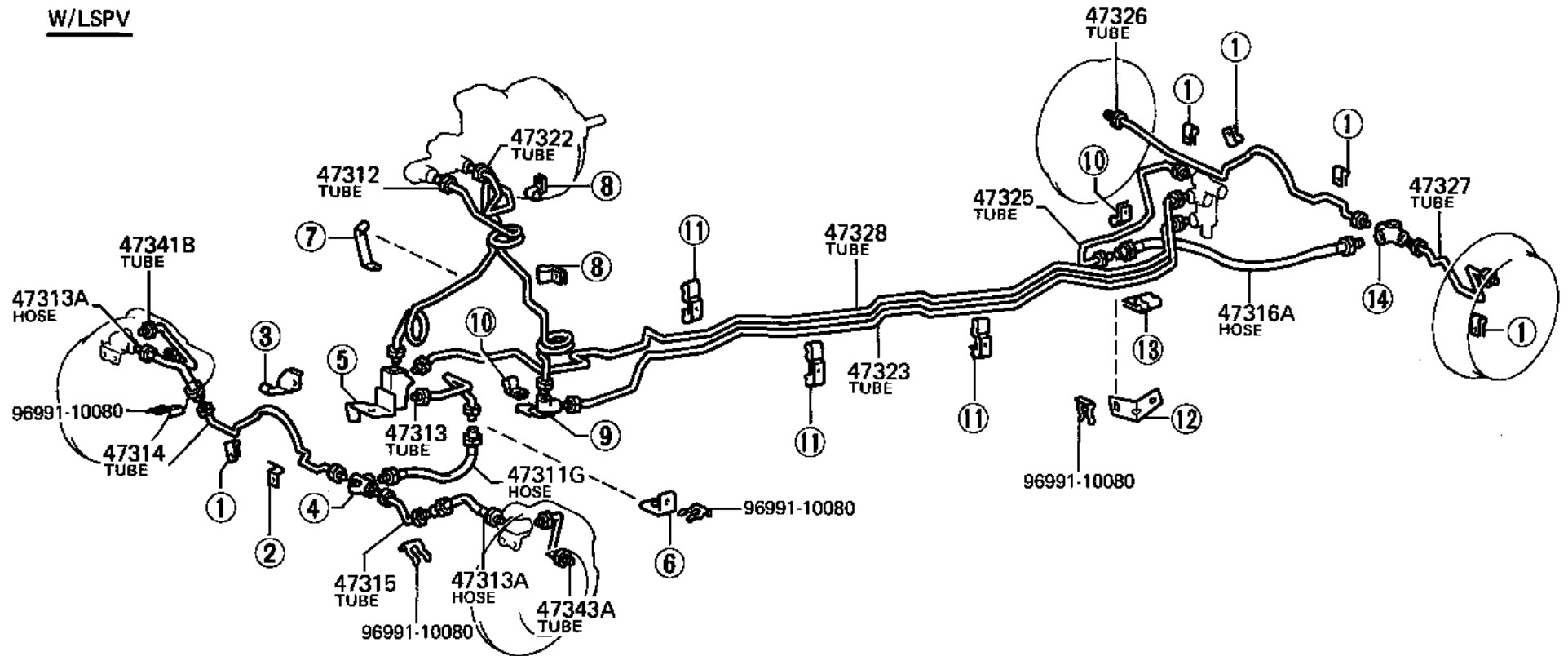
- \*1 ( -8010 )
- \*2 (8010- )
- \*3 ( -8210 ) BJ40, 42, 43, 46
- (8210- ) BJ43, 46
- \*4 (8210- ) BJ40, 42

BJ45 . . GEN

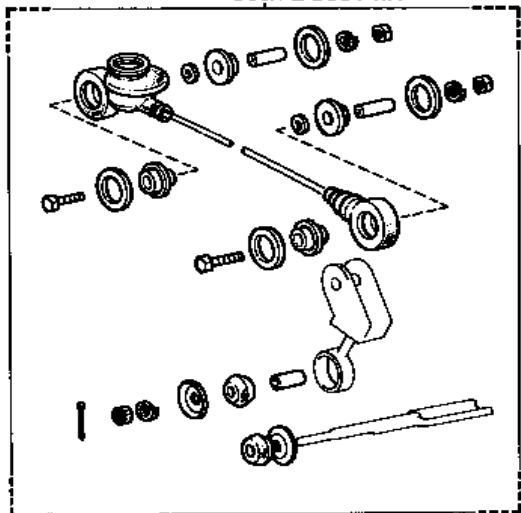
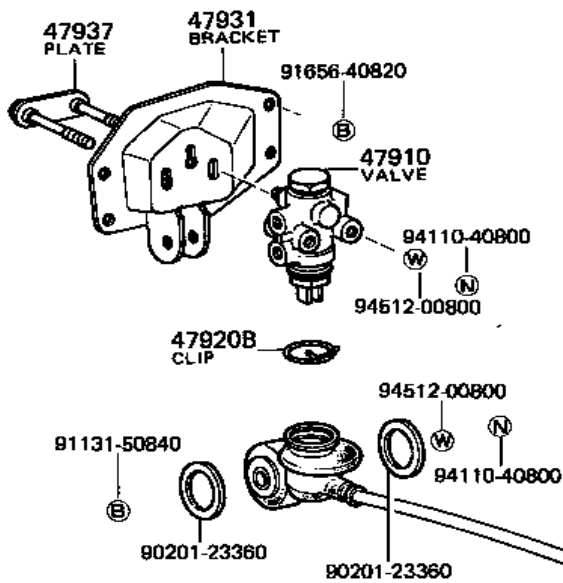


Fr Disc Brake

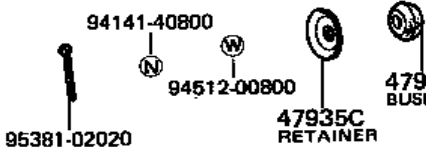
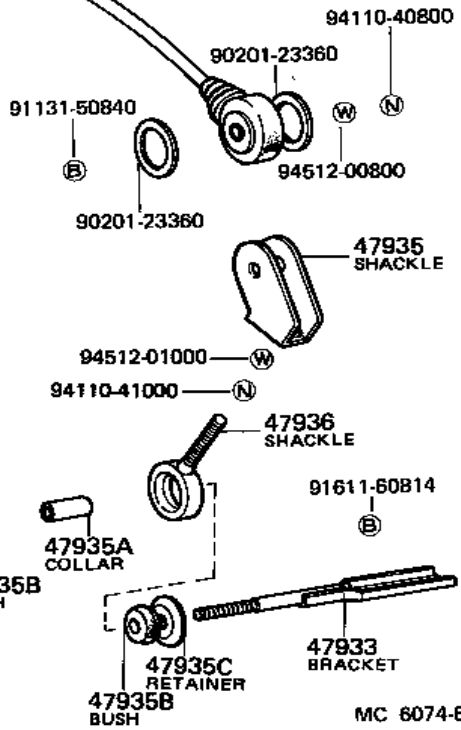
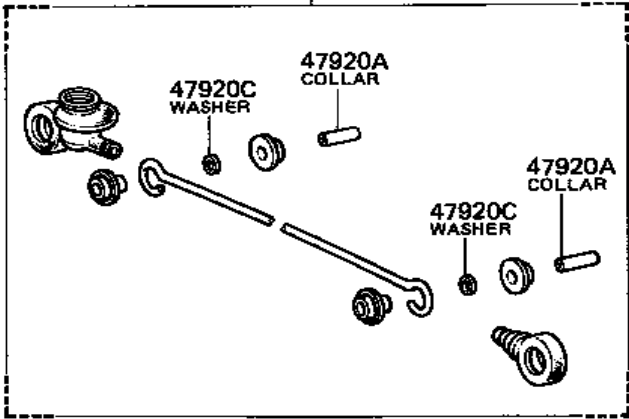


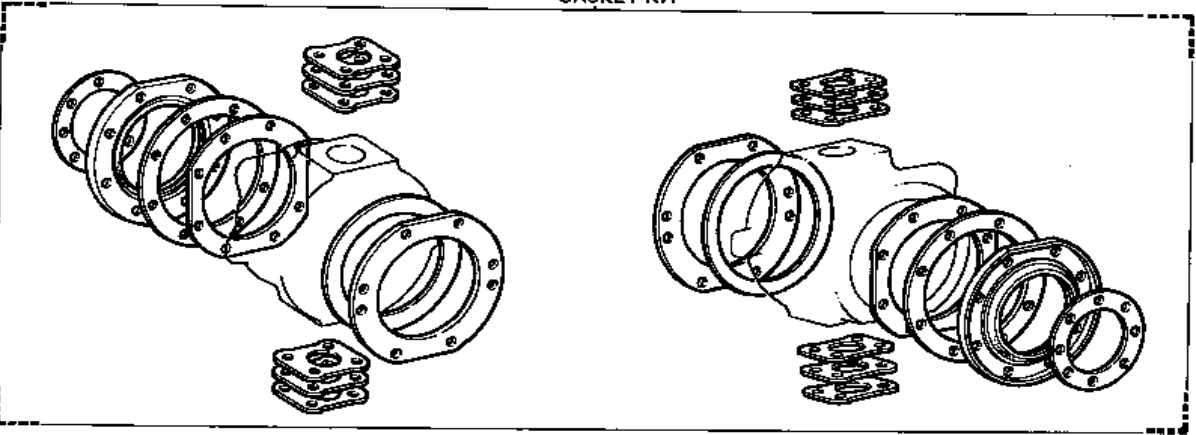
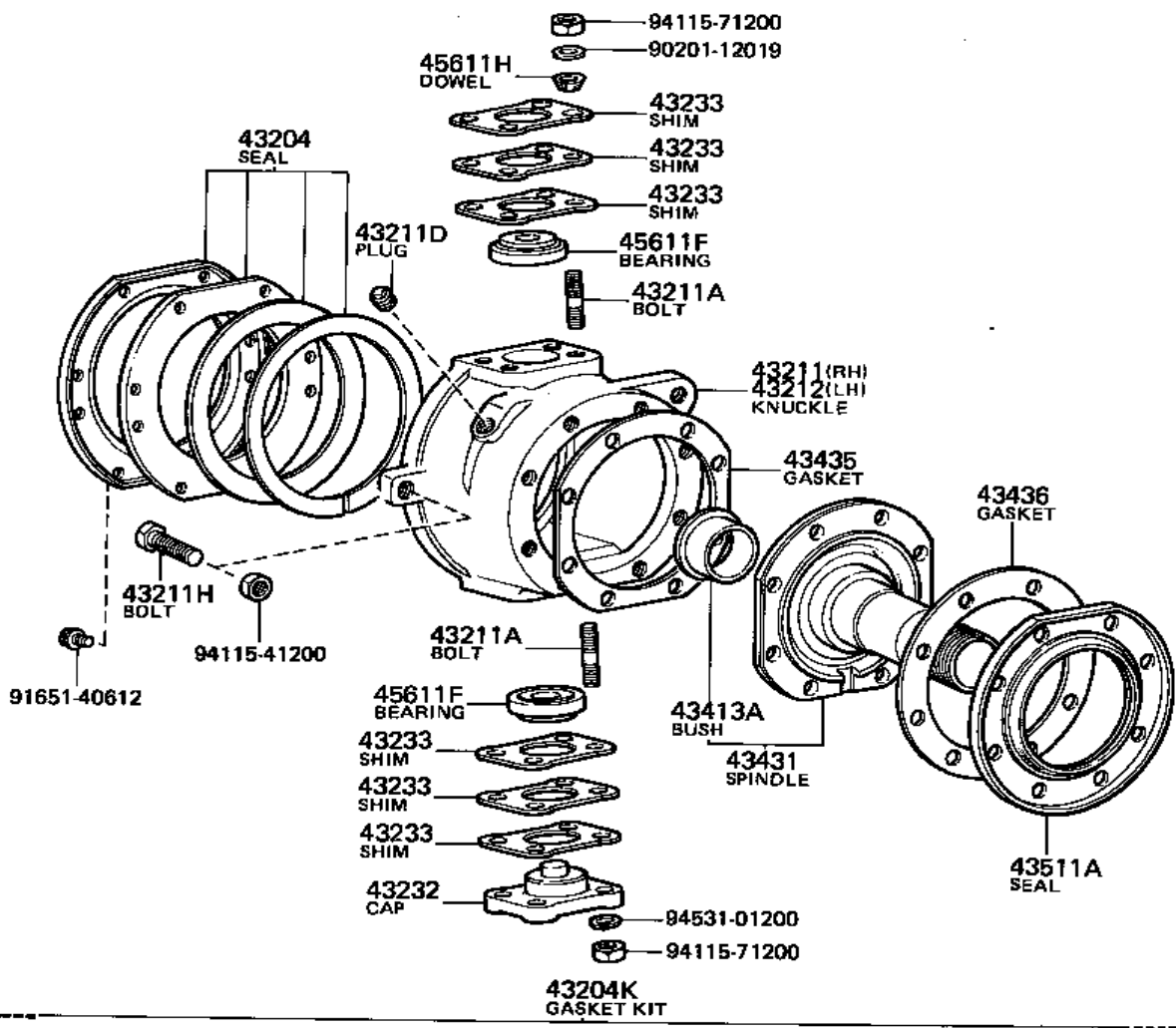


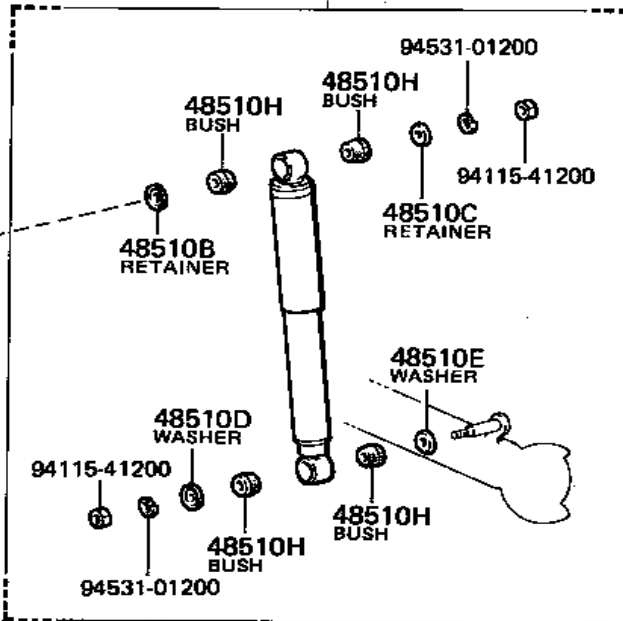
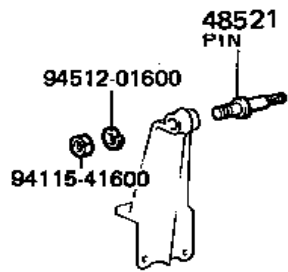
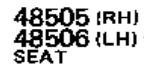
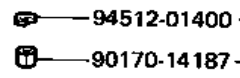
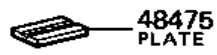
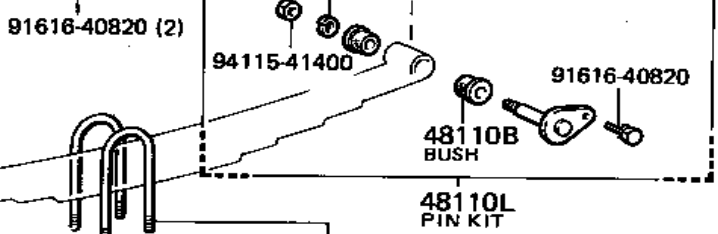
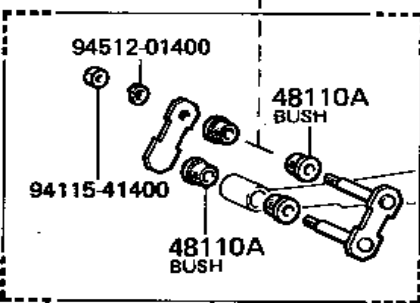
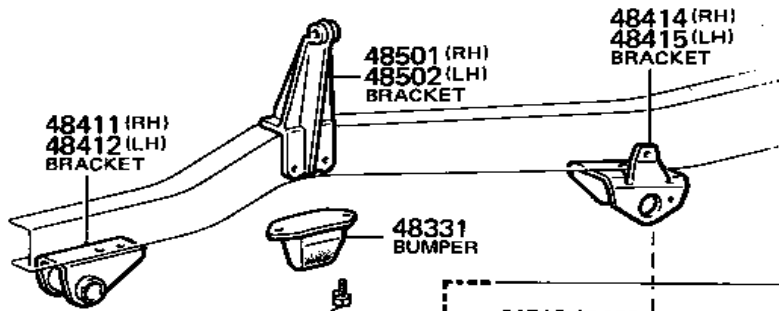
**47920K  
BUSH & BOOT KIT**



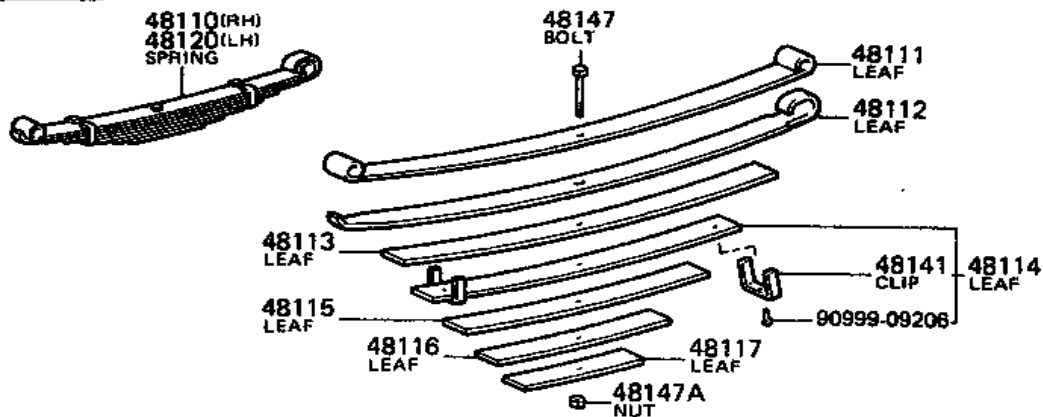
**47920  
SPRING**



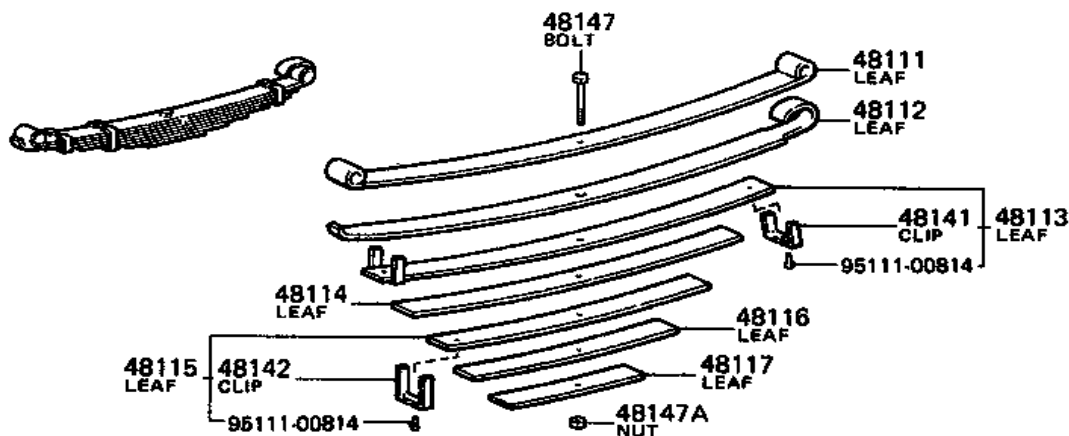




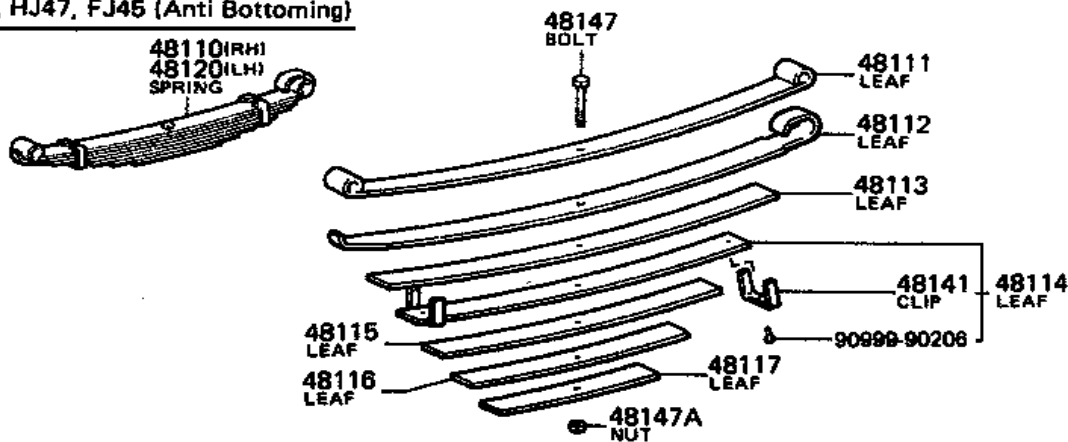
MITSUBISHI

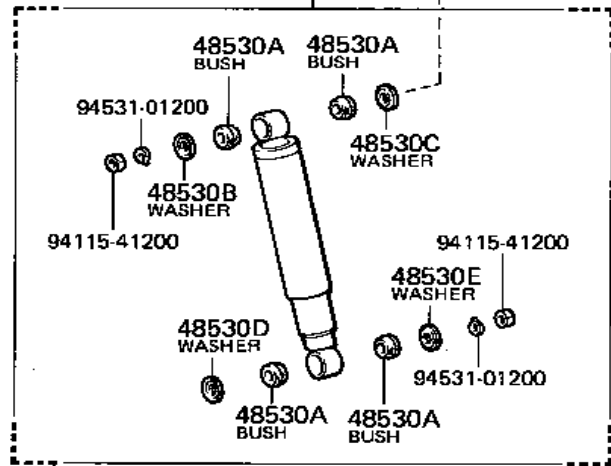
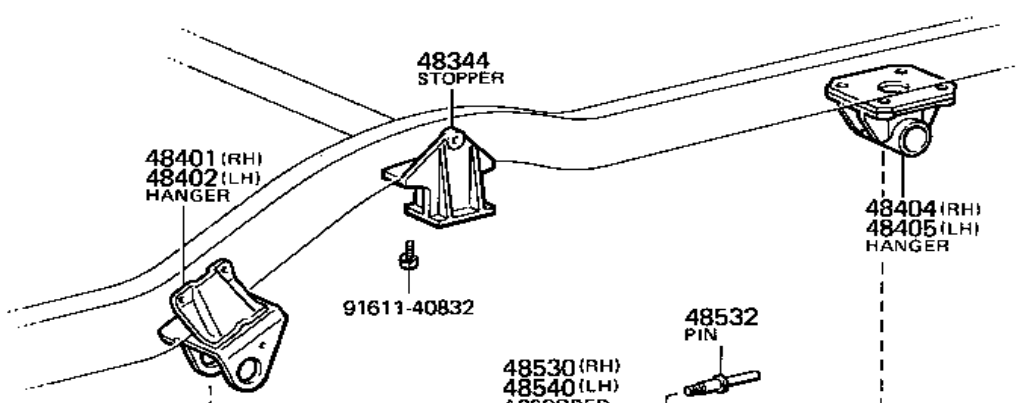


CHUO HATSUJO

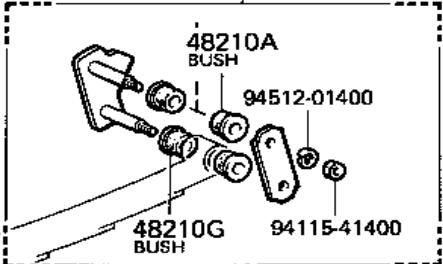


BJ45, HJ47, FJ45 (Anti Bottoming)

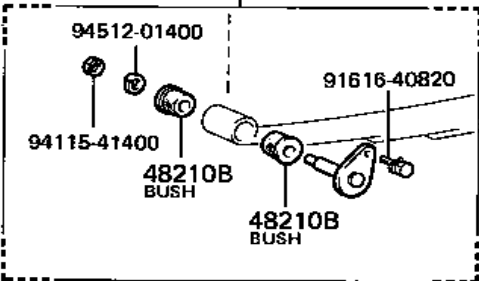




48210K SHACKLE KIT



48210L PIN KIT

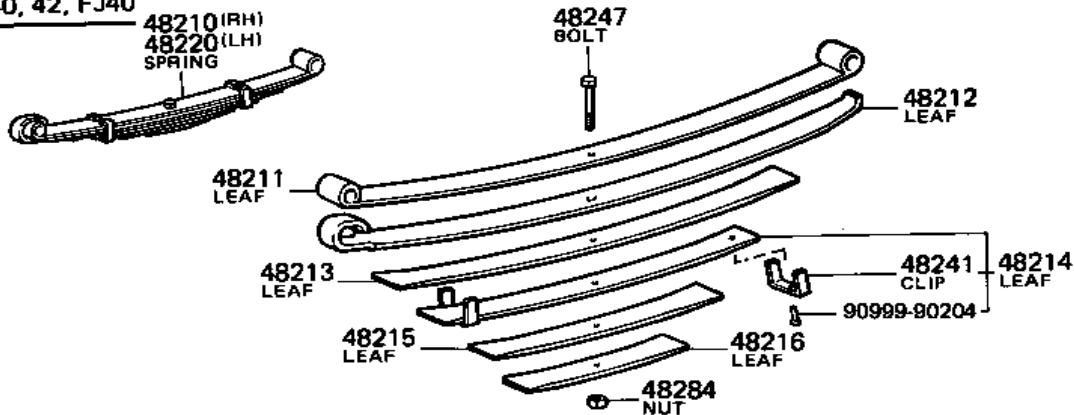


48046A BOLT

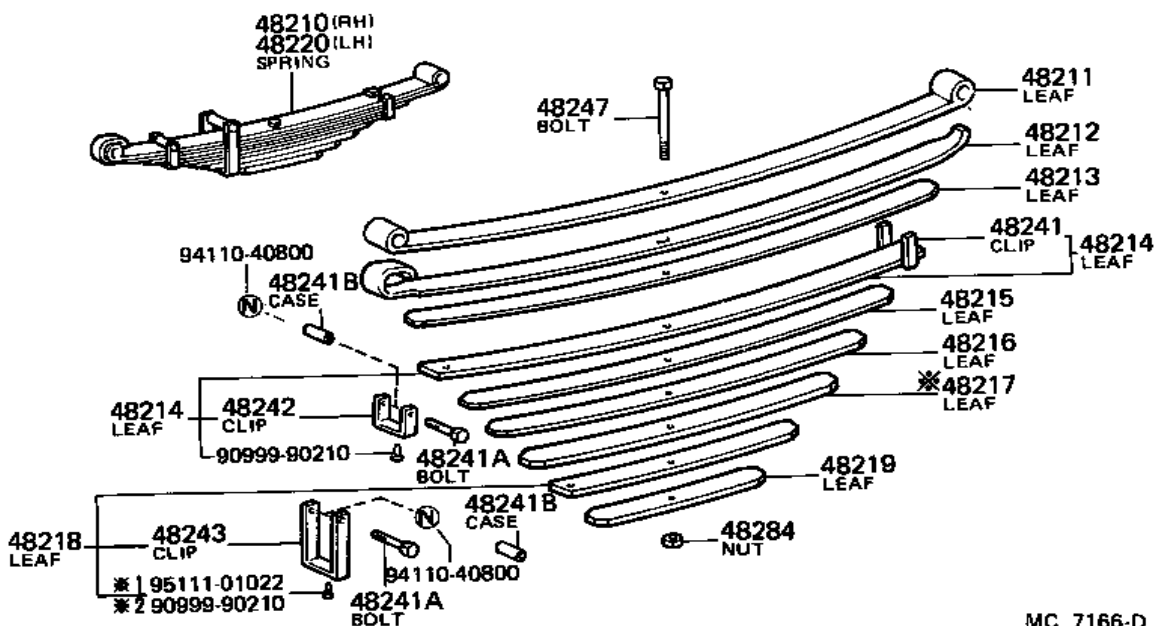
- 94512-01400
- 90170-14187



BJ40, 42, FJ40

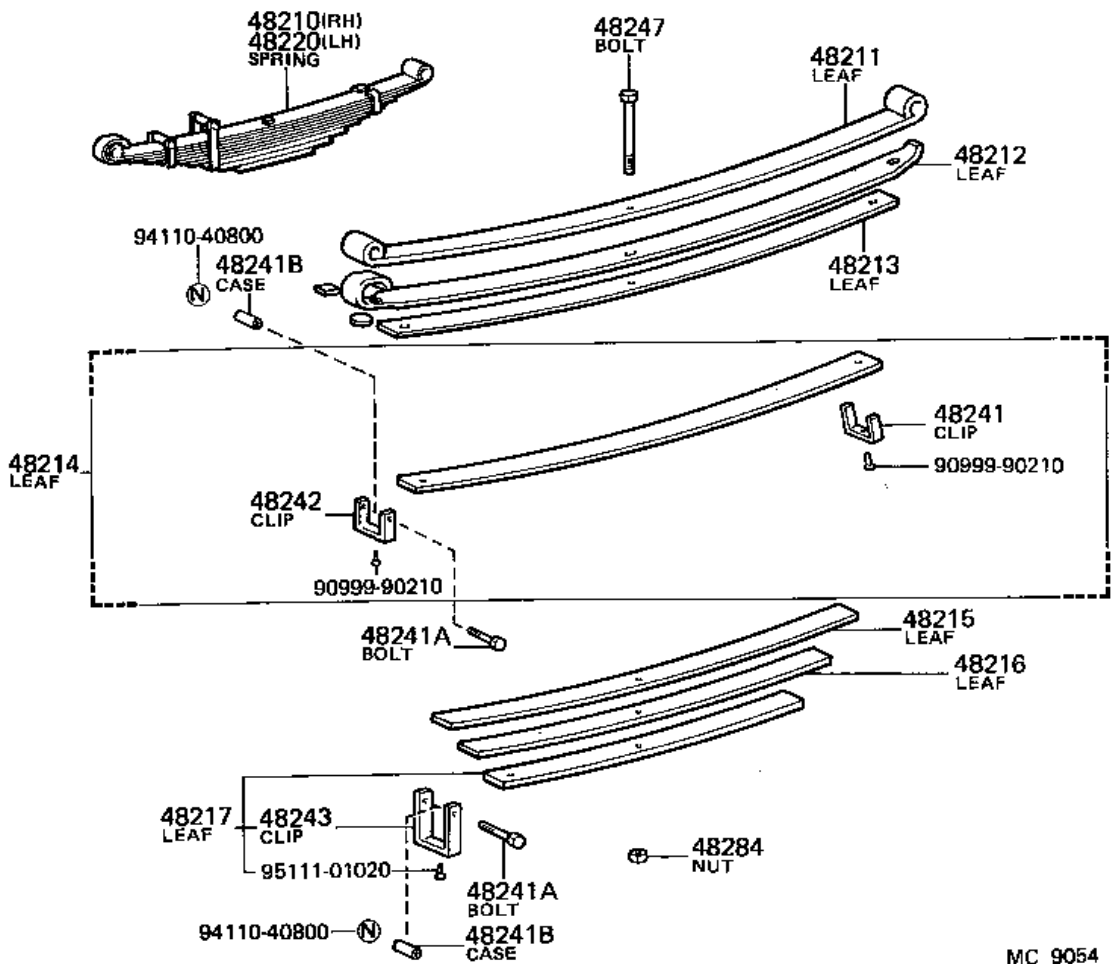


( -8210) BJ43, 46, FJ43  
(8210- ) BJ43, FJ43



MC 7166-D

\*1 ( -8401)  
\*2 (8401- )



MC 9054